

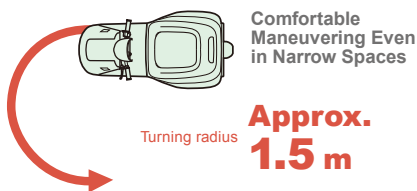
7CBT/7CBTY



Note: Rear-view mirrors and brake light are optional equipment.

Simple and Compact with High Performance

Compact Design



Simple Operation



The steering handlebars enable operation like a motor scooter. Accelerator-off regenerative braking ensures less braking effort and less wear on the brakes.



The single-touch canceling turn signal switch and direction switch provide good operability.



Operator-friendly



* Stand-up Type



Adjustable drawbar enables a good fit for various trailers.



This convenient storage box can hold small articles.

Safety

Operator Presence Sensing System **OPS**

This system uses a switch sensor built into the operator's seat or floor to detect the presence of the operator. If the operator is not in the normal operating position, travel power is interrupted.*

* Always set the parking brake before leaving the towing tractor unattended.

Serviceability



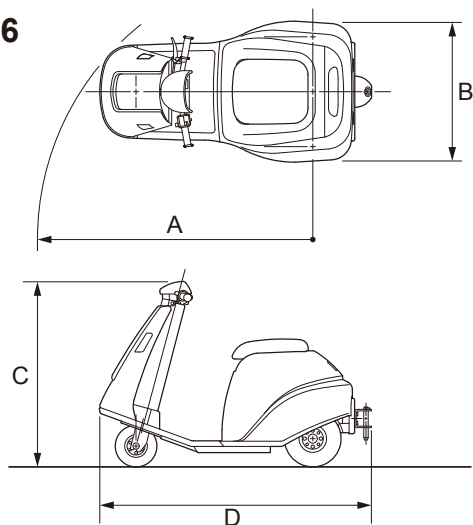
The fully opening battery hood provides easy access for servicing.



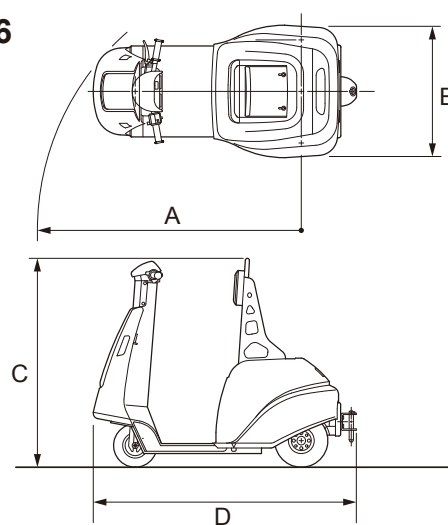
MAIN SPECIFICATIONS

Model			7CBT06	7CBTY06
Operator Position			Sit-down	Stand-up
Maximum Drawbar Pull	3-minute Ratings	N (kgf)	450 (45)	450 (45)
Rated Drawbar Pull	60-minute Ratings	N (kgf)	150 (15)	150 (15)
Towed Weight	60-minute Ratings	kg	600	600
Travel Speed	No load (Towed load)	km/h	8.5 (7.5)	8.5 (7.5)
Gradeability	3-minute Ratings	%	17	16
Total Weight	w/o Battery	kg	130	150
Turning Radius (Outside)	A	mm	1480	1510
Overall Width	B	mm	745	745
Overall Height	C	mm	995	1195
Overall Length	D	w/Hitch	mm	1460
		w/o Hitch	mm	1370
Floor Height		mm	140	135
Tire	Type	Front / Rear	Pneumatic / Pneumatic	Pneumatic-shaped Cushion / Pneumatic
	Size	Front / Rear	2.50-4-6PR / 3.50-5-6PR	3.00-5 / 3.50-5-6PR
Battery	Voltage / Capacity	5-hour Rating	V/AH	24/100
Electric Motor	Drive		kW	DC 0.4
Control Type			Field effect transistor chopper	Field effect transistor chopper

7CBT06



7CBTY06



The data in this leaflet is determined based on our standard testing condition. Operating performance may vary depending on the actual specifications and condition of the vehicle, as well as the conditions of the operating area. Due to photography and printing, color of actual vehicle may vary from this leaflet. Some photos have been computer-enhanced. Availability and specifications are determined regionally and are subject to change without notice. Please consult your Toyota representative for details.



Website



YouTube

All rights reserved by Toyota Industries Corporation.