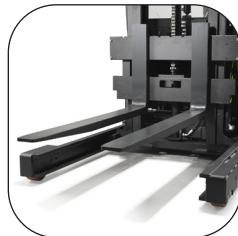


Pedestrian stacker truck 1.2 ton

BT staxio
W-series
SWE120XR



Pedestrian stacker

Specifications				SWE120XR	
Identification	1.1	Manufacturer			Toyota
	1.2	Model			SWE120XR
	1.3	Drive			Electric
	1.4	Operator type			Pedestrian
	1.5	Load capacity/rated load	Q	kg	1200
	1.6	Load center	c	mm	600
	1.8	Load distance, centre of support arm wheel to face of forks	x	mm	DXT/DXH = 677, TX = 660
	1.9	Wheelbase	y	mm	1505
	Weight	2.1	Service weight incl. battery		kg
2.3		Axle load, mast retracted without load, drive/fork wheel		kg	1220/610
2.4		Axle load, mast extended with load, drive/fork wheel		kg	230/2800
2.5		Axle load, mast retracted with load, drive/fork wheel		kg	1200/1830
Wheels		3.1	Drive/caster/fork wheel		
	3.2	Wheel size, front		mm	250
	3.3	Wheel size, rear		mm	140
	3.7	Track width, rear	b_{11}	mm	810/995
Dimensions	4.2	Height, mast lowered	h_1	mm	2459
	4.3	Free lift	h_2	mm	1934
	4.4	Lift	h_3	mm	5350
		Lift height	h_{23}	mm	5400
	4.5	Height, mast extended	h_4	mm	5920
	4.9	Height of tiller in drive position, min./max.	h_{14}	mm	950/1360
	4.10	Height of support arms	h_8	mm	160
	4.15	Height, fork lowered	h_{13}	mm	50
	4.19	Overall length	l_1	mm	2145
	4.20	Length to face of forks	l_2	mm	995
	4.21	Overall width	b_1/b_2	mm	900/1085
	4.22	Fork dimensions	$s/e/l$	mm	40/100/1150
	4.25	Width over forks	b_5	mm	Wide = 250-750, Narrow = 250-570
	4.26	Distance between support arms	b_4	mm	665/850
	4.28	Reach distance	l_4	mm	790
	4.31	Ground clearance, below mast	m_1	mm	30
	4.32	Ground clearance, center of wheelbase	m_2	mm	40
	4.33	Aisle width for pallets 1000x1200 crossways	A_{st}	mm	2551
4.34	Aisle width for pallets 800x1200 lengthways	A_{st}	mm	2528	
4.35	Turning radius	W_a	mm	1670	
4.37	Length across support arms	l_7	mm	1830	
Performance data	5.1	Travel speed, with/without load		km/h	6,0/6,0
	5.2	Lift speed, with/without load		m/s	0,20/0,36
	5.3	Lowering speed, with/without load		m/s	0,45/0,45
	5.4	Reach speed, with/without load		m/s	0,15/0,15
	5.8	Max. gradeability, with/without load ¹⁾		%	8/10
	5.9	Acceleration time (over 10 m)		s	6,8
	5.10	Service brake			Electromagnetic
Electric motor	6.1	Drive motor rating (S2 60min)		kW	1,8
	6.2	Lift motor rating (S3 15%)		kW	3
	6.4	Battery voltage, nominal capacity K_s		V/Ah	24/300
	6.5	Battery weight		kg	195-270
	6.6	Energy consumption acc to VDI cycle		kWh/h	1,21
	Others	8.1	Type of drive control		
8.4		Sound level at the driver's ear according to EN 12 053		dB (A)	59

1) Measured according to company standard.

Data is based on standard truck and small battery compartment and TX HiLo 5400 mm mast

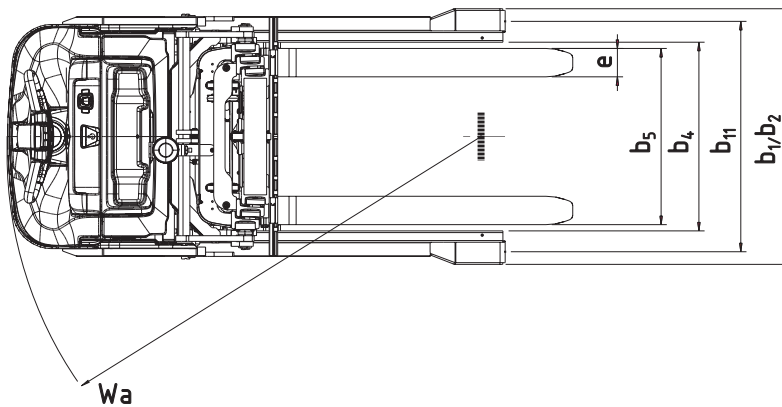
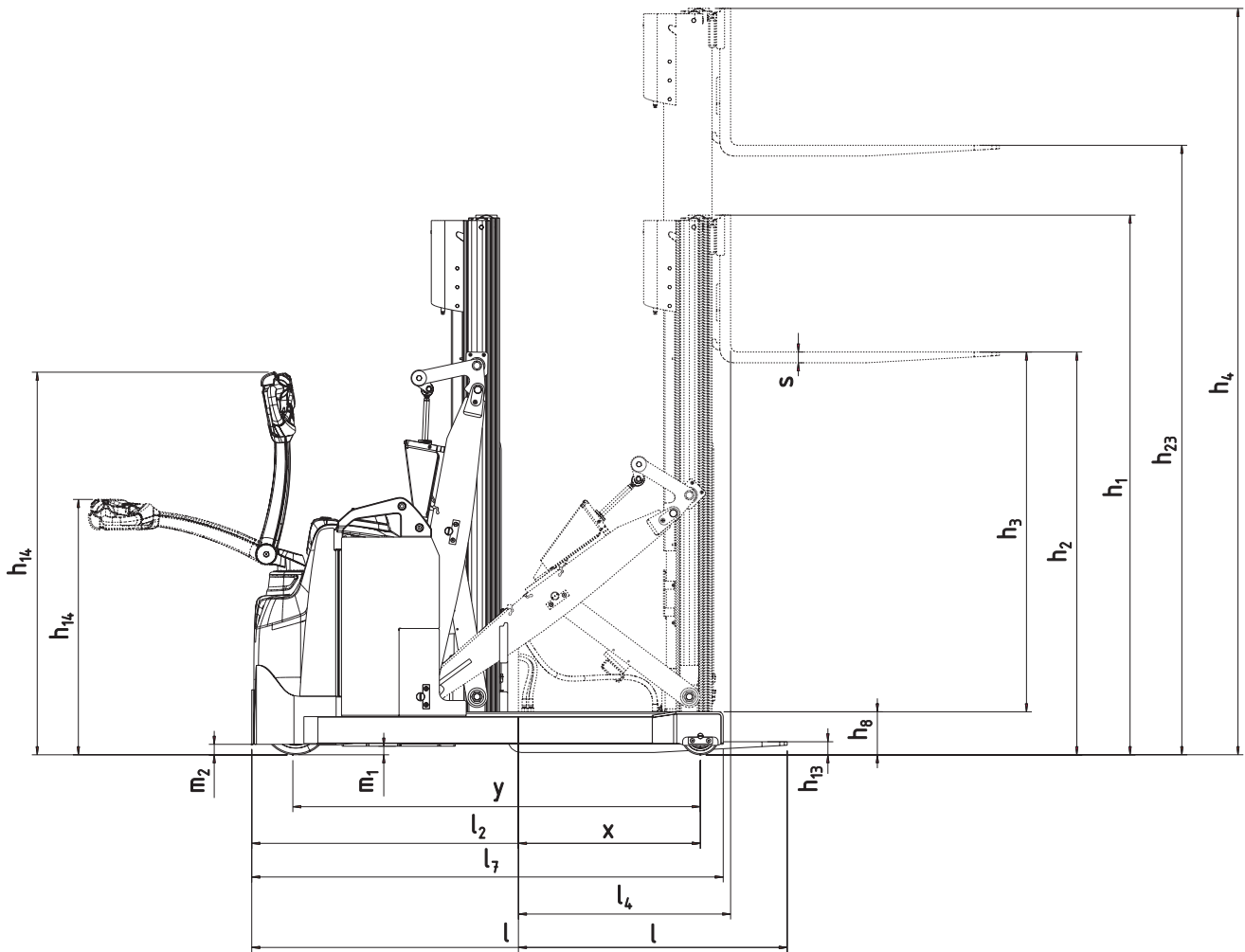
All data are based on table configuration. Other configurations may give other values.

Truck performance and dimensions are nominal and subject to tolerances.

Toyota Material Handling products and specifications are subject to change without notice.

Mast dimensions

SWE120XR			Duplex Tele Panoramic View							Duplex Hi-Lo					Triplex Hi-Lo						
h_{23}	Lift height ($h_{13}+h_3$)	mm	2300	2450	2750	3250	3650	4100	2350	2500	2800	3300	3700	4150	3300	3700	3950	4150	4500	4800	5400
h_3	Lift	mm	2250	2400	2700	3200	3600	4050	2300	2450	2750	3250	3650	4100	3250	3650	3900	4100	4450	4750	5350
h_1	Height, mast lowered	mm	1740	1815	1965	2215	2415	2640	1740	1815	1965	2215	2415	2640	1759	1892	1975	2042	2159	2259	2459
h_2	Free lift	mm	132	132	132	132	132	1242	1316	1466	1716	1916	2142	1234	1366	1450	1516	1634	1734	1934	
h_4	Height, mast extended	mm	2798	2948	3248	3748	4148	4598	2880	3030	3330	3830	4230	4680	3820	4219	4468	4669	5020	5320	5920



Truck features:

- 180°+ Power/Electronic steering
- Optimised Truck Performance
- Reach mast with Pantograph fork mechanism
- Mast tilt
- Adjustable fork width
- Sensi-lift
- Click-2-Creep
- Electronic fingertip controls for all functions
- Access control
- Driver-adapted programmable performance
- Easy access for maintenance
- Sideshift and spreader attachment (option)
- I_Site (option)
- Li-Ion battery (option)
- Coldstore version (option)

