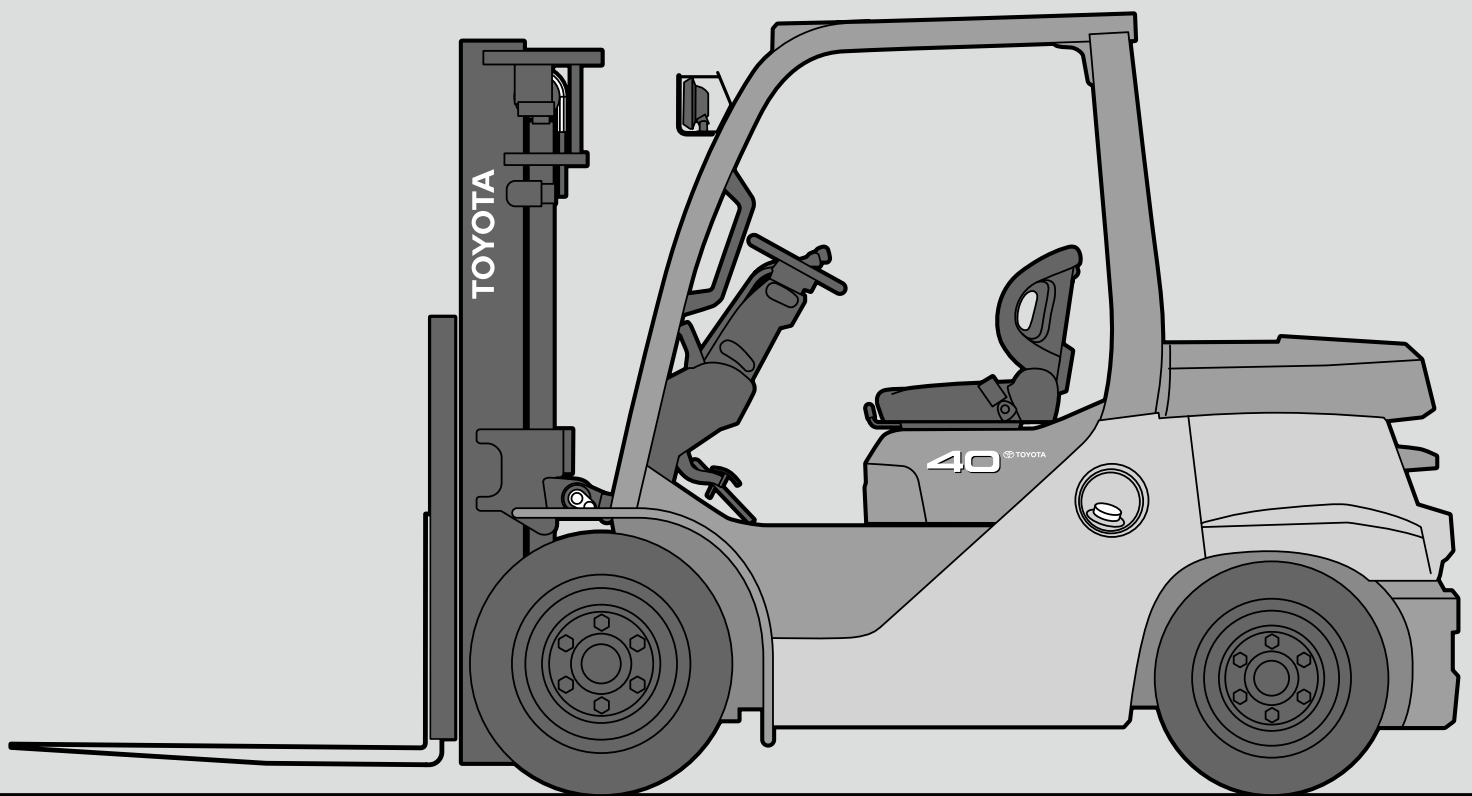


ENGINE POWERED FORKLIFT

8FG/8FD 3.5 to 8.0 Ton
Series



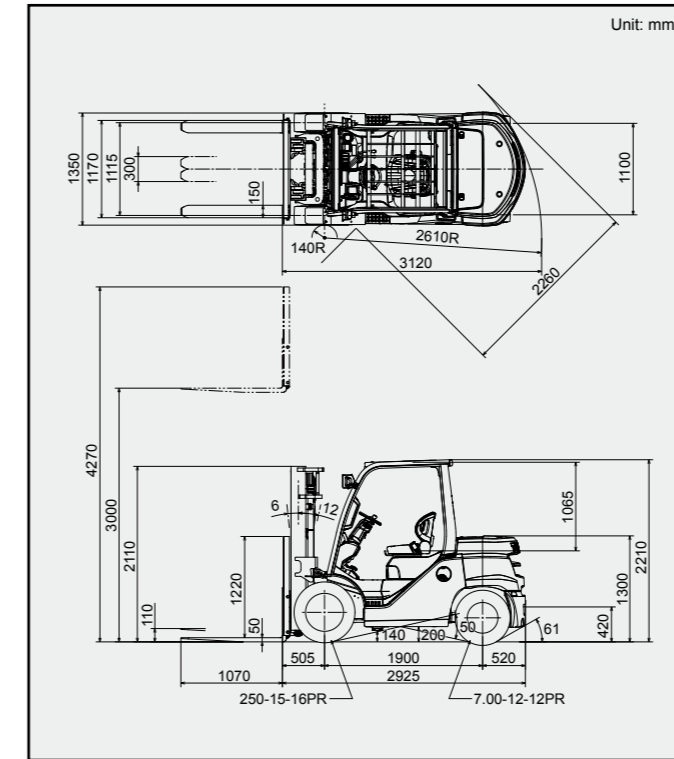
 **TOYOTA**

MAIN VEHICLE SPECIFICATIONS

			TOYOTA	TOYOTA		
			8FG35N	8FD35N		
Characteristics	Manufacturer		TOYOTA	TOYOTA		
	Model		8FG35N	8FD35N		
	Load Capacity	kg	3500 [4000]	3500 [4000]		
	Load Center	mm	600 [500]	600 [500]		
Dimensions	Power Type		Gasoline	Diesel		
	Operator Position		Rider Seated	Rider Seated		
	Tire Type	Front/Rear	Pneumatic	Pneumatic		
	Wheels (x = driven)	Front/Rear	2x/2	2x/2		
	Maximum Fork Height (MFH)	mm	3000	3000		
	Free Lift	mm	110	110		
	Fork Size	T x W x L	50/150/1070	50/150/1070		
	Fork Spread (Outside)	MAX./MIN.	1170/300	1170/300		
	Tilt Range	FWD/BWD	deg	6/12		
	Length to Fork Face	mm	2925	2925		
	Overall Width	mm	1350	1350		
Mast Lowered Height	mm	2110	2110			
Mast Extended Height	mm	4270	4270			
Overhead Guard Height	mm	2210	2210			
Turning Radius (Outside)	mm	2610	2610			
Load Distance (Centerline of front axle to front face of forks)	mm	505	505			
Rear Overhang	mm	520	520			
Basic Right Angle Stacking Aisle Width (Add load length and clearance)	mm	3120	3120			
Performance	Speeds	Travel, Max. (FWD/RVS)	Full Load	km/h	23.0/23.0	22.0/22.0
			No Load	km/h	24.0/24.0	23.0/23.0
		Lifting	Full Load	mm/sec	525	510
			No Load	mm/sec	550	550
		Lowering	Full Load	mm/sec	530	530
			No Load	mm/sec	480	480
	Max. Drawbar Pull	Full Load	N <kg>	37000<3780>	36000<3670>	
		No Load	N <kg>	13400<1310>	13500<1320>	
	Gradeability at 1.5 km/h *	Full Load	% (tanθ)	34	32	
		No Load	% (tanθ)	43	42	
	Max. Gradeability *	Full Load	% (tanθ)	24	24	
No Load		% (tanθ)	24	24		
Weight	Total Weight		kg	5700	5800	
		Weight Distribution	Full Load	Front	kg	8090 [8670]
	Rear		kg	1110 [1030]	1165 [1090]	
	No Load	Front	kg	2550	2595	
Rear		kg	3150	3205		
Wheels and Tires	Tires	Number	Front/Rear	2/2	2/2	
		Size	Front	250-15-16PR	250-15-16PR	
	Rear		7.00-12-12PR	7.00-12-12PR		
	Wheelbase	mm	1900	1900		
	Tread	Front	mm	1115	1115	
		Rear	mm	1100	1100	
	Backrest Height	mm	1220	1220		
	Overhead Guard Clearance	mm	1065	1065		
	Counterweight Height	mm	1300	1300		
	Drawbar Pin Center Height	mm	420	420		
	Step Height	mm	440	440		
Floor Height	mm	760	760			
Underclearance (Full load)	Min. <Mast>	mm	120	120		
	Center of Wheelbase	mm	200	200		
Grade Clearance	Frame/Counterweight	% (tanθ)	50/61	50/61		
Brake	Service (Foot)		Hydraulic	Hydraulic		
	Parking		Hand	Hand		
Drive Unit and Control	Battery	Voltage/Capacity (5HR)	V/AH	12/48	12/64	
		Make/Model		TOYOTA 1FS	TOYOTA 14Z- II	
	Internal Combustion Engine	Rated Power/r.p.m.	kW (JIS ps)	65/2350 (88/2350)	56/2100 (76/2100)	
		Rated Torque/r.p.m.	N-m (JIS kg-m)	276/1600 (28.1/1600)	269/1600 (27.4/1600)	
		Number of Cylinder		4	6	
		Piston Displacement	cc	3685	5204	
	Transmission	Fuel Tank Capacity	liter	90	90	
		Type		Powershift	Powershift	
	Operating Pressure	Stage	FWD/RVS		1/1	
		For Attachments	Mpa (kg/cm ²)	18.1(185)	18.1(185)	

NOTE: * Computed values.
[] for 500 mm load center.

DIMENSIONAL DRAWINGS



SPECIAL TREAD

Front Tire Single/Dual	Single	Single	Dual	Dual
Front Tire Size	250-15-16PR	250-15	28x8-15-12PR	7.00-15
Overall Width	mm	1350	1690	1690
Tread, Front	mm	1115	1260	1260

UNDERCLEARANCE

Component	mm
Mast (Full Load)	120
Drive Axle (Full Load)	170
Steer Axle (No Load)	210
Center of Wheelbase (Full Load)	200
Counterweight (No Load)	200

RATED CAPACITIES

Unit: kg (W)

V, FV Mast (PN or PSC)

A (mm)	3000	3300	3500	3700	4000	4500	5000
[500]	[4000]	[4000]	[4000]	[4000]	[4000]	[4000]	[3800]
600	3500	3500	3500	3500	3500	3500	3500
700	3210	3210	3210	3210	3210	3210	3210
800	2960	2960	2960	2960	2960	2960	2960
900	2750	2750	2750	2750	2750	2750	2750
1000	2570	2570	2570	2570	2570	2570	2570
1100	2410	2410	2410	2410	2410	2410	2410
1200	2270	2270	2270	2270	2270	2270	2270
1300	2140	2140	2140	2140	2140	2140	2140
1400	2030	2030	2030	2030	2030	2030	2030
1500	1930	1930	1930	1930	1930	1930	1930

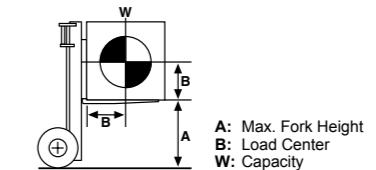
[] for 500 mm load center.

FSV Mast (PN or PSC)

A (mm)	4000	4300	4500	4700	5000	5500	6000	6500	7000
[500]	[4000]	[3800]	[3700]	[3700]	[3600]	[3500]	[3400]	[3300]	[3200]
600	3500	3500	3500	3500	3400	2800	2100	1300	700
700	3220	3220	3220	3220	3120	2570	1930	1190	640
800	2980	2980	2980	2980	2890	2380	1790	1110	600
900	2770	2770	2770	2770	2690	2210	1660	1030	550
1000	2590	2590	2590	2590	2510	2070	1550	960	520
1100	2430	2430	2430	2430	2360	1940	1460	900	490
1200	2290	2290	2290	2290	2220	1830	1370	850	460
1300	2160	2160	2160	2160	2100	1730	1300	800	430
1400	2050	2050	2050	2050	1990	1640	1230	760	410
1500	1950	1950	1950	1950	1900	1560	1170	730	390

< > for dual tire models (PN or PSC)

[] for 500 mm load center.



MAST SPECIFICATIONS & RATED CAPACITIES

Mast Type	Maximum Fork Height	Lowered	Overall Height		Free Lift		Single Tire		Dual Tire			
			Extended		Without Load Backrest	With Standard Load Backrest	Tilt Range	Load Capacity at 600 mm [500 mm] LC	Tilt Range	Load Capacity at 600 mm [500 mm] LC		
			Without Load Backrest	With Standard Load Backrest							FWD	BWD
mm	mm	mm	mm	mm	mm	deg	deg	kg	deg	deg	kg	
Wide Visible Mast (V)	3000	2110	3850	4270	110	110	6	12	3500 [4000]	6	12	3500 [4000]
	3300	2290	4150	4570	110	110	6	12	3500 [4000]	6	12	3500 [4000]
	3500	2390	4350	4770	110	110	6	12	3500 [4000]	6	12	3500 [4000]
	3700	2490	4550	4970	110	110	6	12	3500 [4000]	6	12	3500 [4000]
	4000	2740	4850	5270	110	110	6	12	3500 [4000]	6	12	3500 [4000]
Wide Visible Full-Free Lift Two-Stage Mast (FV)	3000	2110	3880	4270	1280	890	6	12	3500 [4000]	6	12	3500 [4000]
	3300	2290	4180	4570	1460	1070	6	12	3500 [4000]	6	12	3500 [4000]
	3500	2390	4380	4770	1560	1170	6	12	3500 [4000]	6	12	3500 [4000]
	3700	2490	4580	4970	1660	1270	6	12	3500 [4000]	6	12	3500 [4000]
	4000	2740	4880	5270	1910	1520	6	12	3500 [4000]	6	12	3500 [4000]
Wide Visible Full-Free Lift Three-Stage Mast (FSV)	4000	2110	4880	5270	1280	890	6	6	3500 [4000]	6	6	3500 [4000]
	4300	2160	5180	5570	1330	940	6	6	3500 [3800]	6	6	3500 [3800]
	4500	2225	5380	5770	1395	1005	6	6	3500 [3700]	6	6	3500 [3700]
	4700	2290	5580	5970	1460	1070	6	6	3500 [3700]	6	6	3500 [3700]
	5000	2390	5880	6270	1560	1170	6	6	3400 [3600]	6	6	3400 [3600]
Operating Pressure	5500	2540	6380	6770	1710	1320	6	6	2800 [3000]	6	6	3300 [3500]
	6000	2740	6880	7270	1910	1520	6	6	2100 [2200]	6	6	3200 [3400]
	6500	2990	7380	7770	2160	1770	6	6	1300 [1300]	6	6	2500 [2500]
	7000	3240	7880	8270	2410	2020	6	6	700 [700]	6	6	1600 [1600]

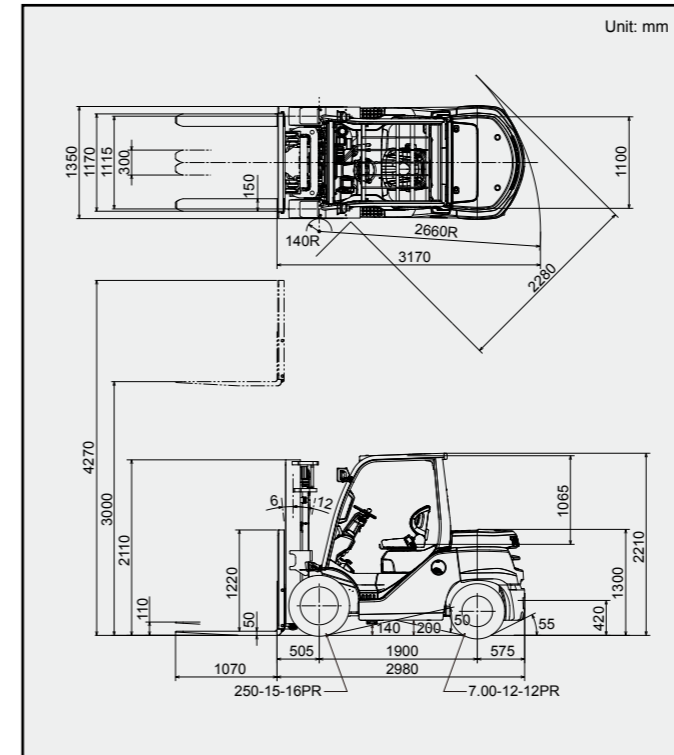
NOTE: Height of standard load backrest is 1220 mm.

MAIN VEHICLE SPECIFICATIONS

		TOYOTA	TOYOTA		
Characteristics	Manufacturer				
	Model	8FG40N	8FD40N		
	Load Capacity	kg	4000 [4500]		
	Load Center	mm	600 [500]		
Dimensions	Power Type		Gasoline		
	Operator Position		Rider Seated		
	Tire Type	Front/Rear	Pneumatic		
	Wheels (x = driven)	Front/Rear	2x/2		
	Maximum Fork Height (MFH)	mm	3000		
	Free Lift	mm	110		
	Fork Size	T x W x L	50/150/1070		
	Fork Spread (Outside)	MAX./MIN.	1170/300		
	Tilt Range	FWD/BWD	6/12		
	Length to Fork Face	mm	2980		
Performance	Overall Width	mm	1350		
	Mast Lowered Height	mm	2110		
	Mast Extended Height	mm	4270		
	Overhead Guard Height	mm	2210		
	Turning Radius (Outside)	mm	2660		
	Load Distance (Centerline of front axle to front face of forks)	mm	505		
	Rear Overhang	mm	575		
	Basic Right Angle Stacking Aisle Width (Add load length and clearance)	mm	3170		
	Speeds	Travel, Max. (FWD/RVS)	Full Load	km/h	23.0/23.0
			No Load	km/h	24.0/24.0
Lifting		Full Load	mm/sec	525	
		No Load	mm/sec	550	
Lowering		Full Load	mm/sec	530	
		No Load	mm/sec	480	
Max. Drawbar Pull	Full Load	N <kg>	36000<3670>		
Gradeability at 1.5 km/h *	Full Load	% (tanθ)	32		
	No Load	% (tanθ)	21		
Weight	Total Weight		kg	6070	
			kg	6170	
	Weight Distribution	Full Load	Front	kg	8810 [9360]
			Rear	kg	1260 [1210]
	No Load	Front	kg	2480	
		Rear	kg	3590	
Tires	Number	Front/Rear		2/2	
		Size	Front	250-15-16PR	
		Rear			7.00-12-12PR
					7.00-12-12PR
Wheelbase	mm	1900			
Tread	Front	mm	1115		
	Rear	mm	1100		
Backrest Height	mm	1220			
Overhead Guard Clearance	mm	1065			
Counterweight Height	mm	1300			
Drawbar Pin Center Height	mm	420			
Step Height	mm	440			
Floor Height	mm	760			
Underclearance (Full load)	Min. <Mast>	mm	120		
	Center of Wheelbase	mm	200		
Grade Clearance	Frame/Counterweight	% (tanθ)	50/55		
Brake	Service (Foot)		Hydraulic		
	Parking		Hand		
Battery	Voltage/Capacity (5HR)	V/AH	12/48		
	Make/Model		TOYOTA 1FS		
	Rated Power/r.p.m.	kW (JIS ps)	65/2350 (88/2350)		
	Rated Torque/r.p.m.	N-m (JIS kg-m)	276/1600 (28.1/1600)		
Internal Combustion Engine	Number of Cylinder		4		
	Piston Displacement	cc	3685		
	Fuel Tank Capacity	liter	90		
	Type		Powershift		
Transmission	Stage	FWD/RVS	1/1		
	Operating Pressure	For Attachments	Mpa (kg/cm ²)	18.1(185)	

NOTE: * Computed values.
[] for 500 mm load center.

DIMENSIONAL DRAWINGS

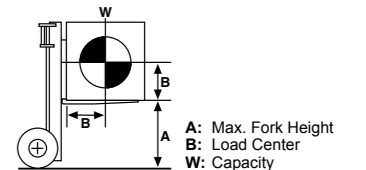


SPECIAL TREAD

Front Tire Single/Dual	Single	Single	Dual	Dual
Front Tire Size	250-15-16PR	250-15	28x8-15-12PR	7.00-15
Overall Width	mm	1350	1690	1690
Tread, Front	mm	1115	1260	1260

UNDERCLEARANCE

Mast (Full Load)	120
Drive Axle (Full Load)	170
Steer Axle (No Load)	210
Center of Wheelbase (Full Load)	200
Counterweight (No Load)	200



MAST SPECIFICATIONS & RATED CAPACITIES

Mast Type	Maximum Fork Height	Overall Height		Free Lift		Single Tire		Dual Tire		
		Lowered	Extended		Without Load Backrest	With Standard Load Backrest	Tilt Range		Tilt Range	
			Without Load Backrest	With Standard Load Backrest			FWD	BWD	FWD	BWD
Wide Visible Mast (V)	3000	2110	3850	4270	110	110	6	12	6	12
	3300	2290	4150	4570	110	110	6	12	6	12
	3500	2390	4350	4770	110	110	6	12	6	12
	3700	2490	4550	4970	110	110	6	12	6	12
	4000	2740	4850	5270	110	110	6	12	6	12
	4500	2990	5350	5770	110	110	6	6	6	12
Wide Visible Full-Free Lift Two-Stage Mast (FV)	3000	2110	3880	4270	1280	890	6	12	6	12
	3300	2290	4180	4570	1460	1070	6	12	6	12
	3500	2390	4380	4770	1560	1170	6	12	6	12
	3700	2490	4580	4970	1660	1270	6	12	6	12
	4000	2740	4880	5270	1910	1520	6	12	6	12
	Wide Visible Full-Free Lift Three-Stage Mast (FSV)	4000	2110	4880	5270	1280	890	6	6	6
4300		2160	5180	5570	1330	940	6	6	6	6
4500		2225	5380	5770	1395	1005	6	6	6	6
4700		2250	5580	5970	1460	1070	6	6	6	6
5000		2390	5880	6270	1560	1170	6	6	6	6
5500		2540	6380	6770	1710	1320	6	6	6	6

NOTE: Height of standard load backrest is 1220 mm.

RATED CAPACITIES

Unit: kg (W)

V, FV Mast (PN or PSC)										
A (mm)	3000	3300	3500	3700	4000	4500	5000	5500	6000	
	[500]	[4500]	[4500]	[4500]	[4500]	[4500]	[4200]	[3250]	[2500]	
	600	4000	4000	4000	4000	4000	4000	3250	2500	
	700	3670	3670	3670	3670	3670	3670	2980	2290	
	800	3390	3390	3390	3390	3390	3390	2750	2120	
	900	3150	3150	3150	3150	3150	3150	2560	1970	
	1000	2940	2940	2940	2940	2940	2940	2390	1840	
	1100	2750	2750	2750	2750	2750	2750	2240	1720	
	1200	2590	2590	2590	2590	2590	2590	2110	1620	
	1300	2450	2450	2450	2450	2450	2450	1990	1530	
	1400	2320	2320	2320	2320	2320	2320	1890	1450	
	1500	2200	2200	2200	2200	2200	2200	1790	1380	

< > for dual tire models (PN or PSC)

[] for 500 mm load center.

FSV Mast (PN or PSC)

FSV Mast (PN or PSC)										
A (mm)	4000	4300	4500	4700	5000	5500	6000	6500	7000	
	[500]	[4500]	[4500]	[4500]	[4400]	[3500]	[2700]	[1800]	[1000]	
	600	4000	4000	4000	4000	3500	2700	1800	1000	
	700	3680	3680	3680	3680	3220	2480	1650	920	
	800	3400	3400	3400	3400	2980	2300	1530	850	
	900	3160	3160	3160	3160	2770	2140	1420	790	
	1000	2960	2960	2960	2960	2590	2000	1330	740	
	1100	2780	2780	2780	2780	2430	1870	1250	690	
	1200	2620	2620	2620	2620	2290	1770	1180	650	
	1300	2470	2470	2470	2470	2160	1670	1100	620	
	1400	2350	2350	2350	2350	2050	1580	1060	590	
	1500	2230	2230	2230	2230	1950	1510	1000	560	

< > for dual tire models (PN or PSC)

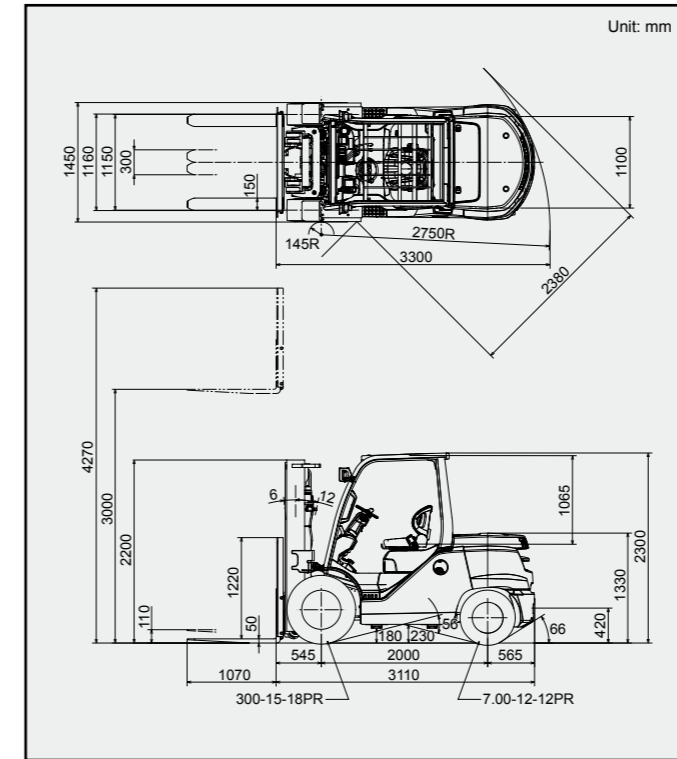
[] for 500 mm load center.

MAIN VEHICLE SPECIFICATIONS

			TOYOTA	TOYOTA		
Characteristics	Manufacturer		TOYOTA	TOYOTA		
	Model		8FG45N	8FD45N		
	Load Capacity	kg	4500 [4990]	4500 [4990]		
	Load Center	mm	600 [500]	600 [500]		
Dimensions	Power Type		Gasoline	Diesel		
	Operator Position		Rider Seated	Rider Seated		
	Tire Type	Front/Rear	Pneumatic	Pneumatic		
	Wheels (x = driven)	Front/Rear	2x/2	2x/2		
	Maximum Fork Height (MFH)	mm	3000	3000		
	Free Lift	mm	110	110		
	Fork Size	T x W x L	50/150/1070	50/150/1070		
	Fork Spread (Outside)	MAX./MIN.	1160/300	1160/300		
	Tilt Range	FWD/BWD	6/12	6/12		
	Length to Fork Face	mm	3110	3110		
	Overall Width	mm	1450	1450		
	Mast Lowered Height	mm	2200	2200		
Mast Extended Height	mm	4270	4270			
Overhead Guard Height	mm	2300	2300			
Turning Radius (Outside)	mm	2750	2750			
Load Distance (Centerline of front axle to front face of forks)	mm	545	545			
Rear Overhang	mm	565	565			
Basic Right Angle Stacking Aisle Width (Add load length and clearance)	mm	3300	3300			
Performance	Speeds	Travel, Max. (FWD/RVS)	Full Load	km/h	23.5/23.5	22.5/22.5
		No Load	km/h	24.0/24.0	23.5/23.5	
	Lifting	Full Load	mm/sec	480	480	
		No Load	mm/sec	520	520	
	Lowering	Full Load	mm/sec	540	540	
		No Load	mm/sec	490	490	
Max. Drawbar Pull	Full Load	N <kg>	36000<3670>	37000<3780>		
No Load	N <kg>	15000<1530>	15000<1530>			
Gradeability at 1.5 km/h *	Full Load	% (tanθ)	30	27		
Max. Gradeability *	Full Load	% (tanθ)	38	35		
No Load	% (tanθ)	22	22			
Weight	Total Weight	kg	6610	6710		
	Weight Distribution	Full Load	Front	kg	9900 [10430]	9940 [10500]
			Rear	kg	1210 [1170]	1270 [1200]
		No Load	Front	kg	2830	2870
Rear			kg	3780	3840	
Wheels and Tires	Tires	Number	Front/Rear	2/2	2/2	
		Size	Front	300-15-18PR	300-15-18PR	
		Rear	7.00-12-12PR	7.00-12-12PR		
	Wheelbase	mm	2000	2000		
	Tread	Front	mm	1150	1150	
		Rear	mm	1100	1100	
	Backrest Height	mm	1220	1220		
	Overhead Guard Clearance	mm	1065	1065		
	Counterweight Height	mm	1330	1330		
	Drawbar Pin Center Height	mm	420	420		
Step Height	mm	540	540			
Floor Height	mm	855	855			
Underclearance (Full load)	Min. <Mast>	mm	120	120		
	Center of Wheelbase	mm	230	230		
Grade Clearance	Frame/Counterweight	% (tanθ)	56/66	56/66		
Brake	Service (Foot)		Hydraulic	Hydraulic		
	Parking		Hand	Hand		
Battery	Voltage/Capacity (5HR)	V/AH	12/48	12/64		
Drive Unit and Control	Internal Combustion Engine	Make/Model		TOYOTA 1FS	TOYOTA 14Z- II	
		Rated Power/r.p.m.	kW (JIS ps)	65/2350 (88/2350)	56/2100 (76/2100)	
		Rated Torque/r.p.m.	N-m (JIS kg-m)	276/1600 (28.1/1600)	269/1600 (27.4/1600)	
		Number of Cylinder		4	6	
		Piston Displacement	cc	3685	5204	
		Fuel Tank Capacity	liter	120	120	
		Transmission	Type		Powershift	Powershift
Stage	FWD/RVS		1/1	1/1		
Operating Pressure	For Attachments	Mpa (kg/cm ²)	18.1(185)	18.1(185)		

NOTE: * Computed values.
[] for 500 mm load center.

DIMENSIONAL DRAWINGS

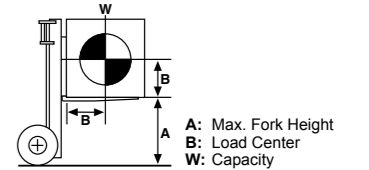


SPECIAL TREAD

Front Tire Single/Dual	Single	Single	Dual	Dual
Front Tire Size	300-15-18PR	300-15	8.25-15-14PR	8.25-15
Overall Width	mm	1450	1890	1890
Tread, Front	mm	1150	1385	1385

UNDERCLEARANCE

Mast (Full Load)	120
Drive Axle (Full Load)	215
Steer Axle (No Load)	210
Center of Wheelbase (Full Load)	230
Counterweight (No Load)	200



MAST SPECIFICATIONS & RATED CAPACITIES

Mast Type	Maximum Fork Height	Overall Height		Free Lift		Single Tire		Dual Tire				
		Lowered	Extended		Without Load Backrest	With Standard Load Backrest	Tilt Range	Load Capacity at 600 mm [500 mm] LC	Tilt Range	Load Capacity at 600 mm [500 mm] LC		
			Without Load Backrest	With Standard Load Backrest							Pneumatic Tire/ Pneumatic-Shaped Cushion Tire	Pneumatic Tire/ Pneumatic-Shaped Cushion Tire
mm	mm	mm	mm	mm	mm	FWD	BWD	FWD	BWD	kg	deg	kg
Wide Visible Mast (V)	3000	2200	3690	4270	110	110	6	12	4500 [5000]	6	12	4500 [5000]
	3300	2350	3990	4570	110	110	6	12	4500 [5000]	6	12	4500 [5000]
	3500	2450	4190	4770	110	110	6	12	4500 [5000]	6	12	4500 [5000]
	3700	2600	4420	4970	110	110	6	12	4500 [5000]	6	12	4500 [5000]
	4000	2800	4770	5270	110	110	6	12	4500 [5000]	6	12	4500 [5000]
	5000	3050	5270	5770	110	110	6	6	4500 [5000]	6	12	4500 [5000]
Wide Visible Full-Free Lift Two-Stage Mast (FV)	3000	2200	3740	4270	1510	980	6	12	4500 [5000]	6	12	4500 [5000]
	3300	2350	4040	4570	1660	1130	6	12	4500 [5000]	6	12	4500 [5000]
	3500	2450	4240	4910	1760	1230	6	12	4500 [5000]	6	12	4500 [5000]
	3700	2600	4440	4970	1910	1380	6	12	4500 [5000]	6	12	4500 [5000]
	4000	2800	4740	5270	2110	1580	6	12	4500 [5000]	6	12	4500 [5000]
	Wide Visible Full-Free Lift Three-Stage Mast (FSV)	4000	2120	4740	5270	1430	900	6	6	4500 [5000]	6	6
4300		2200	5040	5570	1510	980	6	6	4500 [4900]	6	6	4500 [4900]
4500		2270	5240	5770	1580	1030	6	6	4200 [4500]	6	6	4400 [4700]
4700		2350	5440	5970	1660	1130	6	6	4200 [4500]	6	6	4400 [4700]
5000		2450	5740	6270	1760	1230	6	6	4000 [4000]	6	6	4300 [4600]
5500		2600	6240	6770	1910	1380	6	6	3000 [3000]	6	6	4100 [4400]
6000		2800	6740	7270	2110	1580	6	6	2300 [2300]	6	6	3900 [4200]
6500		3050	7240	7770	2360	1830	6	6	1500 [1500]	6	6	2700 [2700]

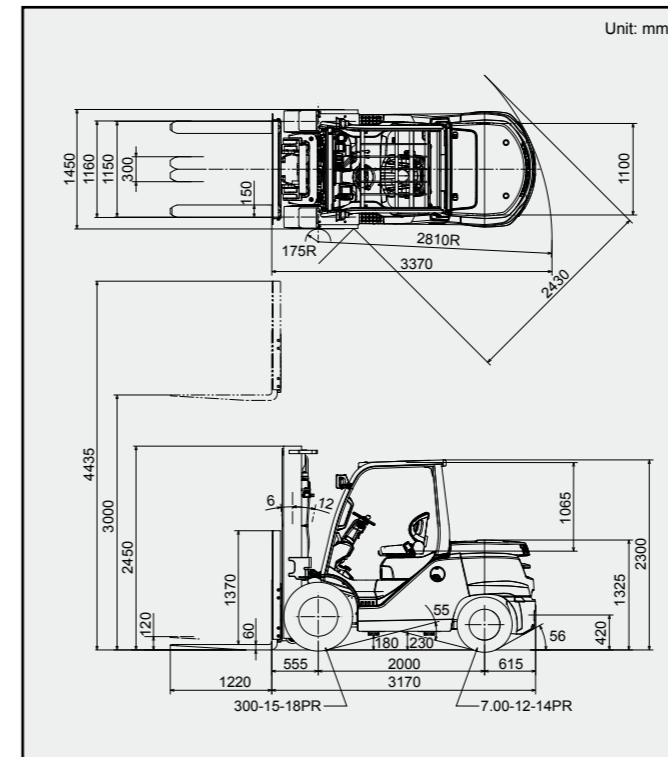
NOTE: Height of standard load backrest is 1220 mm.

MAIN VEHICLE SPECIFICATIONS

			TOYOTA	TOYOTA		
			8FG50N	8FD50N		
Characteristics	Manufacturer		TOYOTA	TOYOTA		
	Model		8FG50N	8FD50N		
	Load Capacity	kg	5000	5000		
	Load Center	mm	600	600		
Dimensions	Power Type		Gasoline	Diesel		
	Operator Position		Rider Seated	Rider Seated		
	Tire Type	Front/Rear	Pneumatic	Pneumatic		
	Wheels (x = driven)	Front/Rear	2x/2	2x/2		
	Maximum Fork Height (MFH)	mm	3000	3000		
	Free Lift	mm	120	120		
	Fork Size	T x W x L	60/150/1220	60/150/1220		
	Fork Spread (Outside)	MAX./MIN.	1160/300	1160/300		
	Tilt Range	FWD/BWD	6/12	6/12		
	Length to Fork Face	mm	3170	3170		
Overall Width	mm	1450	1450			
Mast Lowered Height	mm	2450	2450			
Mast Extended Height	mm	4435	4435			
Overhead Guard Height	mm	2300	2300			
Turning Radius (Outside)	mm	2810	2810			
Load Distance (Centerline of front axle to front face of forks)	mm	555	555			
Rear Overhang	mm	615	615			
Basic Right Angle Stacking Aisle Width (Add load length and clearance)	mm	3370	3370			
Performance	Speeds	Travel, Max. (FWD/RVS)	Full Load	km/h	23.5/23.5	22.5/22.5
			No Load	km/h	24.0/24.0	23.5/23.5
		Lifting	Full Load	mm/sec	490	480
			No Load	mm/sec	520	520
	Lowering	Full Load	mm/sec	540	540	
		No Load	mm/sec	490	490	
	Max. Drawbar Pull		Full Load	N <kg>	36000<3670>	35400<3600>
			No Load	N <kg>	16000<1630>	16000<1630>
Gradeability at 1.5 km/h *		Full Load	% (tanθ)	23	22	
Max. Gradeability *		Full Load	% (tanθ)	31	30	
		No Load	% (tanθ)	22	22	
Weight	Total Weight		kg	7140	7240	
	Weight Distribution	Full Load	Front	kg	10880	10930
			Rear	kg	1260	1310
		No Load	Front	kg	3000	3045
Rear			kg	4140	4195	
Wheels and Tires	Tires	Number	Front/Rear	2/2	2/2	
		Size	Front	300-15-18PR	300-15-18PR	
		Rear	7.00-12-14PR	7.00-12-14PR		
	Wheelbase		mm	2000	2000	
	Tread	Front	mm	1150	1150	
		Rear	mm	1100	1100	
	Backrest Height		mm	1370	1370	
	Overhead Guard Clearance		mm	1065	1065	
	Counterweight Height		mm	1325	1325	
	Drawbar Pin Center Height		mm	420	420	
Step Height		mm	540	540		
Floor Height		mm	855	855		
Underclearance (Full load)	Min. <Mast>	mm	120	120		
	Center of Wheelbase	mm	230	230		
Grade Clearance	Frame/Counterweight	% (tanθ)	55/66	55/66		
Brake	Service (Foot)		Hydraulic	Hydraulic		
	Parking		Hand	Hand		
Drive Unit and Control	Battery	Voltage/Capacity (5HR)	V/AH	12/48	12/64	
		Make/Model		TOYOTA 1FS	TOYOTA 14Z- II	
	Internal Combustion Engine	Rated Power/r.p.m.	kw (JIS ps)	65/2350 (88/2350)	56/2100 (76/2100)	
		Rated Torque/r.p.m.	N-m (JIS kg-m)	276/1600 (28.1/1600)	269/1600 (27.4/1600)	
		Number of Cylinder		4	6	
		Piston Displacement	cc	3685	5204	
	Transmission	Type		Powershift	Powershift	
		Stage	FWD/RVS	1/1	1/1	
	Operating Pressure	For Attachments	Mpa (kg/cm ²)	18.1(185)	18.1(185)	

NOTE: * Computed values.

DIMENSIONAL DRAWINGS



SPECIAL TREAD

Front Tire Single/Dual	Single	Single	Dual	Dual
Front Tire Size	300-15-18PR	300-15	8.25-15-14PR	8.25-15
Overall Width	mm	1450	1890	1890
Tread, Front	mm	1150	1385	1385

UNDERCLEARANCE

Mast (Full Load)	mm	120
Drive Axle (Full Load)	mm	210
Steer Axle (No Load)	mm	210
Center of Wheelbase (Full Load)	mm	230
Counterweight (No Load)	mm	200

MAST SPECIFICATIONS & RATED CAPACITIES

Mast Type	Maximum Fork Height	Overall Height		Free Lift		Single Tire			Dual Tire					
		Lowered	Extended		Without Load Backrest	With Standard Load Backrest	Tilt Range		Load Capacity at 600 mm LC	Tilt Range		Load Capacity at 600 mm LC		
			Without Load Backrest	With Standard Load Backrest			FWD	BWD		Pneumatic Tire/ Pneumatic-Shaped Cushion Tire	FWD		BWD	Pneumatic Tire/ Pneumatic-Shaped Cushion Tire
Wide Visible Mast (V)	2500	2200	3405	3935	125	125	6	12	5000	6	12	5000		
	2700	2350	3605	4135	125	125	6	12	5000	6	12	5000		
	3000	2450	3905	4435	125	125	6	12	5000	6	12	5000		
	3300	2600	4205	4735	125	125	6	12	5000	6	12	5000		
	3500	2800	4405	4935	125	125	6	12	5000	6	12	5000		
	3700	2800	4605	5135	125	125	6	12	5000	6	12	5000		
	4000	3050	4905	5435	125	125	6	12	5000	6	12	5000		
	4500	3300	5405	5935	125	125	6	6	5000	6	12	5000		
	5000	3550	5905	6435	125	125	6	6	4000	6	12	4800		
	Wide Visible Full-Free Lift Three-Stage Mast (FSV)	3700	2200	4635	5135	1330	830	6	6	5000	6	6	5000	
4000		2270	4935	5435	1400	900	6	6	4900	6	6	4900		
4300		2350	5235	5735	1480	980	6	6	4800	6	6	4800		
4700		2450	5635	6135	1580	1080	6	6	4300	6	6	4600		
5000		2600	5935	6435	1730	1230	6	6	4100	6	6	4500		
5500		2800	6435	6935	1930	1430	6	6	3100	6	6	4300		
6000		3050	6935	7435	2180	1680	6	6	2400	6	6	4100		

NOTE: Height of standard load backrest is 1370 mm.

RATED CAPACITIES

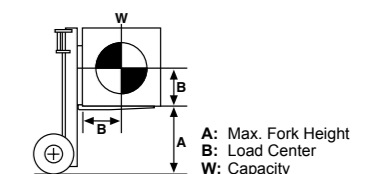
Unit: kg (W)

V Mast (PN or PSC)											
A (mm)	2500	2700	3000	3300	3500	3700	4000	4500	5000	5000	5000
600	5000	5000	5000	5000	5000	5000	5000	5000	5000	4000	<4800>
700	4600	4600	4600	4600	4600	4600	4600	4600	4600	3680	<4420>
800	4260	4260	4260	4260	4260	4260	4260	4260	4260	3410	<4090>
900	3970	3970	3970	3970	3970	3970	3970	3970	3970	3180	<3810>
1000	3710	3710	3710	3710	3710	3710	3710	3710	3710	2970	<3570>
1100	3490	3490	3490	3490	3490	3490	3490	3490	3490	2790	<3350>
1200	3290	3290	3290	3290	3290	3290	3290	3290	3290	2630	<3160>
1300	3110	3110	3110	3110	3110	3110	3110	3110	3110	2490	<2990>
1400	2950	2950	2950	2950	2950	2950	2950	2950	2950	2360	<2840>
1500	2810	2810	2810	2810	2810	2810	2810	2810	2810	2250	<2700>

< > for dual tire models (PN or PSC)

FSV Mast (PN or PSC)											
A (mm)	3700	4000	4300	4700	5000	5500	6000	6000	6000	6000	6000
600	5000	4900	4800	4300	4100	3100	2400	<4600>	<4500>	<4300>	<4100>
700	4610	4520	4430	3970	3780	2860	2210	<4240>	<4150>	<3970>	<3780>
800	4280	4190	4110	3680	3510	2650	2050	<3940>	<3850>	<3680>	<3510>
900	3990	3910	3830	3430	3270	2470	1920	<3670>	<3590>	<3430>	<3270>
1000	3740	3660	3590	3210	3070	2320	1790	<3440>	<3360>	<3210>	<3070>
1100	3520	3450	3380	3020	2880	2180	1690	<3240>	<3160>	<3020>	<2880>
1200	3320	3250	3190	2850	2720	2060	1590	<3050>	<2990>	<2850>	<2720>
1300	3140	3080	3020	2700	2580	1950	1510	<2890>	<2830>	<2700>	<2580>
1400	2980	2930	2870	2570	2450	1850	1430	<2750>	<2690>	<2570>	<2450>
1500	2840	2780	2730	2440	2330	1760	1360	<2610>	<2560>	<2440>	<2330>

< > for dual tire models (PN or PSC)

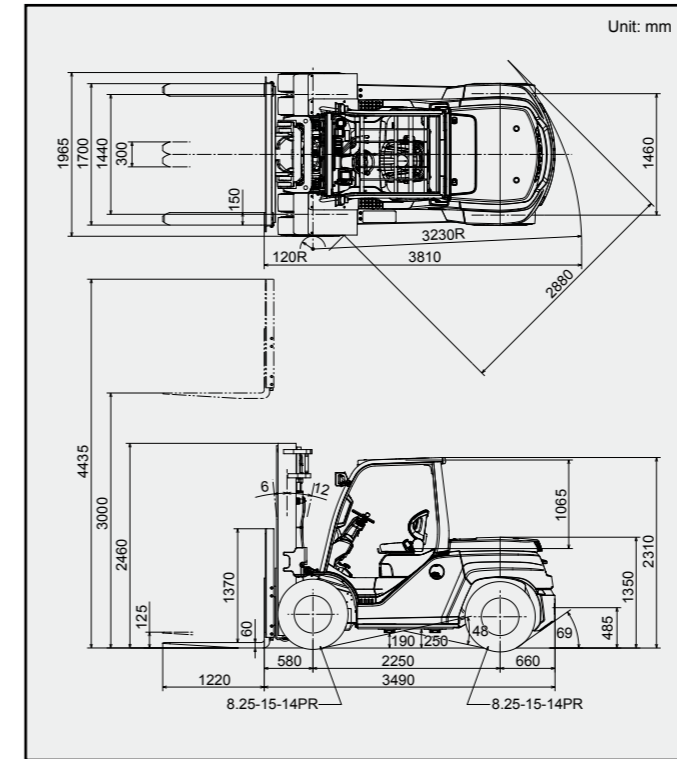


MAIN VEHICLE SPECIFICATIONS

			TOYOTA	TOYOTA		
Characteristics	Manufacturer		TOYOTA	TOYOTA		
	Model		8FG60N	8FD60N		
	Load Capacity	kg	6000	6000		
	Load Center	mm	600	600		
Dimensions	Power Type		Gasoline	Diesel		
	Operator Position		Rider Seated	Rider Seated		
	Tire Type	Front/Rear	Pneumatic	Pneumatic		
	Wheels (x = driven)	Front/Rear	4x/2	4x/2		
	Maximum Fork Height (MFH)	mm	3000	3000		
	Free Lift	mm	125	125		
	Fork Size	T x W x L	60X150X1220	60/150/1220		
	Fork Spread (Outside)	MAX./MIN.	1700/300	1700/300		
	Tilt Range	FWD/BWD	6/12	6/12		
	Length to Fork Face	mm	3490	3490		
Overall Width	mm	1965	1965			
Mast Lowered Height	mm	2460	2460			
Mast Extended Height	mm	4435	4435			
Overhead Guard Height	mm	2310	2310			
Turning Radius (Outside)	mm	3230	3230			
Load Distance (Centerline of front axle to front face of forks)	mm	580	580			
Rear Overhang	mm	660	660			
Basic Right Angle Stacking Aisle Width (Add load length and clearance)	mm	3810	3810			
Performance	Speeds	Travel, Max. (FWD/RVS)	Full Load	km/h	19.0/19.0	19.0/19.0
			No Load	km/h	21.0/21.0	20.5/20.5
		Lifting	Full Load	mm/sec	410	410
			No Load	mm/sec	440	440
	Lowering	Full Load	mm/sec	530	530	
		No Load	mm/sec	480	480	
	Max. Drawbar Pull	Full Load	N <kg>	46000<4690>	46000<4690>	
		No Load	N <kg>	20900<2130>	20500<2090>	
	Gradeability at 1.5 km/h *	Full Load	% (tanθ)	24	24	
		No Load	% (tanθ)	34	34	
Max. Gradeability *	Full Load	% (tanθ)	24	24		
	No Load	% (tanθ)	24	24		
Weight	Total Weight		kg	8370	8390	
	Weight Distribution	Full Load	Front	kg	12900	12860
			Rear	kg	1470	1530
		No Load	Front	kg	3750	3715
Rear			kg	4620	4675	
Wheels and Tires	Tires	Number	Front/Rear	4/2	4/2	
		Size	Front	8.25-15-14PR	8.25-15-14PR	
		Size	Rear	8.25-15-14PR	8.25-15-14PR	
			Wheelbase	mm	2250	2250
	Tread	Front	mm	1440	1440	
		Rear	mm	1460	1460	
	Backrest Height	mm	1370	1370		
	Overhead Guard Clearance	mm	1065	1065		
	Counterweight Height	mm	1350	1350		
	Drawbar Pin Center Height	mm	485	485		
Step Height	1st/2nd	mm	295/545	295/545		
Floor Height	mm	860	860			
Underclearance (Full load)	Min. <Mast>	mm	125	125		
	Center of Wheelbase	mm	250	250		
Grade Clearance	Frame/Counterweight	% (tanθ)	48/69	48/69		
Brake	Service (Foot)		Hydraulic	Hydraulic		
	Parking		Hand	Hand		
Drive Unit and Control	Battery		V/AH	12/48	12/64	
	Internal Combustion Engine	Make/Model		TOYOTA 1FS	TOYOTA 14Z- II	
		Rated Power/r.p.m.	kW (JIS ps)	69/2550 (93/2550)	66/2400 (90/2400)	
		Rated Torque/r.p.m.	N-m (JIS kg-m)	276/1600 (200/1600)	325/1000 (33.2/1000)	
		Number of Cylinder		4	6	
		Piston Displacement	cc	3685	5204	
		Fuel Tank Capacity	liter	130	130	
		Transmission	Type		Powershift	Powershift
		Stage	FWD/RVS	1/1	1/1	
		Operating Pressure	For Attachments	Mpa (kg/cm ²)	20.6(210)	20.6(210)

NOTE: * Computed values.

DIMENSIONAL DRAWINGS



SPECIAL TREAD

Front Tire Dual	Dual	Dual
Front Tire Size	8.25-15-14PR	8.25-15
Overall Width	mm	1965
Tread, Front	mm	1440

UNDERCLEARANCE mm

Mast (Full Load)	125
Drive Axle (Full Load)	215
Steer Axle (No Load)	270
Center of Wheelbase (Full Load)	250
Counterweight (No Load)	225

RATED CAPACITIES

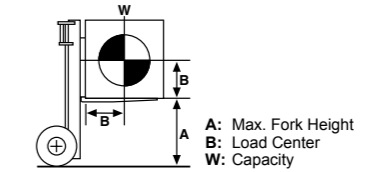
Unit: kg (W)

V Mast (PN or PSC)

A (mm)	3000	3300	3500	3700	4000	4500	5000	5500	6000
600	6000	6000	6000	6000	6000	6000	6000	6000	5700
700	5530	5530	5530	5530	5530	5530	5530	5530	5250
800	5130	5130	5130	5130	5130	5130	5130	5130	4870
900	4780	4780	4780	4780	4780	4780	4780	4780	4540
1000	4480	4480	4480	4480	4480	4480	4480	4480	4260
1100	4210	4210	4210	4210	4210	4210	4210	4210	4000
1200	3980	3980	3980	3980	3980	3980	3980	3980	3780
1300	3770	3770	3770	3770	3770	3770	3770	3770	3580
1400	3580	3580	3580	3580	3580	3580	3580	3580	3400
1500	3400	3400	3400	3400	3400	3400	3400	3400	3230

FSV Mast (PN or PSC)

A (mm)	4000	4300	4700	5000	6000	7000
600	6000	5850	5620	5500	5200	3700
700	5530	5400	5180	5080	4800	3420
800	5140	5010	4810	4720	4470	3180
900	4790	4670	4490	4410	4170	2970
1000	4490	4380	4210	4140	3910	2780
1100	4220	4120	3960	3900	3680	2620
1200	3990	3890	3740	3680	3480	2480
1300	3780	3680	3540	3490	3300	2350
1400	3590	3500	3360	3320	3140	2230
1500	3420	3330	3200	3160	2990	2130



MAST SPECIFICATIONS & RATED CAPACITIES

Mast Type	Maximum Fork Height	Overall Height		Free Lift		Dual Tire			
		Lowered	Extended		Without Load Backrest	With Standard Load Backrest	Tilt Range		Load Capacity at 600 mm LC
			Without Load Backrest	With Standard Load Backrest			FWD	BWD	
	mm	mm	mm	mm	mm	mm	deg	deg	kg
Wide Visible Mast (V)	3000	2460	3980	4435	125	125	6	12	6000
	3300	2610	4280	4735	125	125	6	12	6000
	3500	2710	4480	4935	125	125	6	12	6000
	3700	2810	4680	5135	125	125	6	12	6000
	4000	3060	4980	5435	125	125	6	12	6000
	4500	3310	5480	5935	125	125	6	12	6000
	5000	3560	5980	6435	125	125	6	12	6000
Wide Visible Full-Free Lift Three-Stage Mast (FSV)	5500	3810	6480	6935	125	125	6	12	6000
	6000	4060	6980	7435	125	125	6	12	5700
	4000	2360	5060	5435	1365	990	6	6	6000
	4300	2460	5360	5735	1465	1090	6	6	5850
	4700	2550	5750	6135	1565	1180	6	6	5620
	5000	2810	6160	6435	1715	1440	6	6	5500
	6000	3110	7110	7435	2065	1740	6	6	5200
7000	3560	8060	8435	2565	2190	6	6	3700	

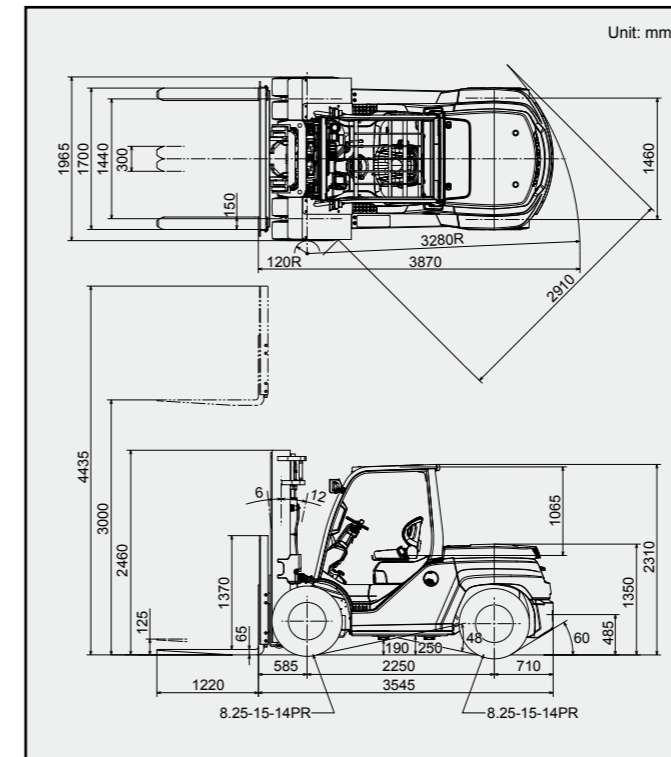
NOTE: Height of standard load backrest is 1370 mm.

MAIN VEHICLE SPECIFICATIONS

			TOYOTA	TOYOTA		
Characteristics	Manufacturer		TOYOTA	TOYOTA		
	Model		8FG70N	8FD70N		
	Load Capacity	kg	7000	7000		
	Load Center	mm	600	600		
	Power Type		Gasoline	Diesel		
	Operator Position		Rider Seated	Rider Seated		
	Tire Type	Front/Rear	Pneumatic	Pneumatic		
	Wheels (x = driven)	Front/Rear	4x/2	4x/2		
	Maximum Fork Height (MFH)		mm	3000	3000	
	Free Lift		mm	125	125	
Dimensions	Fork Size		T x W x L	65X150X1220	65/150/1220	
	Fork Spread (Outside)		MAX./MIN.	1700/300	1700/300	
	Tilt Range		FWD/BWD	deg	6/12	6/12
	Length to Fork Face		mm	3545	3545	
	Overall Width		mm	1965	1965	
	Mast Lowered Height		mm	2460	2460	
	Mast Extended Height		mm	4435	4435	
	Overhead Guard Height		mm	2310	2310	
	Turning Radius (Outside)		mm	3280	3280	
	Load Distance (Centerline of front axle to front face of forks)		mm	585	585	
Rear Overhang		mm	710	710		
Basic Right Angle Stacking Aisle Width (Add load length and clearance)		mm	3870	3870		
Performance	Speeds	Travel, Max. (FWD/RVS)	Full Load	km/h	19.0/19.0	19.0/19.0
			No Load	km/h	21.0/21.0	20.5/20.5
		Lifting	Full Load	mm/sec	410	410
			No Load	mm/sec	440	440
		Lowering	Full Load	mm/sec	530	530
			No Load	mm/sec	480	480
	Max. Drawbar Pull		Full Load	N <kg>	46000<4590>	45000<4590>
			No Load	N <kg>	19900<2030>	19500<1990>
	Gradeability at 1.5 km/h *		Full Load	% (tanθ)	21	21
	Max. Gradeability *		Full Load	% (tanθ)	30	30
		No Load	% (tanθ)	21	21	
Weight	Total Weight		kg	9030	9125	
	Weight Distribution	Full Load	Front	kg	14300	14340
			Rear	kg	1730	1785
		No Load	Front	kg	3610	3650
			Rear	kg	5420	5475
	Tires	Number	Front/Rear	4/2	4/2	
		Size	Front	8.25-15-14PR	8.25-15-14PR	
			Rear	8.25-15-14PR	8.25-15-14PR	
		Wheelbase	mm	2250	2250	
	Tread	Front	mm	1440	1440	
Rear		mm	1460	1460		
Backrest Height	mm	1370	1370			
Overhead Guard Clearance	mm	1065	1065			
Counterweight Height	mm	1350	1350			
Drawbar Pin Center Height	mm	485	485			
Step Height	1st/2nd	mm	295/545	295/545		
Floor Height	mm	860	860			
Underclearance (Full load)	Min. <Mast>	mm	125	125		
		Center of Wheelbase	mm	250	250	
	Grade Clearance	Frame/Counterweight	% (tanθ)	48/60	48/60	
	Brake	Service (Foot)	Hydraulic	Hydraulic		
	Parking	Hand	Hand			
Drive Unit and Control	Battery		V/AH	12/48	12/64	
	Make/Model		TOYOTA 1FS	TOYOTA 14Z- II		
	Internal Combustion Engine	Rated Power/r.p.m.	kw (JIS ps)	69/2550 (93/2550)	66/2400 (90/2400)	
		Rated Torque/r.p.m.	N-m (JIS kg-m)	200/1600 (276/1600)	325/1000 (33.2/1000)	
		Number of Cylinder		4	6	
		Piston Displacement	cc	3685	5204	
		Fuel Tank Capacity	liter	130	130	
		Transmission	Type	Powershift	Powershift	
		Stage	FWD/RVS	1/1		
	Operating Pressure		For Attachments	Mpa (kg/cm ²)	20.6(210)	20.6(210)

NOTE: * Computed values.

DIMENSIONAL DRAWINGS



SPECIAL TREAD

	Dual	Dual
Front Tire Dual	Dual	Dual
Front Tire Size	8.25-15-14PR	8.25-15
Overall Width	mm	1965
Tread, Front	mm	1440

UNDERCLEARANCE mm

Mast (Full Load)	125
Drive Axle (Full Load)	205
Steer Axle (No Load)	265
Center of Wheelbase (Full Load)	250
Counterweight (No Load)	225

RATED CAPACITIES

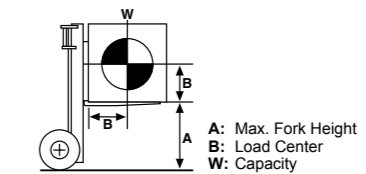
Unit: kg (W)

V Mast (PN or PSC)

A (mm)	3000	3300	3500	3700	4000	4500	5000	5500	6000
600	7000	7000	7000	7000	7000	7000	7000	6700	6500
700	6460	6460	6460	6460	6460	6460	6460	6180	5990
800	5990	5990	5990	5990	5990	5990	5990	5730	5560
900	5590	5590	5590	5590	5590	5590	5590	5350	5190
1000	5230	5230	5230	5230	5230	5230	5230	5010	4860
1100	4920	4920	4920	4920	4920	4920	4920	4710	4570
1200	4650	4650	4650	4650	4650	4650	4650	4450	4320
1300	4400	4400	4400	4400	4400	4400	4400	4210	4090
1400	4180	4180	4180	4180	4180	4180	4180	4000	3880
1500	3980	3980	3980	3980	3980	3980	3980	3810	3690

FSV Mast (PN or PSC)

A (mm)	4000	4300	4700	5000	6000	7000
600	7000	6730	6700	6700	5700	4000
700	6460	6220	6190	6190	5270	3700
800	5990	5780	5760	5760	4900	3440
900	5590	5400	5380	5380	4580	3210
1000	5240	5070	5050	5050	4290	3010
1100	4930	4770	4750	4750	4040	2840
1200	4650	4510	4490	4490	3820	2680
1300	4410	4280	4260	4260	3620	2540
1400	4190	4060	4050	4050	3440	2420
1500	3990	3870	3860	3860	3280	2300



MAST SPECIFICATIONS & RATED CAPACITIES

Mast Type	Maximum Fork Height	Overall Height		Free Lift		Dual Tire		Load Capacity at 600 mm LC	
		Lowered	Extended		Without Load Backrest	With Standard Load Backrest	Tilt Range		
			Without Load Backrest	With Standard Load Backrest			FWD		BWD
Wide Visible Mast (V)	3000	2460	3980	4435	125	125	6	12	7000
	3300	2610	4280	4735	125	125	6	12	7000
	3500	2710	4480	4935	125	125	6	12	7000
	3700	2810	4680	5135	125	125	6	12	7000
	4000	3060	4980	5435	125	125	6	12	7000
	4500	3310	5480	5935	125	125	6	12	7000
	5000	3560	5980	6435	125	125	6	12	7000
	5500	3810	6480	6935	125	125	6	12	6700
	6000	4060	6980	7435	125	125	6	12	6500
	Wide Visible Full-Free Lift Three-Stage Mast (FSV)	4000	2360	5060	5435	1365	990	6	6
4300		2460	5360	5735	1465	1090	6	6	6730
4700		2550	5750	6135	1565	1180	6	6	6700
5000		2810	6160	6435	1715	1440	6	6	6700
6000		3110	7110	7435	2065	1740	6	6	5700
7000		3560	8060	8435	2565	2190	6	6	4000

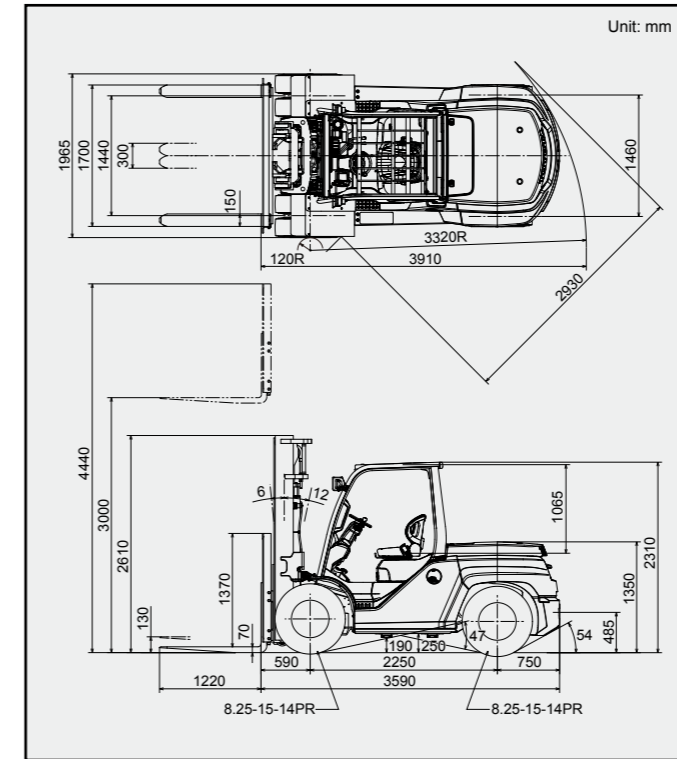
NOTE: Height of standard load backrest is 1370 mm.

MAIN VEHICLE SPECIFICATIONS

			TOYOTA	TOYOTA	
Characteristics	Manufacturer		8FG80N	8FD80N	
	Model		8FG80N	8FD80N	
	Load Capacity	kg	8000	8000	
	Load Center	mm	600	600	
Dimensions	Power Type		Gasoline	Diesel	
	Operator Position		Rider Seated	Rider Seated	
	Tire Type	Front/Rear	Pneumatic	Pneumatic	
	Wheels (x = driven)	Front/Rear	4x/2	4x/2	
	Maximum Fork Height (MFH)	mm	3000	3000	
	Free Lift	mm	125	130	
	Fork Size	T x W x L	70X150X1220	70/150/1220	
	Fork Spread (Outside)	MAX./MIN.	1700/300	1700/300	
	Tilt Range	FWD/BWD	6/12	6/12	
	Length to Fork Face	mm	3590	3590	
Overall Width	mm	1965	1965		
Mast Lowered Height	mm	2610	2610		
Mast Extended Height	mm	4440	4440		
Overhead Guard Height	mm	2310	2310		
Turning Radius (Outside)	mm	3320	3320		
Load Distance (Centerline of front axle to front face of forks)	mm	590	590		
Rear Overhang	mm	750	750		
Basic Right Angle Stacking Aisle Width (Add load length and clearance)	mm	3910	3910		
Performance	Travel, Max. (FWD/RVS)	Full Load	km/h	19.0/19.0	
		No Load	km/h	21.0/21.0	
	Lifting	Full Load	mm/sec	410	
		No Load	mm/sec	440	
	Lowering	Full Load	mm/sec	530	
		No Load	mm/sec	480	
Max. Drawbar Pull	Full Load	N <kg>	45000<4590>		
	No Load	N <kg>	19700<2010>		
Gradeability at 1.5 km/h *	Full Load	% (tanθ)	17		
Max. Gradeability *	Full Load	% (tanθ)	26		
	No Load	% (tanθ)	19		
Weight	Total Weight		kg	9880	
	Weight Distribution	Full Load	Front	kg	15830
			Rear	kg	2050
		No Load	Front	kg	3600
Rear			kg	6330	
Wheels and Tires	Tires	Number	Front/Rear	4/2	
		Size	Front	8.25-15-14PR	
		Rear	8.25-15-14PR		
	Wheelbase	mm	2250		
	Tread	Front	mm	1440	
		Rear	mm	1460	
	Backrest Height	mm	1370		
	Overhead Guard Clearance	mm	1065		
	Counterweight Height	mm	1350		
	Drawbar Pin Center Height	mm	485		
Step Height	1st/2nd	mm	295/545		
Floor Height	mm	860			
Underclearance (Full load)	Min. <Mast>	mm	125		
	Center of Wheelbase	mm	250		
Grade Clearance	Frame/Counterweight	% (tanθ)	47/54		
Brake	Service (Foot)		Hydraulic		
	Parking		Hand		
Drive Unit and Control	Battery		V/AH	12/48	
	Internal Combustion Engine	Make/Model		TOYOTA 1FS	
		Rated Power/r.p.m.	kw (JIS ps)	69/2550 (93/2550)	
		Rated Torque/r.p.m.	N-m (JIS kg-m)	276/1600 (200/1600)	
		Number of Cylinder		4	
		Piston Displacement	cc	3685	
		Fuel Tank Capacity	liter	130	
	Transmission	Type		Powershift	
		Stage	FWD/RVS	1/1	
	Operating Pressure	For Attachments	Mpa (kg/cm ²)	20.6(210)	

NOTE: * Computed values.

DIMENSIONAL DRAWINGS



SPECIAL TREAD

Front Tire Dual	Dual	Dual
Front Tire Size	8.25-15-14PR	8.25-15
Overall Width	mm	1965
Tread, Front	mm	1440

UNDERCLEARANCE mm

Mast (Full Load)	125
Drive Axle (Full Load)	215
Steer Axle (No Load)	265
Center of Wheelbase (Full Load)	250
Counterweight (No Load)	220

MAST SPECIFICATIONS & RATED CAPACITIES

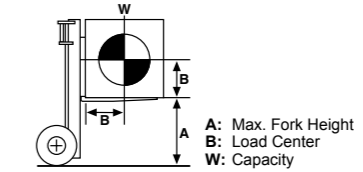
Mast Type	Maximum Fork Height	Overall Height			Free Lift		Dual Tire		
		Lowered	Extended		Without Load Backrest	With Standard Load Backrest	Tilt Range		Load Capacity at 600 mm LC
			Without Load Backrest	With Standard Load Backrest			FWD	BWD	
Wide Visible Mast (V)	mm	mm	mm	mm	mm	mm	deg	deg	kg
	3000	2610	4085	4400	130	130	6	12	8000
	3300	2710	4385	4740	130	130	6	12	8000
	3500	2810	4585	4940	130	130	6	12	8000
	3700	3060	4785	5140	130	130	6	12	8000
	4000	3310	5085	5440	130	130	6	12	8000
	4500	3560	5585	5940	130	130	6	12	8000
	5000	3810	6085	6440	130	130	6	12	8000
	5500	4060	6585	6940	130	130	6	12	7700
	6000	4310	7085	7440	130	130	6	12	7500

NOTE: Height of standard load backrest is 1370 mm.

RATED CAPACITIES

Unit: kg (W)

V Mast (PN or PSC)									
A (mm)	3000	3300	3500	3700	4000	4500	5000	5500	6000
600	8000	8000	8000	8000	8000	8000	8000	7700	7500
700	7380	7380	7380	7380	7380	7380	7380	7100	6920
800	6850	6850	6850	6850	6850	6850	6850	6590	6420
900	6390	6390	6390	6390	6390	6390	6390	6150	5990
1000	5990	5990	5990	5990	5990	5990	5990	5760	5610
1100	5630	5630	5630	5630	5630	5630	5630	5420	5280
1200	5320	5320	5320	5320	5320	5320	5320	5120	4990
1300	5040	5040	5040	5040	5040	5040	5040	4850	4720
1400	4780	4780	4780	4780	4780	4780	4780	4600	4480
1500	4560	4560	4560	4560	4560	4560	4560	4380	4270



A: Max. Fork Height
B: Load Center
W: Capacity

STANDARD EQUIPMENT

8FG/8FD35N,40N,45N,50N,60N,70N,80N

- Wide Visible Mast (V) [MFH: 3,000 mm]
- Load backrest (V and FSV masts)
[Height: 1,220mm(8FG/FD35N,40N,45N)]
[Height: 1,370mm(8FG/FD50N,8FD60N,70N,80N)]
- Alternator with IC regulator
- Intake heater (Diesel engine models)
- Super glow control system (Diesel engine models)
- Sedimenter (Diesel engine models)
- Same key for multiple forklifts
- 2-stator T/C
- Rear combination lights
- Tilt cylinder boots
- Radiator screen
- Cyclone air cleaner with snorkel air intake
- Engine protection system (Gasoline engine models)
- Electronic fuel injection system (Gasoline engine models)
- Radiator reservoir tank
- Operator Presence Sensing System (OPS)
- Double-action parking brake
- Assist grip
- Neutral safety switch
- Electrical shift control
- Full hydraulic power steering
- Tilt steering column
- Overhead guard sheet
- Overhead guard
- Hidden tilt cylinder
- Engine hood damper (Lockable)
- Jack point
- Drawbar pin
- Engine hood insulator
- Headlights
- Headlights guard
- Rear combination lights
- Integrated light & turn signal switch
- Hour meter
- Engine water temperature indicator
- Fuel meter
- Engine oil pressure warning light
- Charge warning lights
- Pre-heat indicator light (Diesel engine models)
- Sedimenter warning light (Diesel engine models)
- Electric horn
- Cup holder
- ORS seat

Availability and specifications are determined by market and are subject to change without notice.
Please consult your Toyota representative for details.

All rights reserved by Toyota Industries Corporation.



TOYOTA MATERIAL HANDLING INTERNATIONAL

S.S.8FG/8FD35-80N (E) /E-1701/©/Printed in Japan/No.720740E/2,000