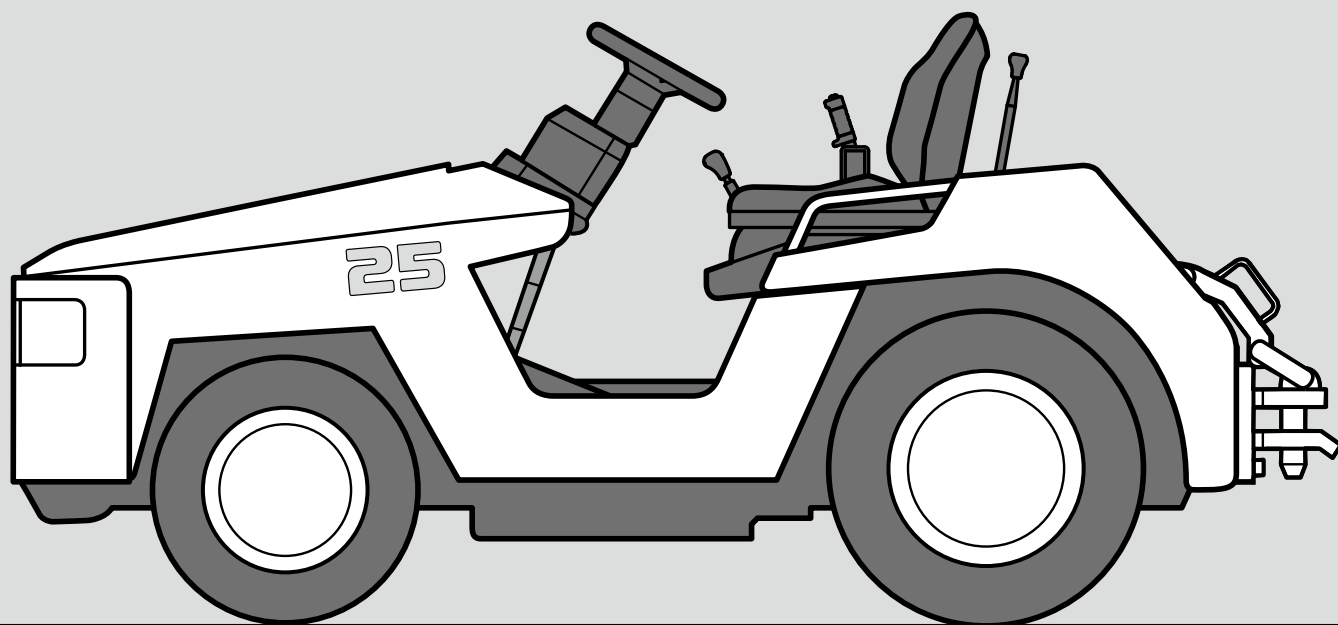


TOWING TRACTOR TG/TD Series



 **TOYOTA**

MAIN VEHICLE SPECIFICATIONS

Model		2TG20	02-2TG20	2TD20	02-2TD20	42-2TD20	2TG25	02-2TG25		2TD25	02-2TD25	42-2TD25	3TG35	02-3TG35	3TD35	02-3TD35	40-3TD35	42-3TD35	3TD45	02-3TD45						
PERFORMANCE																										
Maximum Drawbar Pull	kg (N)	2000 (19500)			2000 (19500) [2090 (20500)]			2500 (24500)			2500 (24500)			3500 (34300)		3500 (34300)		3500 (34300)		4500 (44100)						
Towed Weight at Dry Even Concrete Surface *	With one trailer	26000			26000			33000			33000			47000		47000		47000		60000						
	With a train of two or more trailers	39000			39000			49000			49000			70000		70000		70000		90000						
Travel Speeds	Forward	1st	5	9	5	9	10	5	9	5	9	10	4	10	4	10	4	10	4	10	4	10				
		2nd	9	17	9	17	20	9	17	9	17	20	7	26	7	26	7	24	7	24	7	24				
		3rd	15.5	26	15.5	26	30 <26>	15.5	26	15.5	26	30 <26>	13	—	13	—	13	—	13	—	13	—				
		4th	27	—	27	—	—	27	—	27	—	—	27	—	27	—	27	—	27	—	27	—				
	Reverse	1st	5	10	5	10	11	5	10	5	10	11	4	9	4	9	4	11	4	11	4	11				
		2nd	—	—	—	—	—	—	—	—	—	—	—	—	—	—	—	—	26	—	—	26				
Turning Radius (Outside)	mm	3050			3050			3200			3050			3200		4500		4500		4500						
Gradeability	At forward 1st speed	46			46			46			46			46		46		46		46						
	At reverse	34			34			34			34			—		—		—		—						
WEIGHTS																										
Weight Distribution	Front	880	890	920	930	1010	870	880		910	920	1000	1400	1420	1450	1470	1650	1670	1650	1720						
	Rear	2250	2260	2250	2260	2280	2970	2980		2970	2980	3000	3890	3940	3890	3940	3890	3940	4840	4940						
	Total	3130	3150	3170	3190	3290	3480	3860		3880	3900	4000	5290	5360	5340	5410	5540	5610	6490	6660						
ENGINE																										
Model		TOYOTA 4Y			TOYOTA 1DZ-II			TOYOTA 2Z			TOYOTA 4Y			TOYOTA 1DZ-II			TOYOTA 2Z		TOYOTA 2F		TOYOTA 2H		TOYOTA 2D		TOYOTA 2D	
Piston Displacement	cc	2237			2486			3469			2237			2486			3469		4230		3980		6494		6494	
Rated Power/r.p.m.	kW (JIS ps)	39.7/2400 (54/2400)			40.5/2400 (55/2400)			48.5/2200 (66/2200)			39.7/2400 (54/2400)			40.5/2400 (55/2400)			48.5/2200 (66/2200)		49/2100 (67/2100)		51/2200 (70/2200)		66/2100 (90/2100)		77/2100 (105/2100)	
Rated Torque/r.p.m.	N-m (JIS kg-m)	162/1800 (16.5/1800)			167/1600 (17/1600)			216/1600 (22/1600)			162/1600 (16.5/1800)			167/1600 (17/1600)			216/1600 (22/1600)		255/1200 (26/1200)		235/1600 (24/1600)		323/1400 (33/1400)		392/1600 (40/1600)	
FUEL SYSTEM																										
Fuel Tank Capacity	liter	70			70			70			70			100		100		100		100						
DIMENSIONS																										
Overall Length	mm	3020			3020			3130			3020			3020		3130		3835		3835		3835		3835		
Overall Width	mm	1445			1445			1445			1445			1445		1900		1900		1900		1900		1900		
Overall Height	mm	1390			1390			1390			1390			1390		1730		1730		1730		1730		1730		
Wheelbase	mm	1600			1600			1710			1600			1600		1710		1800		1800		1800		1800		
Tread	Front	1225			1225			1225			1225			1225		1480		1480		1480		1480		1480		
	Rear	1190			1190			1190			1190			1190		1390		1390		1390		1390		1390		
Underclearance	mm	150			150			150			150			150		180		180		180		180		180		
Center Height of Drawbar	mm	450			450			450			450			450		450		450		450		450		450		
BATTERY																										
Voltage/Capacity	V/AH	12/28			12/64			12/28			12/28			12/64		12/60		24/70		24/100		24/100		24/100		
TRANSMISSION TYPE																										
Manual/Automatic/Powershift		Manual	Automatic	Manual	Automatic	Manual	Automatic	Manual	Automatic	Manual	Automatic	Manual	Powershift	Manual	Powershift	Manual	Powershift	Manual	Powershift	Manual	Powershift					
BRAKES																										
Brakes	Foot Brake	Hydraulic			Hydraulic			Hydraulic			Hydraulic			Hydraulic		Hydraulic		Hydraulic		Hydraulic		Hydraulic				
	Hand Brake	Mechanical			Mechanical			Mechanical			Mechanical			Mechanical		Mechanical		Mechanical		Mechanical		Mechanical				
TIRES																										
Tire Size	Front	165R13-8PR (LT)			165R13-8PR (LT)			165R13-8PR (LT)			165R13-8PR (LT)			7.50-16-12PR (I)		7.50-16-12PR (I)		7.50-16-12PR (I)		7.50-16-12PR (I)		7.50-16-12PR (I)				
	Rear	28x8-15-12PR (I)			28x8-15-12PR (I)			28x8-15-12PR (I)			28x8-15-12PR (I)			7.50-16-12PR (I)		7.50-16-12PR (I)		7.50-16-12PR (I)		7.50-16-12PR (I)		7.50-16-12PR (I)				

NOTE: [] for EC Specification model.
< > for Low-gear specification model.
* Please see the note on below "Towed Weight" section.

The data in this publication was determined based on our standard testing condition. Operating performance may vary depending on the actual specification and condition of the vehicle as well as the condition of the operating area.

TOWED WEIGHT

Unit: kg

Model	Surface Condition (Dry Even Concrete)	Level Start (with one trailer)				Start on Grade (with one trailer)				
		2TG20 2TD20 42-2TD20	2TG25 2TD25 42-2TD25	3TG35 3TD35	3TD45	2TG20 2TD20 42-2TD20	2TG25 2TD25 42-2TD25	3TG35 3TD35	3TD45	3TD45
Level Road		* 26000	* 33000	* 47000	* 60000	—	—	—	—	—
Grade (Degrees)	1°	* 26000	* 33000	* 47000	* 60000	19000	19000	24000	34000	44000
	2°	26000	33000	47000	60000	15000	15000	19000	27000	36000
	3°	23000	29000	41000	54000	13000	13000	16000	23000	30000
	4°	18000	23000	33000	43000	11000	11000	14000	19000	26000
	5°	15000	19000	27000	35000	9500	9500	12000	17000	22000
	6°	12000	16000	22000	29000	8200	8200	10000	15000	19000
	7°	10000	13000	19000	25000	7200	7200	9300	13000	17000
	8°	9300	11000	16000	22000	6400	6400	8200	11000	15000
	9°	8100	10000	14000	19000	5600	5600	7300	9900	13000
	10°	7100	9100	13000	17000	5000	5000	6500	8900	12000

NOTE: * Towed weight can be increased by 50% when pulling two or more trailers.
Towed weight may vary depending on the travel speed, conditions of operating area, actual specification and condition of the vehicle, specification and condition of trailer, and so on.
Towed weight in this sheet is calculated as towed weight of standard truck during starting, based on our condition.
It does not provide any guarantees of towed weight during continuous operation and towed weight on your operating condition.
Please consult your TOYOTA representative regarding towed weight on your operating condition.

STANDARD EQUIPMENT

2TG/2TD20.25

- Operator Presence Sensing System (OPS) [Automatic transmission models]
- 6" cyclone air cleaner
- Alternator with IC regulator
- Integrated Ignition Assembly (2TG20.25)
- Neutral safety switch (Automatic transmission models)
- Super glow control system (1DZ-II engine model)
- Intake heater (2Z engine model)
- Automatic choke (2TG20.25)
- Engine key stop device (Diesel engine model)
- Sedimenter (Diesel engine model)
- Headlights
- Rear combination lights (included: Tail lights, Stop lights and Back-up lights)
- Integrated Monitoring Center [Hour meter, Engine water temperature indicator, Fuel meter, Clogged air cleaner warning light, Engine oil pressure warning light, Charge warning light, Parking brake pilot light, Pre-heat indicator light (Diesel engine model), Sedimenter warning light (Diesel engine model), Torque converter oil temperature warning light (Automatic transmission models), Neutral indicator (Automatic transmission models)]
- Speedometer
- Electric horn
- Engine Hood Damper
- Power Steering
- Tilt Steering Column
- Toggle type parking brake
- Torque converter oil cooler (Automatic transmission models)
- Pin type single stage drawbar

3TG/3TD35, 3TD45

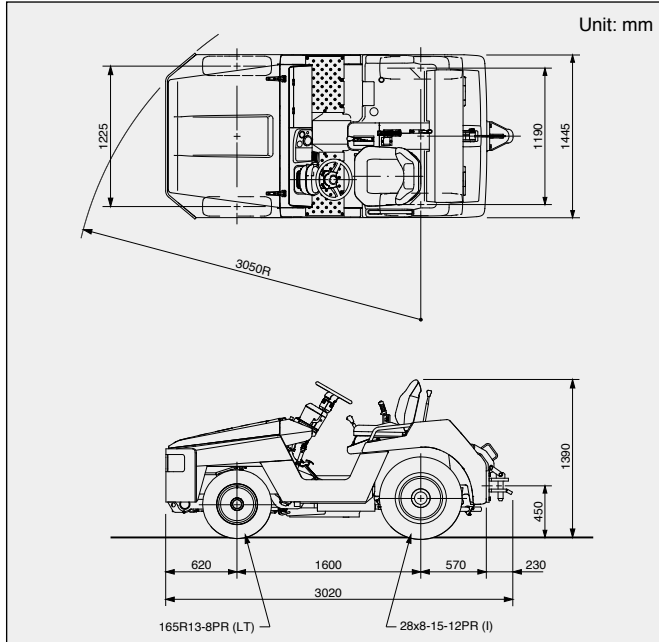
- 6" cyclone air cleaner
- Choke button (3TG35)
- Glow plug controller (3TD35.45)
- Engine stop button (3TD35.45)
- Headlights
- Rear combination lights (include: Tail lights, Stop lights)
- Back-up lights
- Hour meter
- Fuel meter
- Speedometer
- Engine water temperature indicator
- Torque converter oil temperature indicator (Powershift transmission models)
- Electric horn
- Engine oil pressure warning light
- Charge warning light
- Brake fluid level warning light
- Vacuum warning buzzer (3TD35.45)
- Co-operator's seat
- Front drawbar
- Rear drawbar
- Power steering
- Front spring suspension

2,000 to 4,500 kg (19,500 to 44,100 N)

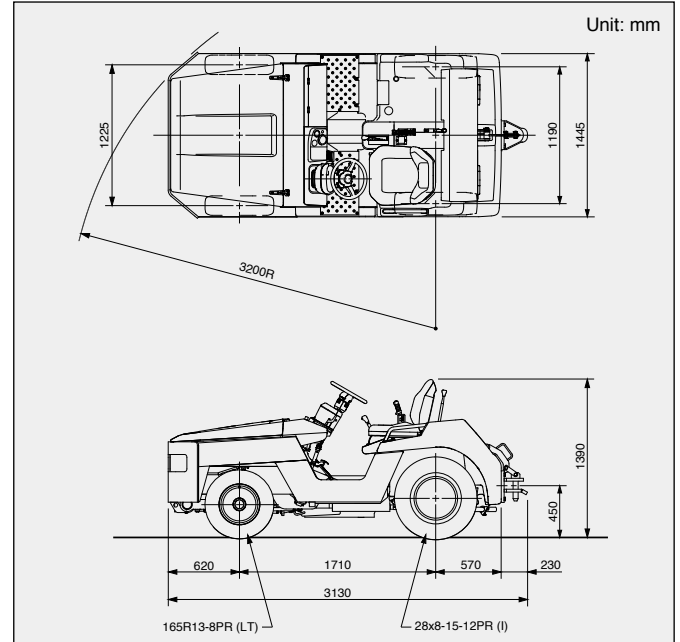
2TG/2TD20.25, 3TG/3TD35, 3TD45

DIMENSIONAL DRAWINGS

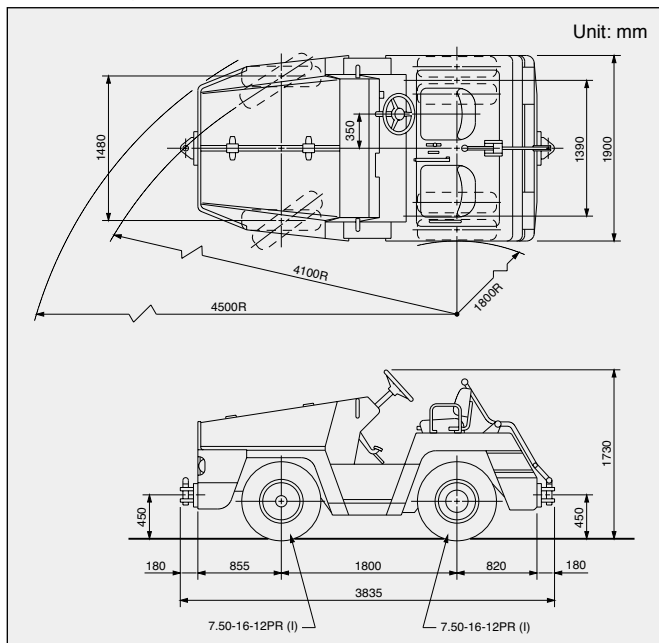
2TG/2TD20.25



42-2TD20.25



3TG/3TD35, 3TD45



Availability and specifications are determined regionally and are subject to change without notice. Please consult your Toyota representative for details.

All rights reserved by Toyota Industries Corporation.