

# CBT4 CBT6



CBT4

## MAIN VEHICLE SPECIFICATIONS

(March 2008)

Manufacturer			TOYOTA	TOYOTA
Model			CBT4	CBT6
Power Type			Battery	Battery
Operator Position			Rider Seated	Rider Seated
Tire Type		Front/Rear	Pneumatic	Pneumatic
Wheels (x = driven)		Front/Rear	2/2x	2/2x
Maximum Drawbar Pull		3-Minute Ratings	N <kg>	3920 <400>
Rated Drawbar Pull (Towing Capacity)		60-Minute Ratings	N <kg>	980 <100>
Towed Weight		60-Minute Ratings	kg	4000
Travel Speeds		No Load	km/h	13.5
		w/ Load	km/h	9 w/2 ton
Gradeability *		No Load	% (tanθ)	36
		3-Minute Ratings		32
Overall Length		w/ Hitch	mm	2020
		w/o Hitch	mm	1880
Front Overhang		mm	160	160
Rear Overhang		mm	360	360
Overall Width		mm	965	965
Overall Height		mm	1250	1250
Turning Radius (Outside)		mm	1775	1775
Hitch Length		mm	140	140
Height of Hitch		mm	305	305
Wheelbase		mm	1360	1360
Tread		Front	mm	260
		Rear	mm	805
Underclearance	Center of Wheelbase		mm	80
Floor Height		mm	330	330
Total Weight		w/ Battery	kg	980
		Without Battery	kg	540
Weight Distribution (With STD Battery)		Front	kg	330
		Rear	kg	650
Tires		Number	Front/Rear	2/2
		Size	Front	3.50-5-6PR (I)
		Rear		4.00-8-6PR (I)
Brake		Service (Foot)		Hydraulic
		Parking (Hand)		Mechanical
Battery		Voltage/Capacity (5-Hour Ratings)	STD	V/AH
		Weight (STD Capacity Type)	kg	440
Electric Motor		Drive	kW	2.6
Control Type		Drive		Transistor chopper

NOTE: \* Computed values.

## TOWED WEIGHT

(March 2008)

Unit: Ton

Surface Condition (Dry Even Concrete)	Model			
	Start on Grade			
	3-Minute Rating		60-Minute Rating	
	CBT4	CBT6	CBT4	CBT6
Level Road	4.0 <7>	6.0 <7>	4.0 <7>	6.0 <7>
Grade (Degrees)	1°	3.4 <4>	3.8 <4>	1.9 <7>
	2°	2.7 <4>	3.0 <4>	1.0 <7>
	3°	2.2 <4>	2.4 <4>	0.5 <7>
	4°	1.7 <4>	2.0 <4>	0.2 <7>

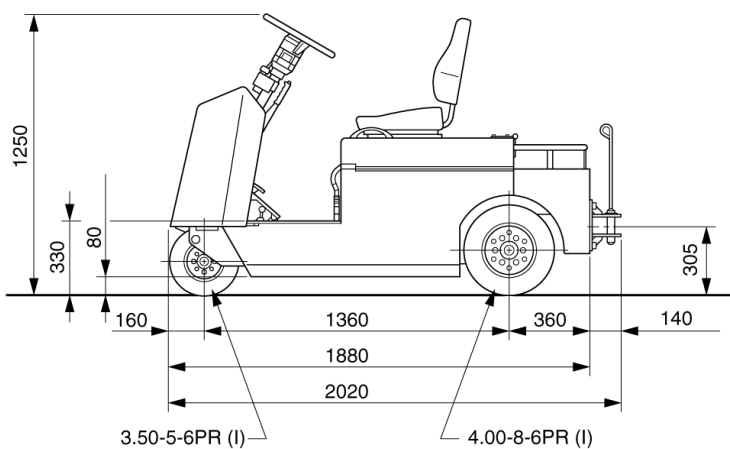
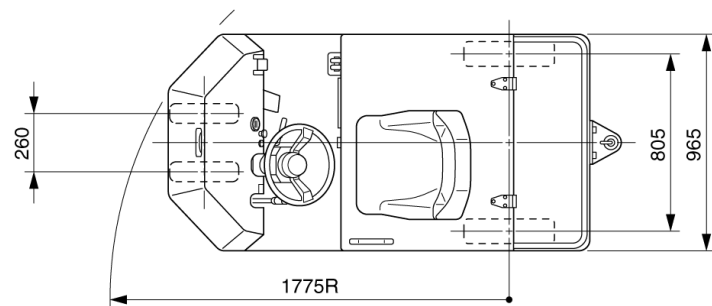
NOTE: &lt; &gt; indicates travel speed in km/h.

# DIMENSIONAL DRAWINGS

(January 2010)

Unit: mm

## CBT4.6



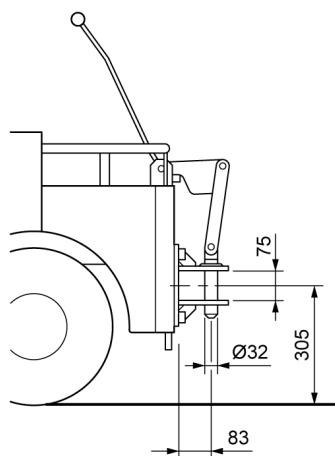
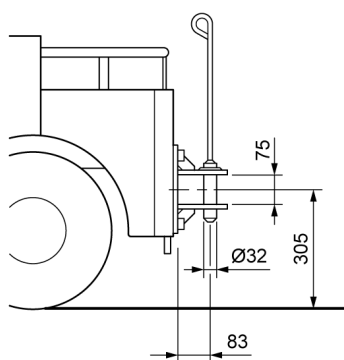
# DRAWBAR

(January 2010)

Unit: mm

Pin Type Single Stage Drawbar (Standard)

Lever Type Single Stage Drawbar (Optional)



# CBT4.6

## STANDARD EQUIPMENT

(January 2010)

### CBT4.6

●Operator Presence Sensing System (OPS) ●Headlights ●Battery capacity indicator ●Hour meter ●Electric horn ●Buck-up buzzer wiring ●Non-slip sheet ●Seat ●Seat switch ●Rear drawbar ●Battery hood damper ●Dual-action Parking brake ●Pneumatic tire ●Truck bed

## OPTIONS AVAILABILITY CHART

(July 2022)

●: Available

Item	Code	Model	
		CBT4	CBT6
<b>BATTERY AND CONTROLLER</b>			
Battery	Battery (Wet Cell) ☆	D00C*	● ●
	Roll-out Type Battery 1) ☆★	D00G*	● ●
	Spare Battery (Wet Cell)	D20A	● ●
	Spare Battery (Dry Cell) 210AH ☆	D20J	● ●
Battery Case	Standard Type	D80D	● ●
	Roll-out Type	D80D	● ●
Battery Side Extract ☆★	D56E	● ●	
Battery Carrier 1)	D45D	● ●	
Spare Battery Carrier 1)	D52A	● ●	
Battery Charger 200V/3P (Off-truck Type) 2)	C30L	● ●	
Battery Charger 400V/3P (Off-truck Type) 2)	C30M	● ●	
Modification for Fast-charging System ★	D44A	● ●	
Keyless Ignition Switch ★	D29A	● ●	
<b>LIGHT AND INDICATORS</b>			
Rear Combination Lights	J21A	● ●	
Forward & Back-up Chime ★	K21A	● ●	
Back-up Buzzer ★	K21D	● ●	
Turn Signal Lights	J03A	● ●	
4-way Hazard Lights	J50A	● ●	
Strobe Light Wiring ★	J35A	● ●	
LED Yellow Beacon ★	J19S	● ●	
<b>BODY</b>			
Rear-view Mirrors Oval Type (Right and Left Sides)	J10F	● ●	
Rear Drawbar (Lever Type)	M05E	● ●	
Rear Drawbar (NUMMI) 8)	M05C	● ●	
w/o Rear Drawbar	M05D	● ●	
Steering Wheel w/ Knob	E41A	● ●	
Tilt Steering Column	E70A	● ●	
Seat Switch w. Work On Hour Meter	G48B	● ●	
Pencil Holder	S03B	● ●	
Document Box	S04A	● ●	
A4-Size Binder	S06A	● ●	
TOYOTA Symbol Mark 9)	S02A	● ●	
Front Bumper	K28C	● ●	
Name Plate 3)	S31A	● ●	
Unit Indication (inch/lbs) 4)	A95A	● ●	
Unit Indication (mm/kg)	A95B	● ●	
OPS Decal	S35A	● ●	
Body & Forks In One Color (Mast, B/R & ATT In STD Color)	R30A	● ●	
Body & Forks In Two Color (Mast, B/R & ATT In STD Color)	R30B	● ●	
Body & Forks In Three Color (Mast, B/R & ATT In STD Color)	R30C	● ●	
Body & Forks In Four Color (Mast, B/R & ATT In STD Color)	R30D	● ●	
<b>WHEEL AND TIRE</b>			
Front Rib Pneumatic-Shaped Cushion Tire ☆★	F02S	● ●	
Front White Rib Pneumatic-Shaped Cushion Tire ☆	F02T	● ●	
Rear Rib Pneumatic-Shaped Cushion Tire ☆★	F42S	● ●	
Rear White Rib Pneumatic-Shaped Cushion Tire ☆	F42T	● ●	
Spare Tire, Front 6)	F30A	● ●	
Spare Tire, Rear 7)	F75A	● ●	
<b>SPECIAL MODELS</b>			
USA Spec. 5)	A20A	● ●	
Australian Spec. ★	A20B	● ●	

Item	Code	Model	
		CBT4	CBT6
<b>OTHER</b>			
Tool Set A	S00B	●	●
Export Packing(Standard)	T00B	●	●
Parts Catalog(Specified User)1set	S52G	●	●
Parts Catalog(Specified User)2set	S52H	●	●
Parts Catalog (Non-standard Item)1set	S53A	●	●
Parts Catalog (Non-standard Item)2set	S53B	●	●
Export Packing (Wooden Box)	T01A	●	●
Spare Battery Case Packing(Crate)	T06A	●	
Charger Packing(Crate)	T07A	●	●
Spare Tire Packing (Pallet)	T38B	●	●
Touch-up Paint	T44A	●	●
Operator's Manual 2set	T45B	●	●
Repair Manual 1Set	T46A	●	●
Repair Manual 2Set	T46B	●	●
W/o Window Washer Fluid Spec. 10)	T49N	●	●

## NOTE:

- 1) Must specify "Battery Roll-out".
  - 2) Must specify "Battery (Wet Cell)" or "Roll-out Type Battery".
  - 3) Available for English [S31A], Spanish [S31B], Chinese [S31C], French [S31E], Russian [S31F], Taiwanese [S31G], Portuguese [S31K].
  - 4) Must specify "Name Plate(English)" [S31A] .
  - 5) Must specify this option for U.S.A. .
  - 6) Not available for "Front Rib Pneumatic-Shaped Cushion Tire" [F02S] and "Front White Rib Pneumatic-Shaped Cushion Tire" [F02T] .  
Must specify the packing order.
  - 7) Not available for "Front Rib Pneumatic-Shaped Cushion Tire" [F42S] and "Front White Rib Pneumatic-Shaped Cushion Tire" [F42T] .  
Must specify the packing order.
  - 8) Available for U.S.A. .
  - 9) Must specify this option for export.
  - 10) Must specify "Canvas Cabin Wiper & Washer" [H02C] or "Front Glass Wiper & Washer" [H02D].  
Must specify this option for the country regulates methanol. H02C and H02D are TSDR.
- ★ Please see the "Matching Options".
- ☆ Please see the chart below for the item.

## TIRE AVAILABILITY

(January 2010)

Model	Tire Arrangement	Tire Size	Rim Size (Type)	Pneumatic Tire	Pneumatic-Shaped Cushion Tire	
					Rib Pattern	Rib Pattern (White)
CBT4.6	Front	3.50-5-6PR	3.00SP DT (Divided)	○		
		3.50-5	3.00SP DT (Divided)		● [F02S]	● [F02T]
	Rear	4.00-8-6PR	3.00D DT (Divided)	○		
		4.00-8	3.00D DT (Divided)		● [F42S]	● [F42T]

INDEX: ● Available

## AVAILABILITY OF BATTERY CHARGER

(December 2021)

## Full Automatic Charger

Battery Voltage V	Battery Capacity AH/5HR	AC Input Voltage V	Manufacturer	CBT4	CBT6
48	210-250	200	Kyoto Denkiki	○	●
	280-305	200		●	○
	370	200			●
48	210-250	400	Kyoto Denkiki	●	●
	280-305	400		●	●
	370	400			●

INDEX: ○ Standard / ● Available

## BATTERY AVAILABILITY

(January 2010)

Model	Battery		
	V	AH/HR	
CBT4	48	210/5 (216/5)	●
		280/5 (250/5)	●
		(305/5)	●
CBT6	48	280/5 (216/5)	●
		(250/5)	●
		370/5 (305/5)	●

INDEX: ● Available

NOTE: ( ) for Roll-out Type Battery.

## MATCHING OPTIONS

(February 2022)

(Column figures refer to matching with to the items listed at left)

Item	Code	1	2	3	4	5	6	7	8	9	10	11	12	13	14	15	16	17	18	19	20	
Australia Spec.	A20B	1																				
Charger: Off Truck	C30L	2																				
Battery: Installed (Wet Cell)	D00C	3																				
Battery: Installed (Wet Cell)	D00G	4		X																		
Spare Battery (DRY)	D20J	5																				
Battery Side Extract	D56E	6		X		X																
Key-less Ignition Switch	D29A	7	X																			
Front Tire: Rib Nonpunc.	F02S	8																				
Rear Tire: Rib Nonpunc.	F42S	9																				
Front Tire: White Rib Nonpunc.	F02T	10							X													
Rear Tire: White Rib Nonpunc.	F42T	11								X												
Spare Tire, Front	F30A	12							X		X											
Spare Tire, Rear	F75A	13								X	X											
LED Yellow Beacon	J19S	14																				
Strobe Light Wiring	J35A	15													X							
Forward/Reverse Chime	K21A	16																				
Back-up Buzzer	K21D	17																X				
USA Spec.	A20A	18	X	X	X	X									X				X			
OPS Decal	S35A	19																			X	
Charger: Off Truck 400V	C30M	20	X																		X	

INDEX: X Not available.

NOTE: For other matching please consult us.

# SPECIFICATIONS OF BATTERY

(September 2020)

## STD Type

Battery Voltage V	Battery Capacity AH/5HR	Manufacturer	Battery Cell			Container Height mm	Weight (w/case) kg	Model			
			Type	Length mm	Width mm			CBT4	Operating Time	CBT6	Operating Time
48	210	GS YUASA	VCF3C	90	158	575	395	●	11h55m		
		LIFTTOP	VCF210A	90	158	575	440	●			
	280	GS YUASA	VCF4N	90	158	575	445	●	16h00m	●	6h57m
		LIFTTOP	VCF280L	90	158	575	495	●		●	
	370	LIFTTOP	VCI370	90	158	575	585			●	9h25m
		GS YUASA	VGI370	90	158	575	540			●	

INDEX: ● Available

## Roll-out Type Battery

Battery Voltage V	Battery Capacity AH/5HR	Manufacturer	Battery Cell			Container Height mm	Weight (w/case) kg	Model			
			Type	Length mm	Width mm			CBT4	Operating Time	CBT6	Operating Time
48	216	GS YUASA	VCD4BN	94	157	500	365	●	12h16m	●	5h05m
	250	GS YUASA	VCD5AN	94	158	500	410	●	14h15m	●	6h06m
		LIFTTOP	VCD250	90	158	500	435	●		●	
	305	GS YUASA	VZE305	90	157	500	500	●	17h26m	●	7h40m

INDEX: ● Available

## Battery Connector Type

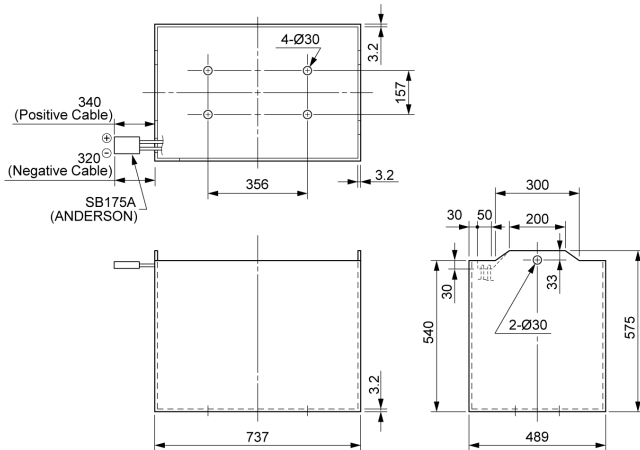
Battery	SB175A (ANDERSON)
---------	-------------------

## Dimensions of Battery Case

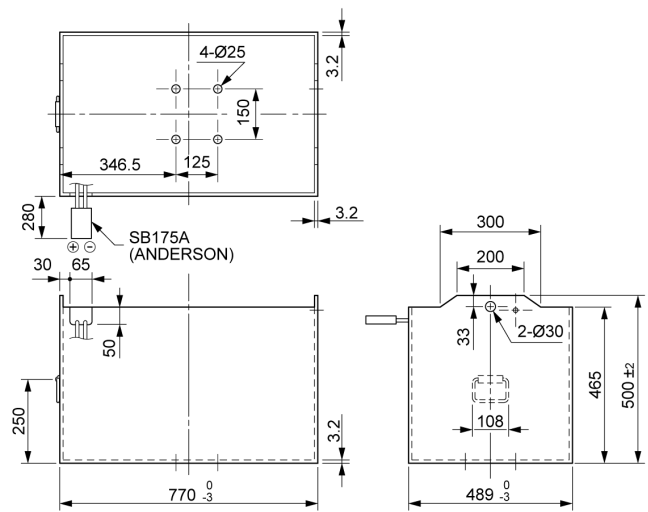
(April 2005)

Unit: mm

### STD Type



### Roll-out Type



## Dimensions of Battery Compartment

Model	CBT4.6	
Width	mm	745 (778)
Length	mm	497
Height	mm	594 (523)

NOTE: ( ) for Roll-out Type Battery.

# CBTY4



## MAIN VEHICLE SPECIFICATIONS

(March 2008)

Manufacturer		TOYOTA	
Model		CBTY4	
Power Type		Battery	
Operator Position		Stand on	
Tire Type		Front/Rear	Pneumatic
Wheels (x = driven)		Front/Rear	2/2x
Maximum Drawbar Pull		3-Minute Ratings	N <kg> 3920 <400>
Rated Drawbar Pull (Towing Capacity)		60-Minute Ratings	N <kg> 980 <100>
Towed Weight		60-Minute Ratings	kg 4000
Travel Speeds		No Load	km/h 13.5
		w/ Load	km/h 9 w/2 ton
Gradeability *		No Load	% (tanθ) 36
		3-Minute Ratings	
Overall Length		w/ Hitch	mm 1755
		w/o Hitch	mm 1615
Front Overhang		mm	235
Rear Overhang		mm	240
Overall Width		mm	965
Overall Height		mm	1185
Turning Radius (Outside)		mm	1600
Hitch Length		mm	140
Height of Hitch		mm	305
Wheelbase		mm	1140
Tread		Front	mm 260
		Rear	mm 805
Underclearance	Center of Wheelbase	mm	75
Floor Height		mm	200
Total Weight		w/ Battery	kg 975
		Without Battery	kg 625
Weight Distribution (With STD Battery)		Front	kg 290
		Rear	kg 685
Tires		Number	Front/Rear 2/2
		Size	Front 3.50-5-6PR (I) Rear 4.00-8-6PR (I)
Brake		Service (Foot)	Hydraulic
		Parking (Foot)	Mechanical
Battery		Voltage/Capacity (5-Hour Ratings)	STD V/AH 48/160
		Weight (STD Capacity Type)	kg 350
Electric Motor	Drive	kW	2.6
Control Type	Drive		Transistor chopper

NOTE: \* Computed values.

## TOWED WEIGHT

(March 2008)

Unit: Ton

Surface Condition (Dry Even Concrete)	Model		
	Start on Grade		
		3-Minute Rating	60-Minute Rating
		CBTY4	CBTY4
Level Road		4.0 <7>	4.0 <7>
Grade (Degrees)	1°	3.4 <4>	1.9 <7>
	2°	2.7 <4>	1.0 <7>
	3°	2.2 <4>	0.5 <7>
	4°	1.7 <4>	0.2 <7>

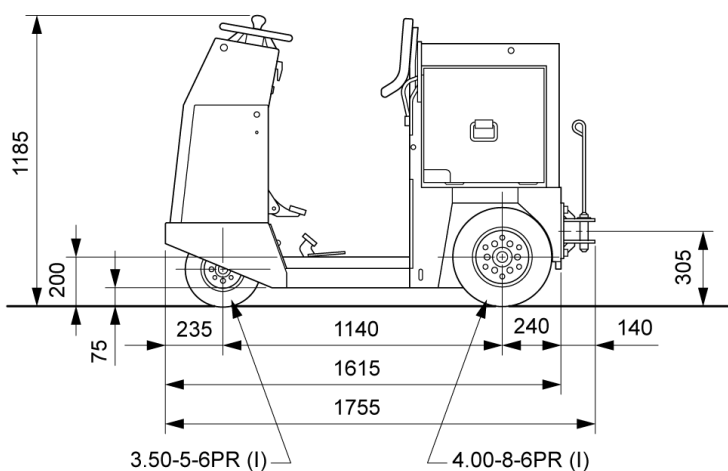
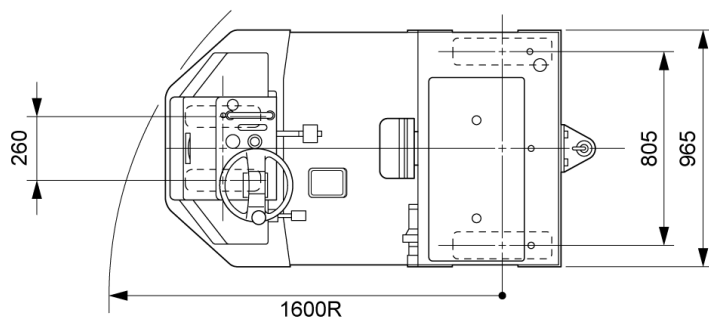
NOTE: &lt; &gt; indicates travel speed in km/h.

**DIMENSIONAL DRAWINGS**

(May 2009)

Unit: mm

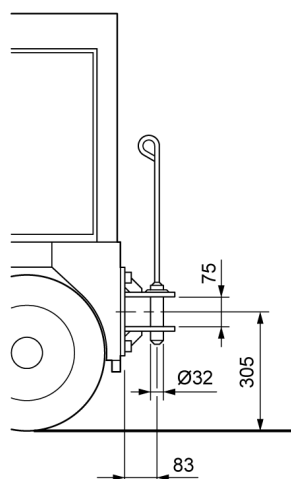
**CBTY4**



**DRAWBAR**

(May 2009)

Unit: mm





# CBTY4

## STANDARD EQUIPMENT

(May 2009)

### CBTY4

- Operator Presence Sensing System (OPS) ● Headlights ● Battery capacity indicator ● Hour meter ● Electric horn ● Floor switch ● Buck-up buzzer wiring ● Non-slip sheet
- Rear drawbar ● Dual-action Parking brake ● Pneumatic tire

## OPTIONS AVAILABILITY CHART

(March 2023)

●: Available

Item	Code	Model	
		CBTY4	
<b>BATTERY AND CONTROLLER</b>			
Battery ☆	D00C*	●	
Battery Case	D80D	●	
Battery Carrier	D45D	●	
Spare Battery Carrier	D52A	●	
Battery Charger 200V/3P (Off-truck Type) ☆★	C30L	●	
Battery Charger 400V/3P (Off-truck Type) ☆★	C30M	●	
Keyless Ignition Switch ★	D29A	●	
<b>LIGHT AND INDICATORS</b>			
Rear Combination Lights	J21A	●	
Forward & Back-up Chime ★	K21A	●	
Back-up Buzzer ★	K21D	●	
Turn Signal Lights	J03A	●	
4-way Hazard Lights	J50A	●	
Strobo Light Wiring ★	J35A	●	
LED Yellow Beacon ★	J19S	●	
<b>BODY</b>			
Rear-view Mirrors Oval Type (Right and Left Sides)	J10F	●	
w/o Rear Drawbar	M05D	●	
Floor Switch w. Work On Hour Meter 8) ★	G41C	●	
Floor Parking Pedal 1)	G41D	●	
Floor Parking Pedal w. Work On Hour Meter 1)	G41E	●	
Floor Mat	G80A	●	
Pencil Holder	S03B	●	
Document Box	S04A	●	
Name Plate 2)	S31*	●	
Unit Indication (inch/lbs) 4)	A95A	●	
Unit Indication (mm/kg)	A95B	●	
OPS Decal	S35A	●	
Body & Forks In One Color (Mast, B/R & ATT In STD Color)	R30A	●	
Body & Forks In Two Color (Mast, B/R & ATT In STD Color)	R30B	●	
Body & Forks In Three Color (Mast, B/R & ATT In STD Color)	R30C	●	
Body & Forks In Four Color (Mast, B/R & ATT In STD Color)	R30D	●	
TOYOTA Symbol Mark	S02A	●	
Certificated Label	S20C	●	
<b>WHEEL AND TIRE</b>			
Front Rib Pneumatic-Shaped Cushion Tire ☆★	F02S	●	
Front White Rib Pneumatic-Shaped Cushion Tire ☆	F02T	●	
Rear Rib Pneumatic-Shaped Cushion Tire ☆★	F42S	●	
Rear White Rib Pneumatic-Shaped Cushion Tire ☆	F42T	●	
Spare Tire, Front 6) ☆	F30A	●	
Spare Tire, Rear 7) ☆	F75A	●	
<b>SPECIAL MODELS</b>			
USA Spec. 5) ★	A20A	●	
Australian Spec. 3) ★	A20B	●	
<b>OTHER</b>			
Tool Set A	S00B	●	
Export Packing(Standard)	T00B	●	
Parts Catalog(Specified User)1set	S52G	●	
Parts Catalog(Specified User)2set	S52H	●	
Parts Catalog (Non-standard Item)1set	S53A	●	
Parts Catalog (Non-standard Item)2set	S53B	●	

Item	Code	Model
		CBTY4
Export Packing (Wooden Box)	T01A	●
Charger Packing(Crate)	T07A	●
Spare Tire Packing (Pallet)	T38B	●
Touch-up Paint	T44A	●
Operator's Manual 2set	T45B	●
Repair Manual 1Set	T46A	●
Repair Manual 2Set	T46B	●

## NOTE:

- 1) Must specify [A20B].
  - 2) Available for English, Spanish, Chinese, French, Russian, Taiwanese, and Portuguese.
  - 3) Must specify "Floor Parking Pedal" [G41D] or "Floor Parking Pedal" [G41E].
  - 4) Must specify "Name Plate(English)" [S31A].
  - 5) Must specify this option for U.S.A. .
  - 6) Not available for "Front Rib Pneumatic-Shaped Cushion Tire" [F02S] and "Front White Rib Pneumatic-Shaped Cushion Tire" [F02T].  
Must specify the packing order.
  - 7) Not available for "Rear Rib Pneumatic-Shaped Cushion Tire" [F42S] and "Rear White Rib Pneumatic-Shaped Cushion Tire" [F42T].  
Must specify the packing order.
  - 8) Not available for "Australia Spec." [A20B].
- ★ Please see the "Matching Options".
- ☆ Please see the chart below for the item.

## TIRE AVAILABILITY

(August 2017)

Model	Tire Arrangement	Tire Size	Rim Size (Type)	Pneumatic Tire	Pneumatic-Shaped Cushion Tire	
					Rib Pattern	Rib Pattern (White)
CBT4.6	Front	3.50-5-6PR	3.00SP DT (Divided)	○		
		3.50-5	3.00SP DT (Divided)		● [F02S]	● [F02T]
	Rear	4.00-8-6PR	3.00D DT (Divided)	○		
		4.00-8	3.00D DT (Divided)		● [F42S]	● [F42T]

INDEX: ● Available

## AVAILABILITY OF BATTERY CHARGER (December 2021)

### Full Automatic Charger

Battery Voltage V	Battery Capacity AH/5HR	AC Input Voltage V	Manufacturer	CBTY4
48	160-165	200	Kyoto Denkiki	●
	225-250	200		●
48	160-165	400	Kyoto Denkiki	●
	225-250	400		●

INDEX: ● Available

## BATTERY AVAILABILITY (May 2009)

Model	Battery		
	V	AH/HR	
CBTY4	48	160/5	●
		165/5	●
		225/5	●
		250/5	●

INDEX: ● Available

## MATCHING OPTIONS (July 2022)

(Column figures refer to matching with to the items listed at left)

Item	Code	1	2	3	4	5	6	7	8	9	10	11	12	13	14	15	16	17	18	19	20	
Australia Spec.	A20B	1																				
Charger: Off Truck	C30L	2																				
Battery: Installed	D00C	3																				
Key-less Ignition Switch	D29A	4	X																			
Floor Switch w/ Hour Meter	G41C	5	X																			
Floor Parking Pedal	G41D	6				X																
Floor Parking Pedal w/ Hour Meter	G41E	7				X	X															
Front Tire: Rib Nonpunc.	F02S	8																				
Rear Tire: Rib Nonpunc.	F42S	9																				
Front Tire: White Rib Nonpunc.	F02T	10							X													
Rear Tire: White Rib Nonpunc.	F42T	11								X												
Spare Tire, Front	F30A	12							X		X											
Spare Tire, Rear	F75A	13								X	X											
LED Yellow Beacon	J19S	14																				
Strobe Light Wiring	J35A	15													X							
Forward/Reverse Chime	K21A	16																				
Back-up Buzzer	K21D	17																X				
USA Spec.	A20A	18	X	X	X			X	X						X				X			
OPS decal	S35A	19																				
Charger: Off Truck 400V	C30M	20	X																		X	

INDEX: X Not available.

NOTE: For other matching please consult us.

# SPECIFICATIONS OF BATTERY

(September 2020)

## STD Type

Battery Voltage V	Battery Capacity AH/5HR	Manufacturer	Battery Cell			Container Height mm	Weight (w/case) kg	Model	
			Type	Length mm	Width mm			CBTY4	Operating Time
48	160	LIFTTOP	VCD160A	90	158	468	350	●	8h56m
	165	GS YUASA	VCD3A	60	158	468	285	●	9h14m
	225	GS YUASA	VGC225	90	158	468	380	●	12h47m
	250	LIFTTOP	VCD250	90	158	468	420	●	14h15m

INDEX: ● Available

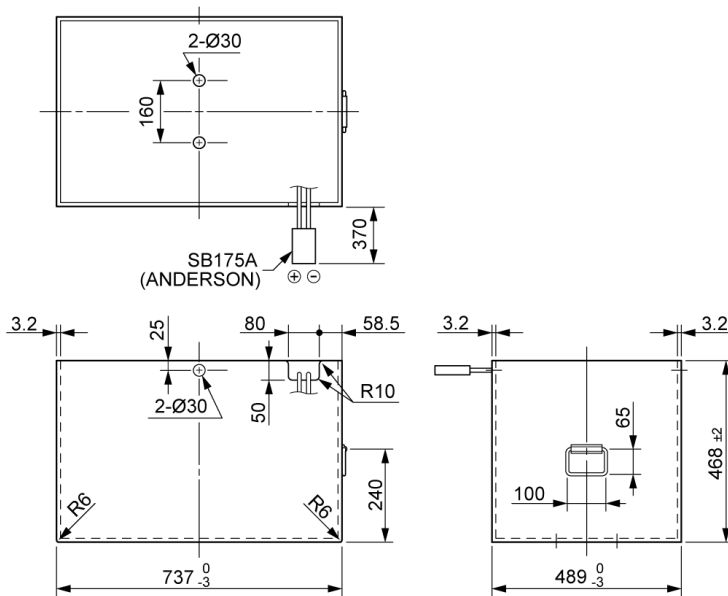
## Battery Connector Type

Battery	SB175A (ANDERSON)
---------	-------------------

## Dimensions of Battery Case

(September 2004)

Unit: mm



## Dimensions of Battery Compartment

Model		CBTY4
Width	mm	742
Length	mm	499
Height	mm	475