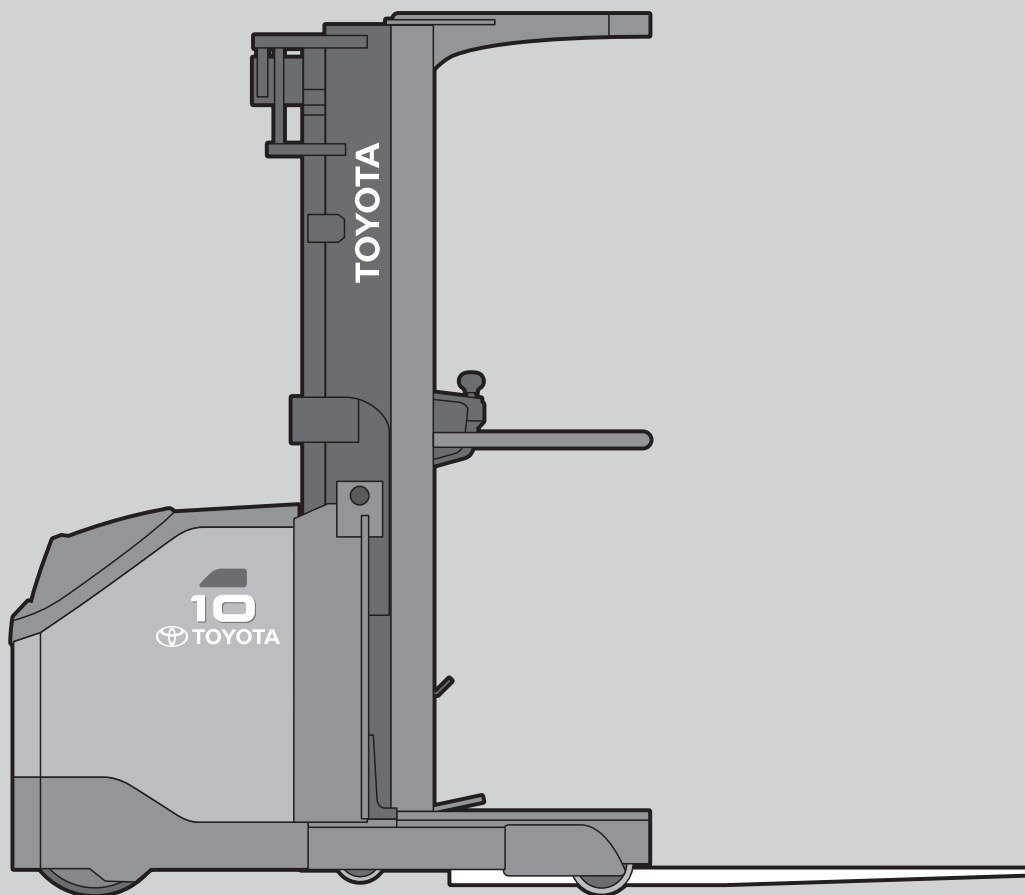


ELECTRIC POWERED ORDER PICKING TRUCK

8FBP 0.7 to 1.5 Ton
Series



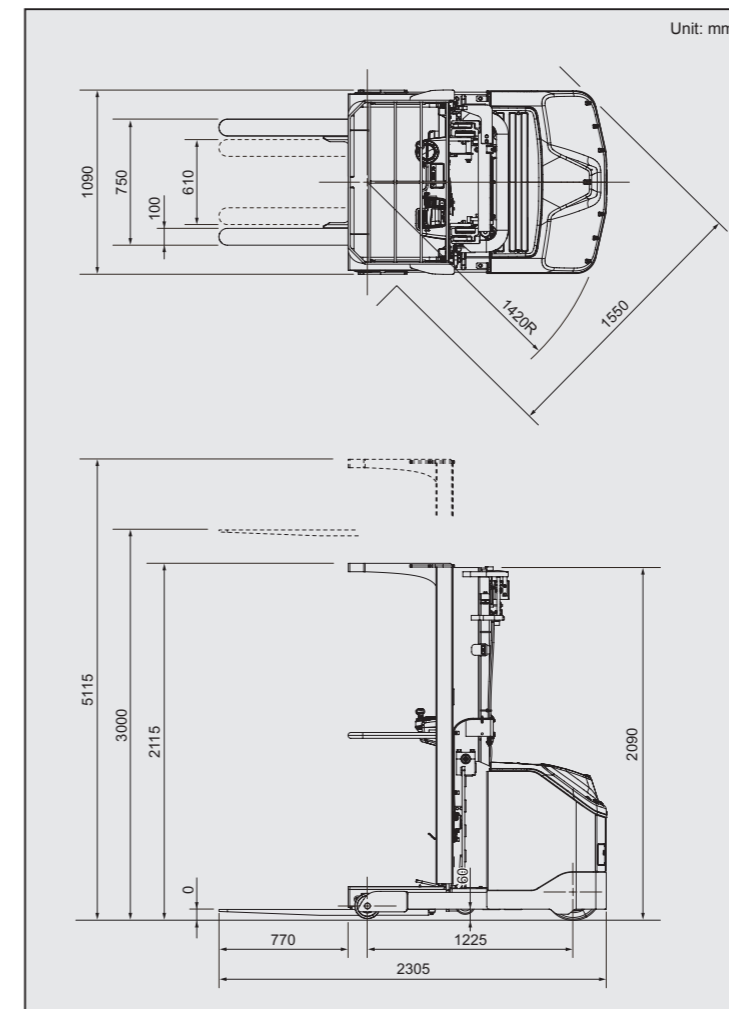
 **TOYOTA**

MAIN VEHICLE SPECIFICATIONS

Characteristics				TOYOTA	TOYOTA	TOYOTA	TOYOTA		
1	Manufacturer			TOYOTA	TOYOTA	TOYOTA	TOYOTA	1	
2	Model			8FBP7	8FBP9	8FBP10	8FBP15	2	
3	Load Capacity	kg		700	900	1000	1500	3	
4	Load Center	mm		500	500	600	600	4	
6	Operator Position			Stand On	Stand On	Stand On	Stand On	6	
Dimensions									
9	Maximum Fork Height (MFH)	mm		3000	3000	3000	3000	9	
10	Free Lift	mm		0	0	0	0	10	
13	Fork Size	T x W x L		mm	35/100/770	35/100/920	35/100/920	13	
	Fork Spread (Outside)	MAX./MIN.		mm	750/610	750/610	750/610		
	Overall Length	mm		2305	2455	2455	2565		
15	Length to Fork Face	mm		1535	1535	1535	1645	15	
16	Overall Width	mm		1090	1090	1090	1090	16	
17	Mast Lowered Height	mm		2090	2090	2090	2090	17	
18	Mast Extended Height	mm		5115	5115	5115	5115	18	
19	Overhead Guard Height	mm		2115	2115	2115	2115	19	
	Front Overhang	mm		195	195	195	195		
21	Turning Radius (Outside)	mm		1420	1420	1420	1520	21	
	Intersecting Aisle Width	mm		1550	1570	1570	1620		
	Intersecting Aisle Width (With pallets 1100 x 1100)*	mm		1850	1850	1850	1890		
	Right Angle Stacking Aisle Width (With pallets 1100 x 1100)*	mm		2950	2950	2950	3050		
Performance									
24	Speeds	Travel, Max.** (FWD/RVS)	Full Load	km/h	8.5	8.0	8.0	7.5	24
			No Load	km/h	9.0	9.0	9.0	8.0	
		Lifting	Full Load	mm/s	240	220	220	200	25
			No Load	mm/s	330	330	330	330	
		Lowering	Full Load	mm/s	260	260	260	260	26
			No Load	mm/s	260	260	260	260	
29	Gradeability	No Load	3-Minute Ratings	% (tanθ)	10	10	10	10	29
Weight									
32	Total Weight	with Battery		kg	1890	1980	2010	2320	32
33	Weight Distribution (With Minimum Battery)	Load wheel/ Drive wheel	Full Load	kg	1840/750	2150/670	2400/610	3230/590	33
34			No Load	kg	780/1110	810/1170	810/1200	910/1410	34
Wheels and Tires									
35	Tires	Number	Load wheel		2	2	2	2	35
			Drive wheel		1	1	1	1	
36		Size	Load wheel		ø150 x 73 (Urethane)	ø152 x 102 (Urethane)	ø152 x 102 (Urethane)	ø152 x 102 (Urethane)	36
37			Drive wheel		ø330 x 145 (Rubber)	ø330 x 145 (Rubber)	ø330 x 145 (Rubber)	ø330 x 145 (Urethane)	37
38	Wheelbase	mm		1225	1225	1225	1335	38	
39	Tread	Load wheel		mm	965	965	965	39	
41	Underclearance	Center of Wheelbase		mm	60	60	60	41	
42	Brake	Service Brake			Regenerative (Drive Motor)	Regenerative (Drive Motor)	Regenerative (Drive Motor)	Regenerative (Drive Motor)	42
43		Parking Brake			Mechanical	Mechanical	Mechanical	Mechanical	43
Drive Unit and Control									
45	Battery	Voltage/Capacity (5-hour rating)	Min.	V/AH	48/165	48/201	48/201	48/240	45
			Max.	V/AH	48/240	48/240	48/240	48/280	
46		Weight (with Case, Min.Capacity Type)	kg		310	355	355	395	46
47		Drive	kW		4.9	4.9	4.9	4.9	47
48	Electric Motors	Load Handling	kW		8.0	8.0	8.0	8.0	48
		Power Steering	kW		0.26	0.26	0.26	0.26	
54	Control Type	Drive			MOS inverter	MOS inverter	MOS inverter	MOS inverter	54
		Load Handling			MOS inverter	MOS inverter	MOS inverter	MOS inverter	
		Power Steering			Transistor chopper	Transistor chopper	Transistor chopper	Transistor chopper	

NOTE: * Safety clearance of 200mm is included.
** Height of 0.5m and under.

DIMENSIONAL DRAWINGS

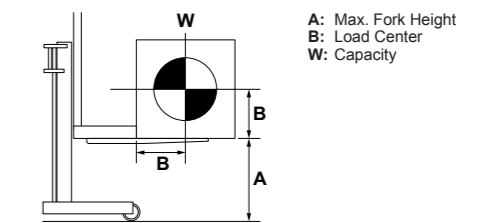


RATED CAPACITIES

Unit: kg (W)

V Mast						
A (mm)	3000	3500	4000	4500	5000	
400	700	700	600	500	400	
500	700	700	600	500	400	
600	600	600	520	430	350	
700	520	520	460	380	310	
800	460	460	400	330	270	
900	420	420	360	300	240	
1000	390	390	330	280	220	
1100	360	360	300	260	200	
1200	330	330	280	240	180	

FSV Mast		
A (mm)	4700	5000
400	450	350
500	450	350
600	390	310
700	340	270
800	310	240
900	280	220
1000	250	200
1100	230	180
1200	220	170

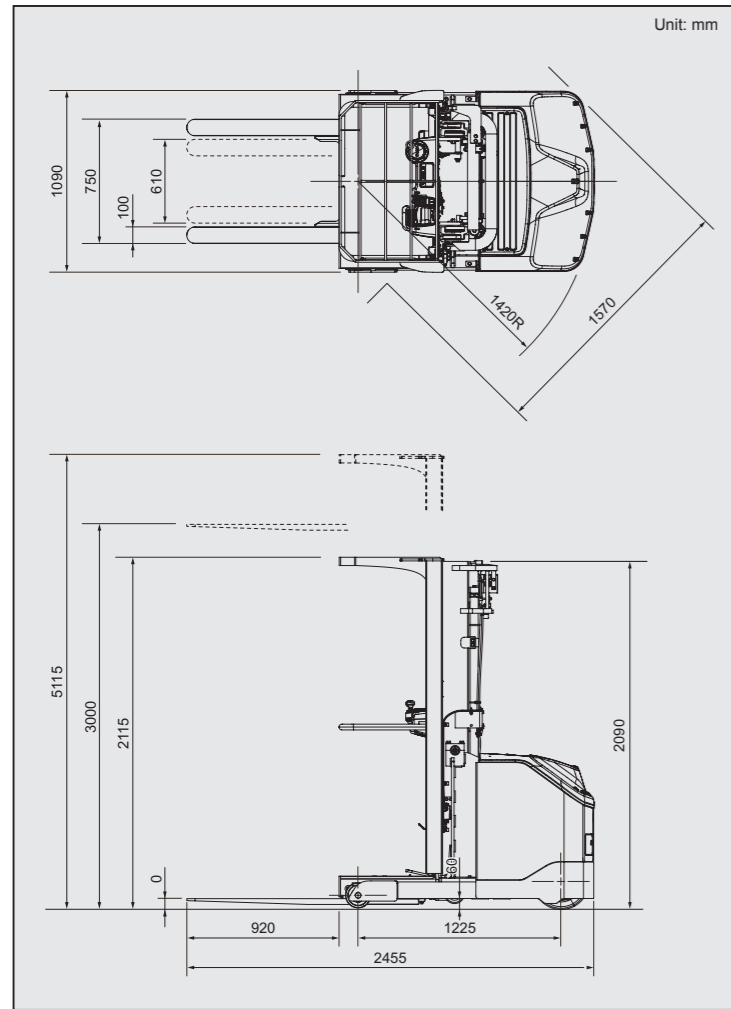


MAST SPECIFICATIONS & RATED CAPACITIES

Wide Visible Mast (V), Wide Visible Full-Free Lift Three-Stage Mast (FSV)

Mast Type	Maximum Fork Height	Overall Mast Height		Underclearance		Free Lift	Load Capacity at 500mm LC
		Lowered	Extended	Mast	Fork		
	mm	mm	mm	mm	mm	mm	kg
Wide Visible Mast (V)	3000	2090	5115	60	55	0	700
	3500	2350	5615	60	55	0	700
	4000	2590	6115	60	55	0	600
	4500	3040	6615	60	55	0	500
	5000	3290	7115	60	55	0	400
Wide Visible Full-Free Lift Three-Stage Mast (FSV)	4700	2350	6815	60	55	0	450
	5000	2450	7115	60	55	0	350

DIMENSIONAL DRAWINGS



RATED CAPACITIES

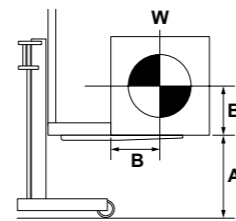
Unit: kg (W)

V Mast

A (mm)	3000	3500	4000	4500	5000
400	900	900	700	600	500
500	900	900	700	600	500
600	770	770	600	520	430
700	680	680	530	450	380
800	600	600	470	400	340
900	550	550	420	360	300
1000	500	500	390	330	280
1100	460	460	350	300	250
1200	420	420	330	280	230

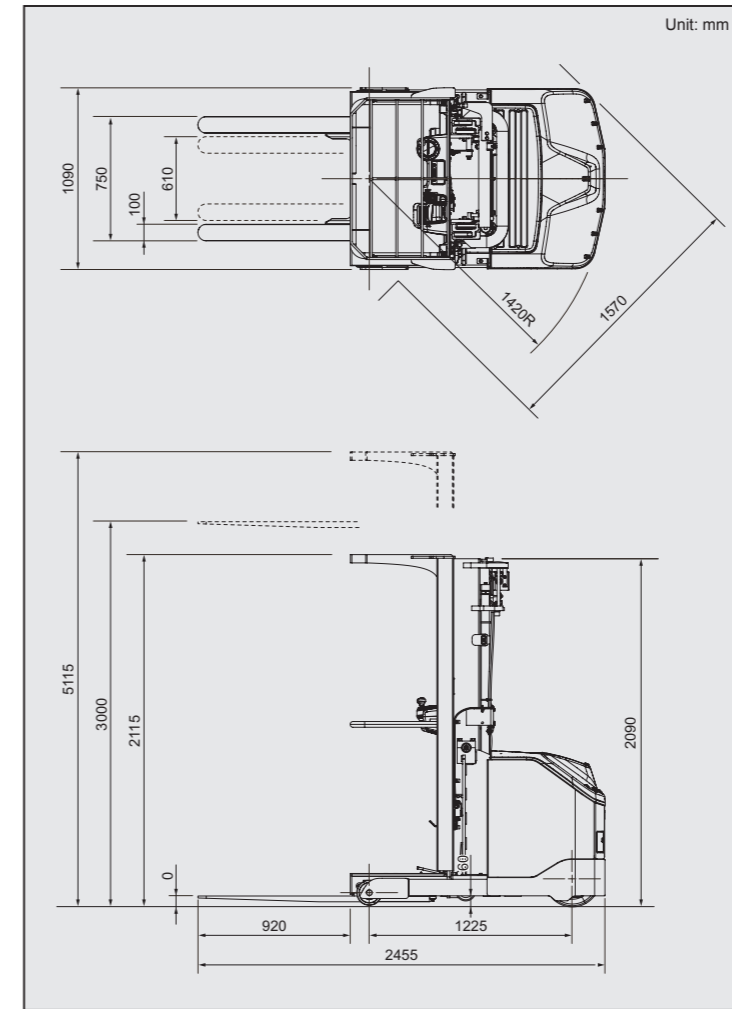
FSV Mast

A (mm)	4700	5000
400	500	400
500	500	400
600	430	350
700	380	310
800	340	270
900	310	250
1000	280	230
1100	260	210
1200	240	190



A: Max. Fork Height
B: Load Center
W: Capacity

DIMENSIONAL DRAWINGS



RATED CAPACITIES

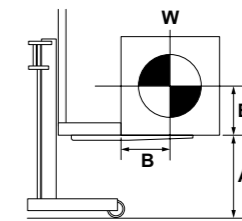
Unit: kg (W)

V Mast

A (mm)	3000	3500	4000	4500	5000
500	1000	1000	800	700	600
600	1000	1000	800	700	600
700	880	880	700	610	530
800	780	780	630	550	470
900	700	700	560	490	420
1000	640	640	510	450	380
1100	590	590	470	410	350
1200	540	540	430	380	330
1300	510	510	400	350	300

FSV Mast

A (mm)	4700	5000	5500	6000
500	650	600	450	350
600	650	600	450	350
700	570	530	400	310
800	510	470	360	280
900	460	430	320	250
1000	420	390	290	230
1100	390	360	270	210
1200	360	330	250	190
1300	340	310	230	180



A: Max. Fork Height
B: Load Center
W: Capacity

MAST SPECIFICATIONS & RATED CAPACITIES

Wide Visible Mast (V), Wide Visible Full-Free Lift Three-Stage Mast (FSV)

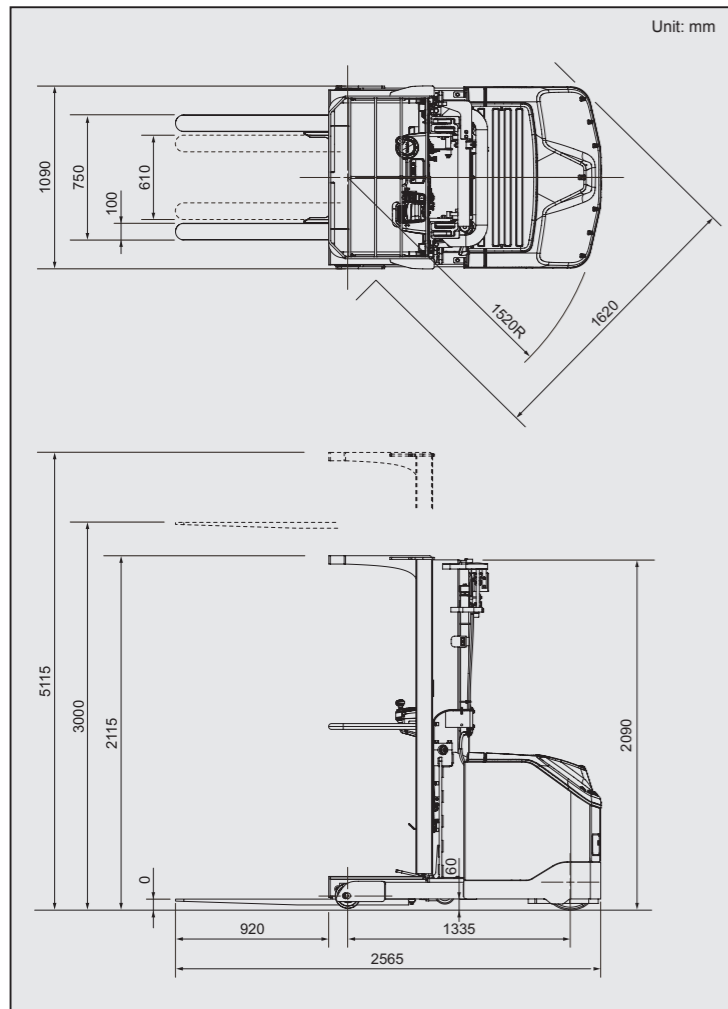
Mast Type	Maximum Fork Height	Overall Mast Height		Underclearance		Free Lift	Load Capacity at 500mm LC
		Lowered	Extended	Mast	Fork		
		mm	mm	mm	mm	kg	kg
Wide Visible Mast (V)	3000	2090	5115	60	55	0	900
	3500	2350	5615	60	55	0	900
	4000	2590	6115	60	55	0	700
	4500	3040	6615	60	55	0	600
	5000	3290	7115	60	55	0	500
Wide Visible Full-Free Lift Three-Stage Mast (FSV)	4700	2350	6815	60	55	0	500
	5000	2450	7115	60	55	0	400

MAST SPECIFICATIONS & RATED CAPACITIES

Wide Visible Mast (V), Wide Visible Full-Free Lift Three-Stage Mast (FSV)

Mast Type	Maximum Fork Height	Overall Mast Height		Underclearance		Free Lift	Load Capacity at 600mm LC
		Lowered	Extended	Mast	Fork		
		mm	mm	mm	mm	mm	kg
Wide Visible Mast (V)	3000	2090	5115	60	55	0	1000
	3500	2350	5615	60	55	0	1000
	4000	2590	6115	60	55	0	800
	4500	3040	6615	60	55	0	700
	5000	3290	7115	60	55	0	600
Wide Visible Full-Free Lift Three-Stage Mast (FSV)	4700	2350	6815	60	55	0	650
	5000	2450	7115	60	55	0	600
	5500	2660	7625	60	55	0	450
	6000	2850	8115	60	55	0	350

DIMENSIONAL DRAWINGS



RATED CAPACITIES

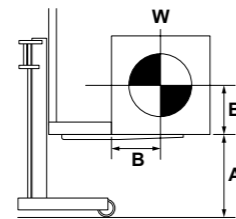
Unit: kg (W)

V Mast

A (mm)	3000	3500	4000	4500	5000
500	1500	1500	1100	1000	900
600	1500	1500	1100	1000	900
700	1320	1320	970	880	790
800	1170	1170	860	780	700
900	1060	1060	770	700	630
1000	960	960	710	640	580
1100	880	880	650	590	530
1200	820	820	600	540	490
1300	760	760	560	510	450

FSV Mast

A (mm)	4700	5000	5500	6000
500	800	800	600	450
600	800	800	600	450
700	710	710	530	400
800	630	630	470	360
900	570	570	430	320
1000	520	520	390	290
1100	480	480	360	270
1200	440	440	330	250
1300	410	410	310	230



A: Max. Fork Height
B: Load Center
W: Capacity

8FBP7. 9. 10. 15

- Wide Visible Mast (V) [MFV:3000 mm]
- Overhead guard
- Power select function
- Power keep function
- Auto power-off function
- Anti-rollback
- Automatic vehicle-speed control
- Fork stuck descent stop
- Turn signal lights
- Battery hood stopper
- Electric horn
- Electric power steering (EPS)
- Load-handling thumb lever
- Digital multifunction display
(Battery capacity indicator, power-select function indicator, Overheat warning, Hour meter, Battery over discharge warning, Battery remaining-charge warning, Return-to-neutral warning, Digital diagnosis, Low temperature warning, Gate close drive / lift stop warning, Wheel indicator)
- Auto pallet clamp
- Pre-auto stop function / Shock less descent stop function
- Center, width and corner marker
- Guard bar
- Safety belt
- Floor mat

MAST SPECIFICATIONS & RATED CAPACITIES

Wide Visible Mast (V), Wide Visible Full-Free Lift Three-Stage Mast (FSV)

Mast Type	Maximum Fork Height	Overall Mast Height		Underclearance		Free Lift	Load Capacity at 600mm LC
		Lowered	Extended	Mast	Fork		
		mm	mm	mm	mm		
Wide Visible Mast (V)	3000	2090	5115	60	55	0	1500
	3500	2350	5615	60	55	0	1500
	4000	2590	6115	60	55	0	1100
	4500	3040	6615	60	55	0	1000
	5000	3290	7115	60	55	0	900
Wide Visible Full-Free Lift Three-Stage Mast (FSV)	4700	2350	6815	60	55	0	800
	5000	2450	7115	60	55	0	800
	5500	2660	7625	60	55	0	600
	6000	2850	8115	60	55	0	450

Availability and specifications are determined regionally and are subject to change without notice.
Please consult your Toyota representative for details.

All rights reserved by Toyota Industries Corporation.



TOYOTA MATERIAL HANDLING INTERNATIONAL

All rights reserved by Toyota Industries Corporation.

S.S.8FBP7-15/E-1211/ © /Printed in Japan/No.720730E0/400