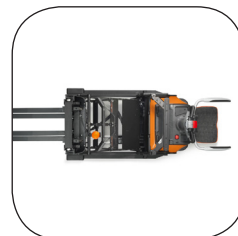


Stacker truck 1.2 ton

BT staxio

P-series

SPE120XRD



Pedestrian stacker double stacking

Specifications					SPE120XRD		
Identification	1.1	Manufacturer				Toyota	
	1.2	Model				SPE120XRD	
	1.3	Drive				Electric	
	1.4	Operator type				Stand on/Pedestrian	
	1.5	Load capacity/rated load	Q	kg		1200/750	
		Double stacking capacity	Q	kg		600+600	
	1.6	Load center	c	mm		600	
	1.8	Load distance, centre of support arm wheel to face of forks	x	mm		663	
	1.9	Wheelbase	y	mm		1515	
Weight	2.1	Service weight incl. battery			kg	1900	
	2.3	Axle load, mast retracted without load, drive/fork wheel			kg	1240/660	
	2.4	Axle load, mast extended with load, drive/fork wheel			kg	325/2775	
	2.5	Axle load, mast retracted with load, drive/fork wheel			kg	1320/1780	
Wheels	3.1	Drive/castor/fork wheel				Vulkollan®/ — /Vulkollan®	
	3.2	Wheel size, front			mm	250	
	3.3	Wheel size, rear			mm	140	
	3.7	Track width, rear	b ₁₁	mm		810/995	
Dimensions	4.2	Height, mast lowered	h ₁	mm		1797	
	4.3	Free lift	h ₂	mm		132	
	4.4	Lift	h ₃	mm		2400	
		Lift height	h ₂₃	mm		2450	
	4.5	Height, mast extended	h ₄	mm		2948	
	4.6	Initial lift	h ₅	mm		300	
	4.8	Stand height	h ₇	mm		190	
	4.9	Height of tiller in drive position, min./max.					
		highest setting	h ₁₄	mm		1201/1413	
		lowest setting	h ₁₄	mm		1101/1313	
	4.10	Height of support arms	h ₈	mm		160	
	4.15	Height, fork lowered	h ₁₃	mm		50	
	4.19	Overall length, platform up/down	l	mm		2280/2730	
	4.20	Length to face of forks, platform up/down	l ₂	mm		1080/1505	
	4.21	Overall width	b ₇ /b ₂	mm		1085	
	4.22	Fork dimensions	s/e/l	mm		35/75/1200	
	4.25	Width over forks	b ₅	mm		Inner forks: 250-340, Outer forks: 510*-750	
	4.26	Distance between support arms	b ₄	mm		665/850	
	4.28	Reach distance	l ₄	mm		810	
4.31	Ground clearance, below mast	m ₁	mm		30		
4.32	Ground clearance, center of wheelbase	m ₂	mm		40		
4.33	Aisle width for pallets 1000x1200 crossways, platform up/down	A _{st}	mm		2648/3098		
4.34	Aisle width for pallets 800x1200 lengthways, platform up/down	A _{st}	mm		2630/3080		
4.35	Turning radius, platform up/down	W _a	mm		1760/2210		
4.37	Length across support arms, platform up/down	l ₇	mm		1830		
Performance data	5.1	Travel speed, with/without load			km/h	6,0/6,0	
		6 km/h version			km/h	7,0/8,0	
	5.2	Lift speed, with/without load			m/s	0,20/0,36	
	5.3	Lowering speed, with/without load			m/s	0,45/0,45	
	5.4	Reach speed, with/without load			m/s	0,15/0,15	
	5.8	Max. gradeability, with/without load ¹⁾			%	8/10	
5.9	Acceleration time (over 10 m)			s	5,8		
5.10	Service brake					Electromagnetic	
Electric motor	6.1	Drive motor rating (S2 60min)			kW	1,8	
		6 km/h version			kW	1,8	
	8 km/h version						
	6.2	Lift motor rating (S3 15%)			kW	3	
	6.4	Battery voltage, nominal capacity K ₃			V/Ah	24/300	
	6.5	Battery weight			kg	195-270	
6.6	Energy consumption acc to VDI cycle			kWh/h	1,1		
Others	8.1	Type of drive control				Variable AC	
	8.4	Sound level at the driver's ear according to EN 12 053			dB (A)	59	

1) Measured according to company standard.

Data is based on standard truck and small battery.

* = Depending on inner forks position

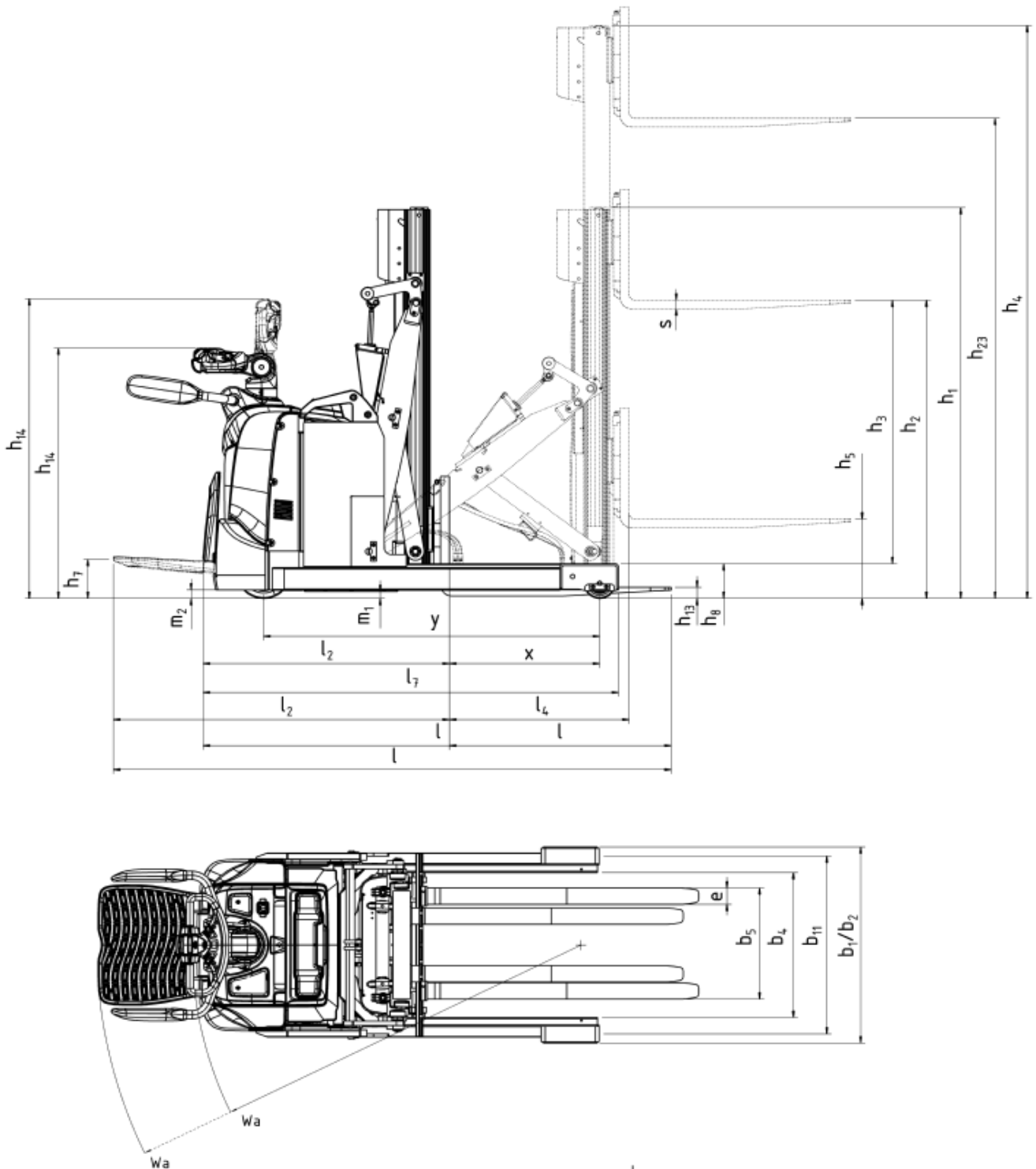
All data are based on table configuration. Other configurations may give other values.

Truck performance and dimensions are nominal and subject to tolerances.

Toyota Material Handling Manufacturing Sweden AB products and specifications are subject to change without notice.

Mast dimensions

SPE120XRD			Duplex Tele	
h_{23}	Lift height ($h_{13}+h_3$)	mm	2450	2750
h_3	Lift	mm	2400	2700
h_1	Height, mast lowered	mm	1797	1947
h_2	Free lift	mm	132	132
h_4	Height, mast extended	mm	2948	3248
h_5	Initial lift	mm	300	300



Truck features:

- 180°+ Power/Electronic steering
- Optimised Truck Performance
- Reach mast with Pantograph fork mechanism
- Double pallet handling
- Adjustable fork width
- Sensi-lift
- Height adjustable tiller arm
- One-touch foldable gates
- Click-2-Creep
- Electronic fingertip controls for all functions
- Access control
- Driver-adapted programmable performance
- Easy access for maintenance
- I_Site (option)
- Li-Ion battery (option)
- Coldstore version (option)

