

ELECTRIC POWERED STACKER

3HFW 0.6 to 0.9 ton

3HFW SERIES



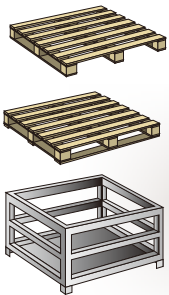
Features and equipment may vary depending on market.

CounterBalanced stacker with Compact Body Complete your Business in narrow space

Compact Body

Suitable for operations in low-ceiling, upper-floor areas and narrow space.

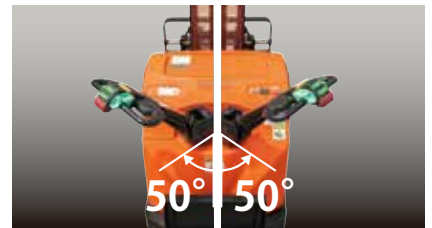
Suitable for Various Pallets



Note: Dimensions are for the 3HFW9 with Single Mast.

Turn Speed Limiter **OPT**

Travel speed is limited when the steering angle is over 50°. It provides great operability with a small turn.



Traveling Creep Speed Function **OPT**

Travel speed is limited when the tiller arm is reclined from 5 to 15°. It provides easy operation in narrow space.



Electric Power Steering **OPT**

This assists easy turning operation in narrow space with less strength.

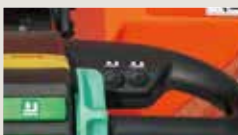
Resin Steering Handle

Comfortable to grip and keeps antistatic, allowing easy operation at hand.



Slow Load Handling Button **OPT**

This realizes precise operations and reduces shock of load handling.



Resin Mast Cover **OPT**

This contributes to prevent damage to the vehicle when load spills.



Emergency Cut-off

In an emergency, all functions will stop by pressing the button.



Flip-up Platform **OPT**

This reduces operator's fatigue during long-distance travel.



 **TOYOTA**

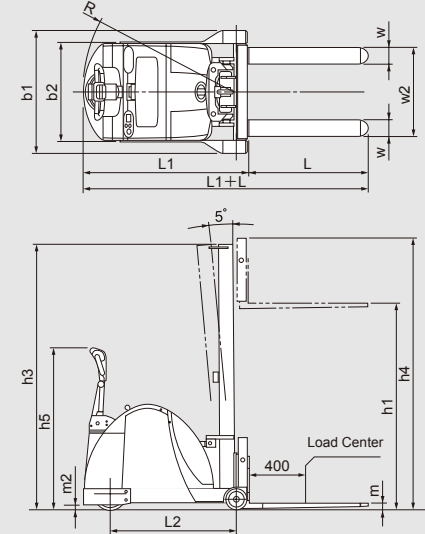
3HFW SERIES

MAIN SPECIFICATIONS

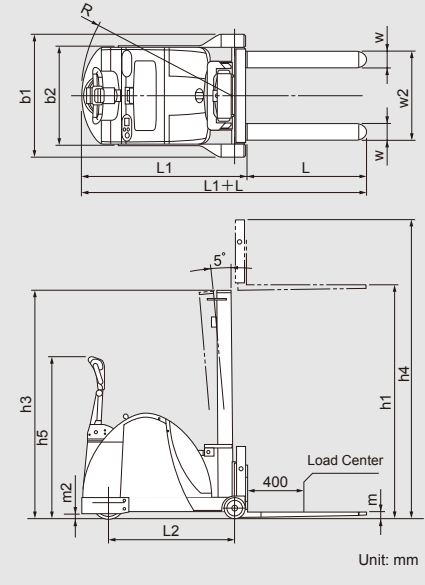
		3HFW6			3HFW9						
		Single Mast [STD]	Double Mast [OPT]		Single Mast [STD]	Double Mast [OPT]					
		1,500 mm	2,500 mm	3,000 mm	1,500 mm	2,500 mm	3,000 mm				
● Performance											
Load Capacity	kg		600	500	500	900	900	800			
Load Center	mm		400	400	400	400	400	400			
Maximum Fork Height	mm	h1	1,500	2,500	3,000	1,500	2,500	3,000			
Lifting Speed	Full Load	mm/sec	105	105	105	105	105	105			
	No Load	mm/sec	195	195	195	195	195	195			
Tilt Range *1 (Backward)	deg		5	5	5	5	5	5			
Travel Speed	Full Load	km/h	4.6	4.6	4.6	4.6	4.6	4.6			
	No Load	km/h	4.6	4.6	4.6	4.6	4.6	4.6			
Gradeability	Full Load	% (tan θ)	7	6.5	3	5	4	3			
	No Load	% (tan θ)	8	8	7	8	8	6			
Turning Radius (Outside)	mm	R	1,095	1,095	1,095	1,245	1,245	1,245			
Right-angle Aisle Width (w/o pallet)	mm		1,205	1,205	1,205	1,270	1,270	1,270			
Right-angle Aisle Width (with pallet) *2	mm		1,635	1,635	1,635	1,660	1,660	1,660			
● Dimensions											
Overall Length	mm	L1+L	2,035	2,035	2,035	2,185	2,185	2,185			
Length to Fork Face	mm	L1	1,185	1,185	1,185	1,335	1,335	1,335			
Overall Width	mm	b1	875	875	875	875	875	875			
	mm	b2	706	706	706	706	706	706			
Mast Lowered Height	mm	h3	1,925	1,700	1,950	1,935	1,710	1,960			
Mast Extended Height	mm	h4	1,970	2,970	3,470	2,025	3,025	3,525			
Height of tiller in drive position, Max.	mm	h5	1,175	1,175	1,175	1,175	1,175	1,175			
Wheelbase	mm	L2	900	900	900	1,050	1,050	1,050			
Fork Length	mm	L	850	850	850	850	850	850			
Fork Width	mm	w	115	115	115	115	115	115			
Width, Over forks, Max.	mm	w2	645	645	645	645	645	645			
Height, Fork lowered	mm	m	45	45	45	45	45	45			
Underclearance, Min.	mm	m2	30	30	30	30	30	30			
Total Weight (w/o Battery)	kg		780	840	970	995	1,175	1,195			
● Wheels and Tires											
Drive Wheel	mm		ø230×70	ø230×70	ø230×70	ø230×70	ø230×70	ø230×70			
Load Wheel	mm		ø150×65	ø150×65	ø150×65	ø150×65	ø150×65	ø150×65			
● Control Type											
Drive	-		Transistor Chopper			Transistor Chopper					
● Electric Motors											
Drive	kW		AC 0.85	AC 0.85	AC 0.85	AC 0.85	AC 0.85	AC 0.85			
Load Handling	kW		1.5	1.5	1.5	1.5	1.5	1.5			
● Battery *1											
Type	-		EB	EB	EB	EB	Clad	EB	Clad	EB	Clad
Voltage	V		24	24	24	24	24	24	24	24	24
Capacity	AH/5HR		65	65	65	100	164	100	164	100	164
Weight	kg		25×2	25×2	25×2	35×2	150×1	35×2	150×1	35×2	150×1

*1 Option. *2 Pallet size: 1,100mm×1,100mm (includes a clearance of 200mm)

Single Mast



Double Mast [OPT]



RATED CAPACITIES (kg)

	Maximum Fork Height (mm)	Load Center (mm)						
		400	500	600	700	800	900	1,000
3HFW6	400	600	480	400	330	270	220	180
	1,500	600	480	400	330	270	220	180
	2,500/3,000	500	400	330	270	220	180	150
3HFW9	400	900	720	590	510	440	390	350
	1,500/2,500	900	720	590	510	440	390	350
	3,000	800	640	530	450	390	340	310

BATTERY AVAILABILITY

		Charger			
		3HFW6	3HFW9	On-truck	Off-truck
Battery	24V 65Ah	●		●	●
	24V 100Ah		●	●	●
	24V 164Ah		●		●

FORK AVAILABILITY

	Fork	3HFW6	3HFW9
		770 mm	●
850 mm	○	○	
920 mm	●	●	
1,070 mm	●	●	
1,150 mm	●	●	

○ : Standard ● : Available

The data in this brochure was determined based on our standard testing condition. Operating performance may vary depending on the actual specifications and condition of the vehicle, as well as the conditions of the operating area.

Due to photography and printing, color of actual vehicle may vary from this brochure. Some photos have been computer-enhanced.

Availability and specifications are determined regionally and are subject to change without notice.

Safe forklift operation is achieved by proper operator training and proper worksite rules. Please consult your Toyota representative regarding forklift selection and operator training.

Please consult your Toyota representative for details.

All rights reserved by Toyota Industries Corporation.



TOYOTA MATERIAL HANDLING INTERNATIONAL

LF.3HFW6-9 (E) / E-1809/©/Printed in Japan/No.711600E0/1,000