

Pedestrian lowlifter truck 1.4 - 1.6 ton



BT levio

W-series

LWE140

LWE160



Pedestrian lowlifter truck

Specification for lowlifter trucks						LWE140	LWE160
Identification	1.1	Manufacturer				Toyota	Toyota
	1.2	Model				LWE140	LWE160
	1.3	Drive				Electric	Electric
	1.4	Operator type				Pedestrian	Pedestrian
	1.5	Load capacity/rated load	Q	kg	1400	1600	
	1.6	Load centre	c	mm	600	600	
	1.8	Load distance, centre of support arm wheel to face of forks (forks raised/lowered)	x	mm	928/983 *)	928/983 *)	
	1.9	Wheelbase (forks raised/lowered)	y	mm	1260/1315	1317/1372	
	Weight	2.1	Service weight including battery		kg	419	472
2.2		Axle load, with load, drive/castor/fork wheel		kg	590/150/1115	695/150/1275	
2.3		Axle load, without load, drive/castor/fork wheel		kg	200/150/105	255/150/115	
Wheels	3.1	Drive/castor/fork wheel				Polyurethane	Polyurethane
	3.2	Wheel size, front		mm	Ø230x70	Ø230x70	
	3.3	Wheel size, rear		mm	Ø85x100	Ø85x100	
	3.4	Additional wheels (dimensions)		mm	Ø125x50	Ø125x50	
	3.5	Wheels, number front/rear (x = driven wheels)			1x+2/2	1x+2/2	
	3.6	Track width, front	b ₁₀	mm	430	430	
	3.7	Track width, rear	b ₁₁	mm	394	394	
Dimensions	4.4	Lift	h ₃	mm	120	120	
		Lift height	h ₂₃	mm	205	205	
	4.9	Height of tiller in drive position, min./max.	h ₁₄	mm	865/1235	865/1235	
	4.15	Height, fork lowered	h ₁₃	mm	85	85	
	4.19	Overall length	l ₁	mm	1631	1688	
	4.20	Length to face of forks	l ₂	mm	481	538	
	4.21	Overall width	b ₁	mm	726	726	
	4.22	Fork dimensions	s/e/l	mm	76/156/1150 *)	76/156/1150 *)	
	4.25	Width over forks	b ₅	mm	550 *)	550 *)	
	4.32	Ground clearance, centre of wheelbase	m ₂	mm	21	21	
	4.34.1	Aisle width for pallets 1000x1200 crossways	A _{st}	mm	2233	2290	
	4.34.2	Aisle width for pallets 800x1200 lengthways	A _{st}	mm	2113	2170	
	4.35	Turning radius	W _a	mm	1429	1486	
Performance data	5.1	Travel speed, with/without load		km/h	6/6	6/6	
	5.2	Lift speed, with/without load		m/s	0,04/0,05	0,04/0,05	
	5.3	Lowering speed, with/without load		m/s	0,09/0,08	0,09/0,08	
	5.8	Max. gradeability, with/without load		%	8/18 ¹⁾	8/18 ¹⁾	
	5.10	Service brake			Electromagnetic	Electromagnetic	
Electric motor	6.1	Drive motor rating S2 60 min		kW	1,0	1,0	
	6.2	Lift motor rating at S3 15%		kW	1,0 ²⁾	1,0 ²⁾	
	6.4	Battery voltage/nominal capacity K _s		V/Ah	24/150	24/225 *)	
	6.5	Battery weight		kg	144 ¹⁾	192 ¹⁾	
	6.6	Energy consumption acc. to VDI cycle		kWh/h	0,28	0,28	
		Energy consumption acc. to EN16796:2016		kWh/h	0,27	0,27	
	6.7	Turnover output		t/h	86,5	104,5	
	6.8	Energy consumption at turnover output		kWh/h	0,65	0,72	
Others	8.1	Type of drive control			Variable AC	Variable AC	

¹⁾ Measured according to company standard

²⁾ S3 10%

*) Further alternatives are available and will produce other values.

Data is based on standard configurations: Small battery compartment (LWE140) and Medium battery compartment (LWE160).

Truck performance and dimensions are nominal and subject to tolerances.

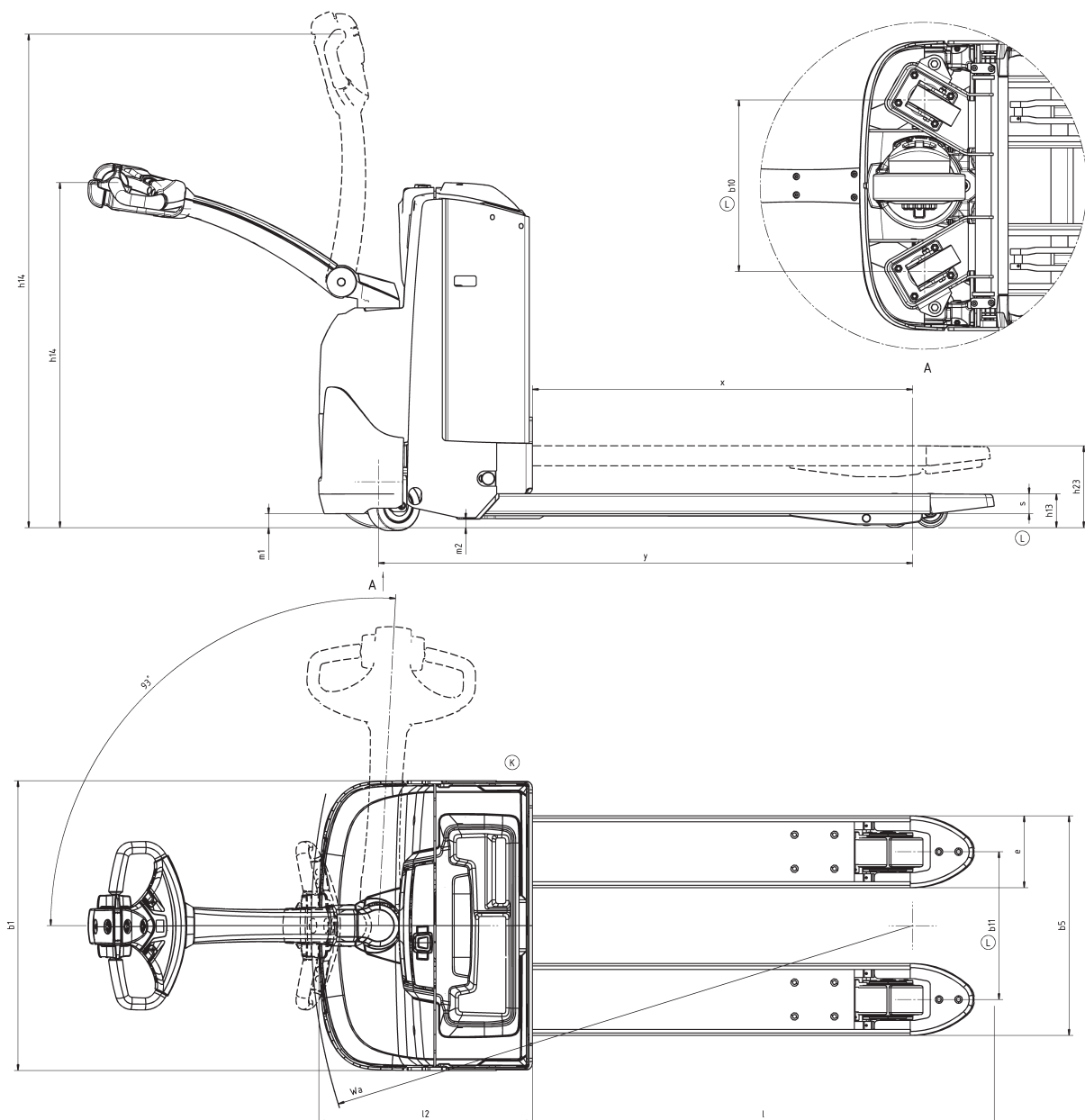
Toyota Material Handling products and specifications are subject to change without notice.

Battery dependent dimensions

BT levio

Dimensions		Battery type		LWE140, LWE160			
				Lead/Acid		Li-Ion	
		Battery Compartment		Small	Medium*	Small	Medium*
1.9	Wheelbase, forks raised/lowered	y	mm	1260/1315	1317/1372	1260/1315	1317/1372
2.1	Service weight including battery		kg	419	472	328	351
4.19	Overall length	l_1	mm	1631	1688	1631	1688
4.20	Length to face of forks	l_2	mm	481	538	481	538
4.34.1	Aisle width for pallets 1000x1200 crossways	A_{st}	mm	2233	2290	2233	2290
4.34.2	Aisle width for pallets 800x1200 lengthways	A_{st}	mm	2113	2170	2113	2170
4.35	Turning radius, forks raised	W_a	mm	1429	1486	1429	1486
6.4	Battery voltage, nominal capacity	K_s	V/Ah	24/150	24/225	24/105	24/150
6.5	Battery weight, nominal		kg	144	192	50	71
	Battery weight, min. - max.		kg	120 - 175	180 - 235	45 - 55	64 - 78

*Valid for LWE160.



Truck features:

- BT Powerdrive System
- BT Castorlink System
- Click-2-creep
- Fingertip controls
- Temporary speed reduction - turtle button (option)
- Electronic braking system
- Electronic speed control
- Operator safety
- Storage compartments
- Automatic switch-off
- Programmable performance
- Easy access for maintenance
- Built in charger (option)
- Toyota I_site: truck fleet management system (option)
- Hydraulic oil for low temperatures (option)

