

Reach truck 1.4 -1.6 t

BT reflex

N-series

RRE140HN

RRE160HN



Reach truck

Specifications					RRE140HN	RRE160HN
Identification	1.1	Manufacturer			Toyota	Toyota
	1.2	Model			RRE140HN	RRE160HN
	1.3	Drive			Electric	Electric
	1.4	Operator type			Seated	Seated
	1.5	Load capacity/rated load	Q	kg	1400	1600
	1.6	Load centre	c	mm	600	600
	1.8	Load distance, centre of support arm wheel to face of fork	x	mm	341 *)	341 *)
	1.9	Wheelbase	y	mm	1342	1342
	Weight	2.1	Service weight including battery		kg	3190
2.3		Axle load, mast retracted without load, drive/support arm wheel		kg	1953/1237	1953/1237
2.4		Axle load, mast extended with load, drive/support arm wheel		kg	575/4011	453/4332
2.5		Axle load, mast retracted with load, drive/support arm wheel		kg	1627/2960	1568/3219
Wheels		3.1	Drive/support arm wheel			Polyurethane
	3.2	Wheel size, front		mm	ø343x140	ø343x140
	3.3	Wheel size, rear		mm	ø250x85	ø250x85
	3.5	Wheels, number front/rear (x = driven wheels)			1x/2	1x/2
	3.7	Track width, rear	b ₁₁	mm	988	988
Dimensions	4.1	Tilt of fork, forward/backward	α/β	deg	-2/°4° *)	-2/°4° *)
	4.2	Height, mast lowered	h ₁	mm	2887 *)	2887 *)
	4.3	Free lift	h ₂	mm	2403 *)	2403 *)
	4.4	Lift	h ₃	mm	6945 *)	6945 *)
		Lift height	h ₂₃	mm	7000 *)	7000 *)
	4.5	Height, mast extended	h ₄	mm	7540 *)	7540 *)
	4.7	Height of overhead guard (cabin)	h ₆	mm	2198	2198
	4.8	Seat height	h ₇	mm	1136	1136
	4.10	Height support arms	h ₈	mm	270	270
	4.15	Height, forks lowered	h ₁₃	mm	55	55
	4.19	Overall length	l ₁	mm	2413	2413
	4.20	Length to face of forks	l ₂	mm	1263	1263
	4.21	Overall width	b ₁	mm	1120	1120
	4.22	Fork dimensions	s/e/l	mm	40/100/1150 *)	40/100/1150 *)
	4.23	Fork carriage ISO 2328, class/type A, B			2A	2A
	4.24	Fork carriage width	b ₃	mm	819	819
	4.25	Width over forks	b ₅	mm	252-698	252-698
	4.26	Distance between wheel arms/loading surfaces	b ₄	mm	900	900
	4.28	Reach distance	l ₄	mm	503 *)	503 *)
	4.31	Ground clearance, with load, below mast	m ₁	mm	68	68
	4.32	Ground clearance, centre of wheelbase (15 mm under studs)	m ₂	mm	74	74
	4.34.1	Aisle width for pallets 1000x1200 crossways	A _{st}	mm	2695	2695
	4.34.2	Aisle width for pallets 800x1200 lengthways	A _{st}	mm	2751	2751
4.35	Turning radius	W _a	mm	1604	1604	
4.37	Length across support arms	l ₇	mm	1747	1747	
Performance data	5.1	Travel speed, with/without load		km/h	10/11	10/11
	5.1	Travel speed, with/without load (High speed version)		km/h	10/14	10/14
	5.2	Lift speed, with/without load		m/s	0,38/0,68	0,36/0,68
	5.2	Lift speed, with/without load (High speed version) ¹⁾		m/s	0,57/0,92	0,52/0,92
	5.3	Lowering speed, with/without load		m/s	0,55/0,59	0,55/0,59
	5.4	Reach speed, with/without load		m/s	0,20/0,28	0,20/0,28
	5.8	Max. gradeability, with/without load ²⁾		%	10/15	10/15
	5.9	Acceleration time, with/without load (over 10m)		s	4,9/4,6	5,0/4,6
	5.9	Acceleration time, with/without load (over 10m) (High speed version)		s	4,9/4,6	5,0/4,6
	5.10	Service brake			Electric	Electric
Electric motor	6.1	Drive motor rating S2 60 min		kW	9	9
	6.2	Lift motor rating S3 15%		kW	11,0	11,0
	6.2	Lift motor rating S3 15% (High speed version)		kW	15,0	15,0
	6.4	Battery voltage, nominal capacity K _s		V/Ah	48/310 *)	48/310 *)
	6.5	Battery weight		kg	510	510
	6.6	Energy consumption according to EN 16796		kWh/h	—	2,46
	6.7	Turnover output		t/h	—	66,5
	6.8	Energy consumption at turnover output		kWh/h	—	2,58
Other	8.1	Type of drive control			Variable AC	Variable AC
	8.4	Sound level at the driver's ear according to EN 12053		dB(A)	64	64

1) Not in combination with lead acid battery 310 Ah

2) Measured according to company standard

*) Other alternatives are available

All data are based on table configuration. Other configurations may give other values.

Truck performance and dimensions are nominal and subject to tolerances.

Toyota Material Handling Manufacturing Sweden AB products and specifications are subject to change without notice.

Battery dependent dimensions

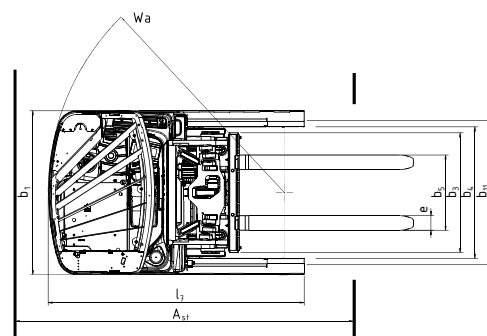
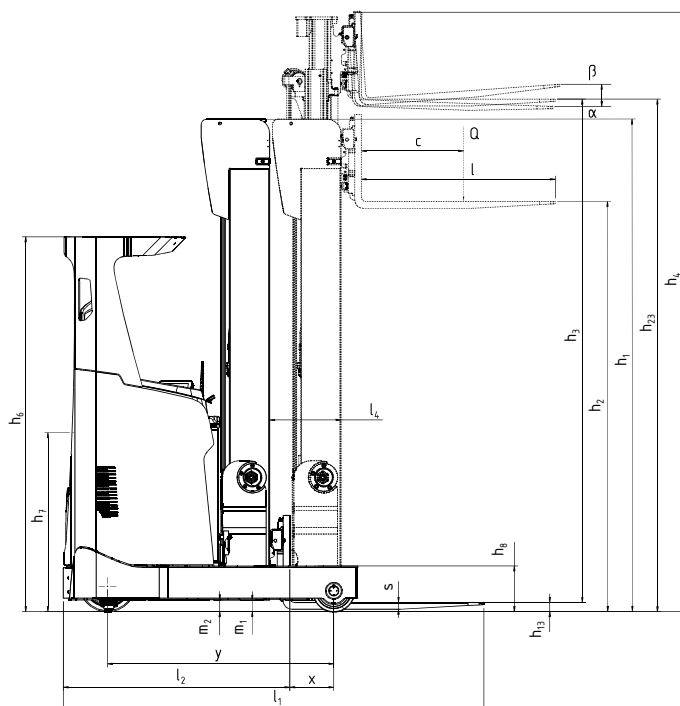
Dimensions				RRE140HN			RRE160HN		
	Battery compartment		mm	275	347	419	275	347	419
1.8	Load distance, centre of supprt arm wheel to face of forks	x	mm	341 ¹⁾	269 ¹⁾	190	341 ¹⁾	269 ¹⁾	190
4.20	Length to face of forks	l_2	mm	1263 ²⁾	1335 ²⁾	1425	1263 ²⁾	1335 ²⁾	1425
4.34.1	Aisle width for pallets 1000x1200 crossways	A_{st}	mm	2695 ²⁾	2750 ²⁾	2812	2695 ²⁾	2750 ²⁾	2812
4.34.2	Aisle width for pallets 800x1200 lengthways	A_{st}	mm	2751 ²⁾	2817 ²⁾	2890	2751 ²⁾	2817 ²⁾	2890
4.35	Turning radius	W_a	mm	1604	1604	1604	1604	1604	1604
6.4	Battery voltage (48V), nominal capacity, Lead-Acid	K_5	V/Ah	48/310	48/465	48/620	48/310	48/465	48/620
	Battery voltage (48V), nominal capacity, Li-Ion	K_5	V/Ah	—	48/300-420	48/300-420	—	48/300-420	48/300-420
6.5	Battery weight, min. - max.		kg	510 - 609	685 - 825	875 - 1030	510 - 609	685 - 825	875 - 1030

1) With battery in sleigh -9 mm

2) With battery in sleigh +9 mm

Mast dimensions

RRE140HN/RRE160HN				Triplex Hi-Lo - A											
	Lift height	h_{23}	mm	4900	5400	5700	6300	7000	7250	7500	8000	8500	9000	9500	10000
4.4	Lift	h_3	mm	4845	5345	5645	6245	6945	7195	7445	7945	8445	8945	9445	9945
4.2	Height, mast lowered	h_1	mm	2187	2354	2454	2654	2887	2971	3054	3221	3387	3554	3721	3887
4.3	Free lift	h_2	mm	1703	1871	1971	2171	2403	2487	2571	2737	2903	3071	3237	3403
4.5	Height, mast extended	h_4	mm	5440	5941	6241	6841	7540	7792	8041	8542	9040	9541	10042	10540





TMHE-Toyota Material Handling Europe — version 2.2 2023-04-24

TOYOTA

MATERIAL HANDLING