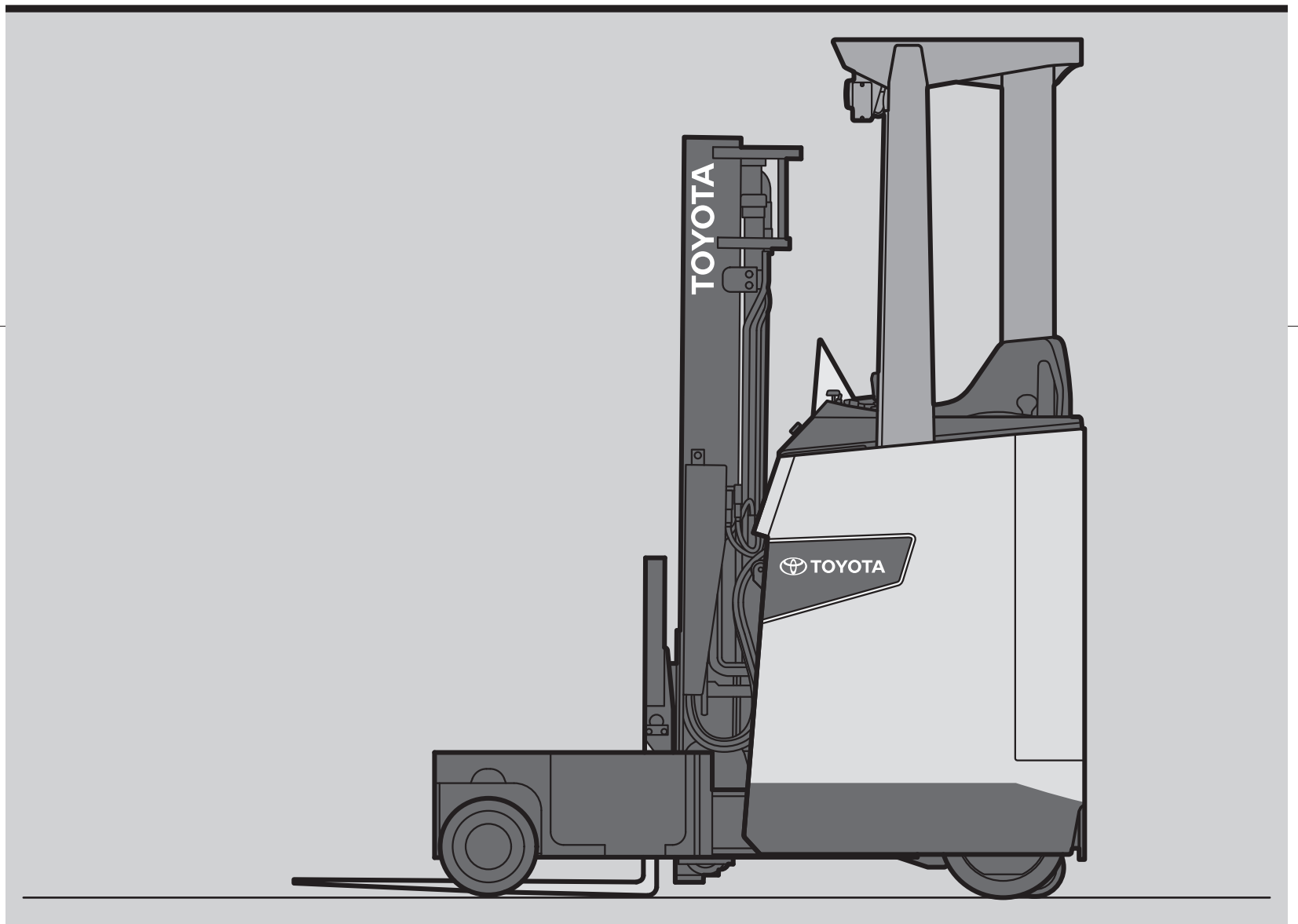


ELECTRIC POWERED 4-WAY REACH TRUCK

8FBS 1.0 to 2.5 Ton Series



 **TOYOTA**

1,000 kg

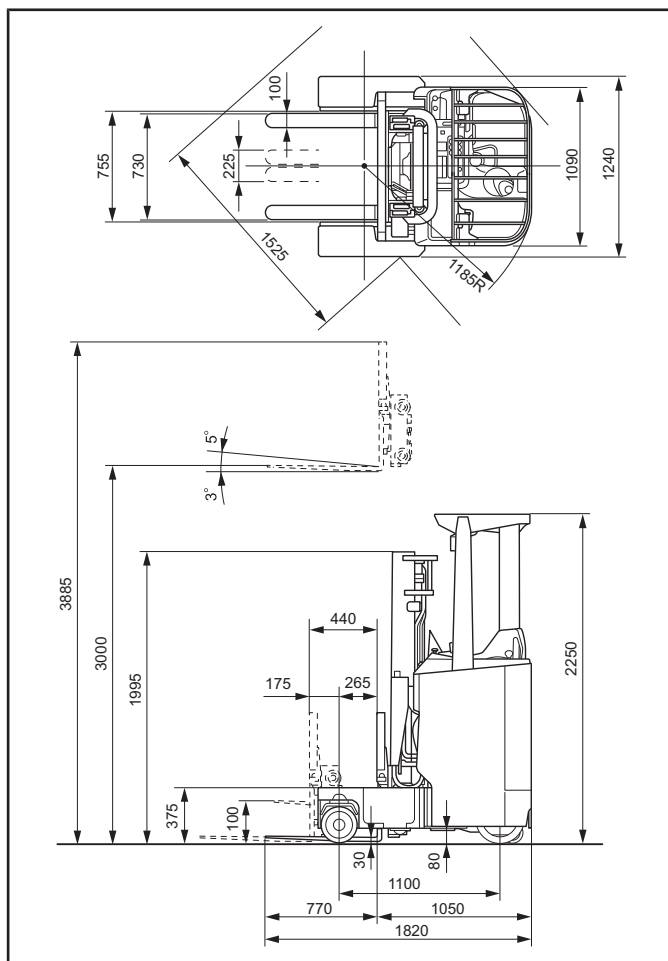
MAIN VEHICLE SPECIFICATIONS

Manufacturer			TOYOTA
Model			8FBS10
Load Capacity	kg	1000	
Load Center	mm	500	
Operator Position			Stand On
Tire Type	Front/Rear	Rubber/Rubber	
Wheels (x = driven)	Front/Rear	2/1x+2	
Maximum Fork Height (MFH)			3000
Free Lift	Standard Type Mast	100	
Fork Size	T x W x L	30x100x770	
Fork Spread (Outside)	MAX./MIN.	730/225	
Tilt Range	Up/Down	5/3	
Length to Fork Face			1050
Width Between Reach Legs			755
Reach Stroke			440
Overall Width			1240
Overall Length	To Fork Tip	1820	
Overall Length	To Tip of Reach Legs	1460	
Frame Width			1090
Height of Reach Legs			375
Mast Lowered Height			1995
Mast Extended Height			3885
Overhead Guard Height			2250
Turning Radius (Outside)		360 Rotation Mode	1185
Load Distance (Centerline of front axle to front face of forks)	Reach In/Reach Out		265/175
Intersecting Aisle Width	No Load (No Pallet)	Right Angle Turn Mode	1525
Right Angle Stacking Aisle Width	Pallet Size 1100x1100 (Add clearance 200 mm)	360 Rotation Mode	2350
Speed	Travel, Max. (FWD/RVS)	Full Load	9.5
		No Load	10.5
	Lifting	Full Load	350
		No Load	560
	Lowering	Full Load	500
		No Load	550
Reach Speed		Reach Out/Reach In	220/240
Gradeability *	Full Load/ No Load	3-Minute Ratings	% (tanθ) 19/32
		5-Minute Ratings	% (tanθ) 19/32
		30-Minute Ratings	% (tanθ) 12/20
Total Weight		With Min. Battery	2050
Weight Distribution	Reach In	Full Load (Front/Rear)	2010/1040
		No Load (Front/Rear)	800/1250
	Reach Out	Full Load (Front/Rear)	2600/450
		No Load (Front/Rear)	990/1060
Tire	Number	Front/Rear	2/1+2
	Size	Front	254x120
		Rear, Drive	334x145
		Rear, Caster	150x80
Wheelbase			1100
Tread	Front		1120
	Rear		650
Underclearance			80
Brake	Center of Wheelbase		Disc
	Service (Foot)		Disc
Battery	Voltage/Capacity (5-hour rating)	STD	V/AH 48/201
	Weight (Min. Capacity Type)		355
Electric Motor	Drive		4.9
	Load Handling		8
	Power Steering		0.26
Control Type	Drive		AC inverter
	Load Handling		AC inverter
	Power Steering		DC chopper
Turning Radius (Outside)	Reach Mode		1340
	Right Angle Turn Mode		1525
Traveling Speed	Parallel Travel/Sideways Travel Mode		5/5

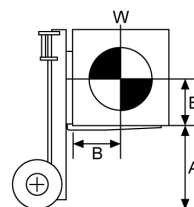
NOTE: * Computed values.

DIMENSIONAL DRAWINGS

Unit: mm



RATED CAPACITIES



A: Max. Fork Height
B: Load Center
W: Capacity

V, SV Mast

Unit: kg (W)

A (mm)	2500	2700	3000	3300	3500	3700	4000	4500	5000
500	1000	1000	1000	1000	1000	1000	1000	1000	900
600	870	870	870	870	870	870	870	870	780
700	770	770	770	770	770	770	770	770	690
800	690	690	690	690	690	690	690	690	620
900	630	630	630	630	630	630	630	630	570
1000	570	570	570	570	570	570	570	570	520
1100	530	530	530	530	530	530	530	530	480
1200	490	490	490	490	490	490	490	490	440
1300	460	460	460	460	460	460	460	460	410

FSV Mast

Unit: kg (W)

A (mm)	3700	4000	4300	4500	4700	5000	5500	6000
500	1000	1000	950	900	900	850	700	550
600	870	870	830	780	780	740	610	480
700	770	770	730	690	690	660	540	420
800	690	690	660	620	620	590	480	380
900	630	630	600	570	570	530	440	350
1000	570	570	550	520	520	490	400	320
1100	530	530	500	480	480	450	370	290
1200	490	490	470	440	440	420	340	270
1300	460	460	430	410	410	390	320	250

MAST SPECIFICATIONS & RATED CAPACITIES

Mast Type	Maximum Fork Height	Overall Height			Free Lift		Tilt Range		Lost Load Center
		Lowered	Extended		Without Load Backrest	With Standard Load Backrest	Upward	Downward	
			Without Load Backrest	With Standard Load Backrest					
mm	mm	mm	mm	mm	mm	deg	deg	mm	
Wide Visible Mast (V)	2500	1745	3150	3385	100	100	5	3	175
	2700	1845	3350	3585	100	100	5	3	175
	3000	1995	3650	3885	100	100	5	3	175
	3300	2145	3950	4185	100	100	5	3	175
	3500	2245	4150	4385	100	100	5	3	175
	3700	2345	4350	4585	100	100	5	3	175
	4000	2495	4650	4885	100	100	5	3	175
	4500	2845	5150	5385	100	100	5	3	175
	5000	3095	5650	5885	100	100	5	3	175
	Wide Visible Mast (SV)	2500	1745	3205	3385	410	410	5	3
2700		1845	3405	3585	410	410	5	3	175
3000		1995	3705	3885	410	410	5	3	175
3300		2145	4005	4185	410	410	5	3	175
3500		2245	4205	4385	410	410	5	3	175
3700		2345	4405	4585	410	410	5	3	175
4000		2495	4705	4885	410	410	5	3	175
4500		2845	5205	5385	410	410	5	3	175
5000		3095	5705	5885	410	410	5	3	175
Wide Visible Full-Free Lift Three-Stage Mast (FSV)		3700	1795	4300	4585	1225	940	5	3
	4000	1895	4600	4885	1325	1040	5	3	175
	4300	1995	4900	5185	1425	1140	5	3	175
	4500	2065	5100	5385	1495	1210	5	3	175
	4700	2145	5300	5585	1575	1290	5	3	175
	5000	2245	5600	5885	1675	1390	5	3	175
	5500	2405	6100	6385	1835	1550	5	3	175
	6000	2595	6600	6885	2025	1740	5	3	175

NOTE: 1. Height of standard load backrest is 850 mm.
2. For the truck with V mast and "Bar Type Forks" [M31B], the mast extended height without backrest is minus 355 mm against the mast extended height with backrest.
3. For the truck with V, SV mast and "Bar Type Forks" [M31B], the lost load center is 180 mm.
4. Lost Load Center means the Load Distance when Reach Out.

1,250 kg

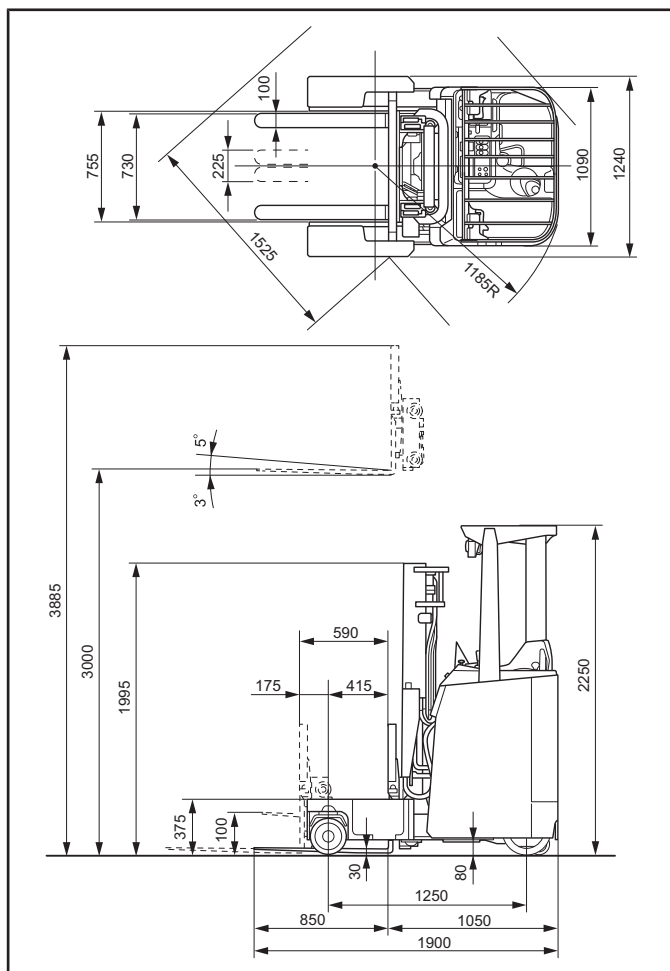
MAIN VEHICLE SPECIFICATIONS

Manufacturer				TOYOTA
Model				8FBS13
Load Capacity		kg	1250	
Load Center		mm	500	
Operator Position				Stand On
Tire Type		Front/Rear	Rubber/Rubber	
Wheels (x = driven)		Front/Rear	2/1x+2	
Maximum Fork Height (MFH)		mm	3000	
Free Lift		Standard Type Mast	mm	100
Fork Size		T x W x L	mm	30x100x850
Fork Spread (Outside)		MAX./MIN.	mm	730/225
Tilt Range		Up/Down	deg	5/3
Length to Fork Face			mm	1050
Width Between Reach Legs			mm	755
Reach Stroke			mm	590
Overall Width			mm	1240
Overall Length		To Fork Tip	mm	1900
Overall Length		To Tip of Reach Legs	mm	1610
Frame Width			mm	1090
Height of Reach Legs			mm	375
Mast Lowered Height			mm	1995
Mast Extended Height			mm	3885
Overhead Guard Height			mm	2250
Turning Radius (Outside)		360 Rotation Mode	mm	1185
Load Distance (Centerline of front axle to front face of forks)		Reach In/Reach Out	mm	415/175
Intersecting Aisle Width		No Load (No Pallet) Right Angle Turn Mode	mm	1525
Right Angle Stacking Aisle Width		Pallet Size 1100x1100 (Add clearance 200 mm) 360 Rotation Mode	mm	2310
Speed	Travel, Max. (FWD/RVS)	Full Load	km/h	9.5
		No Load	km/h	10.5
	Lifting	Full Load	mm/sec	320
		No Load	mm/sec	560
	Lowering	Full Load	mm/sec	500
		No Load	mm/sec	550
Reach Speed		Reach Out/Reach In	mm/sec	220/240
Gradeability *	Full Load/ No Load	3-Minute Ratings	% (tanθ)	18/31
		5-Minute Ratings	% (tanθ)	18/31
		30-Minute Ratings	% (tanθ)	11/19
Total Weight		With Min. Battery	kg	2090
Weight Distribution	Reach In	Full Load (Front/Rear)	kg	2090/1250
		No Load (Front/Rear)	kg	750/1340
	Reach Out	Full Load (Front/Rear)	kg	2900/440
		No Load (Front/Rear)	kg	980/1110
Tire	Number	Front/Rear		2/1+2
	Size	Front		254x120
		Rear, Drive		334x145
		Rear, Caster		150x80
Wheelbase			mm	1250
Tread	Front		mm	1120
	Rear		mm	650
Underclearance		Center of Wheelbase	mm	80
Brake	Service (Foot)			Disc
	Parking			Disc
Battery	Voltage/Capacity (5-hour rating)	STD	V/AH	48/201
	Weight (Min. Capacity Type)		kg	355
Electric Motor	Drive		kW	4.9
	Load Handling		kW	8
	Power Steering		kW	0.26
Control Type	Drive			AC inverter
	Load Handling			AC inverter
	Power Steering			DC chopper
Turning Radius (Outside)	Reach Mode		mm	1490
	Right Angle Turn Mode		mm	1525
Traveling Speed		Parallel Travel/Sideways Travel Mode	km/h	5/5

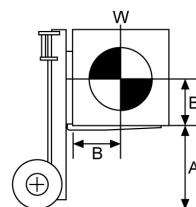
NOTE: * Computed values.

DIMENSIONAL DRAWINGS

Unit: mm



RATED CAPACITIES



A: Max. Fork Height
B: Load Center
W: Capacity

V, SV Mast

Unit: kg (W)

A (mm)	2500	2700	3000	3300	3500	3700	4000	4500	5000
500	1250	1250	1250	1250	1250	1250	1250	1150	1050
600	1090	1090	1090	1090	1090	1090	1090	1000	910
700	960	960	960	960	960	960	960	890	810
800	870	870	870	870	870	870	870	800	730
900	780	780	780	780	780	780	780	720	660
1000	720	720	720	720	720	720	720	660	600
1100	660	660	660	660	660	660	660	610	560
1200	610	610	610	610	610	610	610	560	520
1300	570	570	570	570	570	570	570	530	480

FSV Mast

Unit: kg (W)

A (mm)	3700	4000	4300	4500	4700	5000	5500	6000
500	1250	1250	1200	1150	1150	1050	850	650
600	1090	1090	1050	1000	1000	910	740	570
700	960	960	930	890	890	810	660	500
800	870	870	830	800	800	730	590	450
900	780	780	750	720	720	660	530	410
1000	720	720	690	660	660	600	490	370
1100	660	660	640	610	610	560	450	340
1200	610	610	590	560	560	520	420	320
1300	570	570	550	530	530	480	390	300

MAST SPECIFICATIONS & RATED CAPACITIES

Mast Type	Maximum Fork Height	Overall Height			Free Lift		Tilt Range		Lost Load Center
		Lowered	Extended		Without Load Backrest	With Standard Load Backrest	Upward	Downward	
			Without Load Backrest	With Standard Load Backrest					
mm	mm	mm	mm	mm	mm	deg	deg	mm	
Wide Visible Mast (V)	2500	1745	3150	3385	100	100	5	3	175
	2700	1845	3350	3585	100	100	5	3	175
	3000	1995	3650	3885	100	100	5	3	175
	3300	2145	3950	4185	100	100	5	3	175
	3500	2245	4150	4385	100	100	5	3	175
	3700	2345	4350	4585	100	100	5	3	175
	4000	2495	4650	4885	100	100	5	3	175
	4500	2845	5150	5385	100	100	5	3	175
Wide Visible Mast (SV)	5000	3095	5650	5885	100	100	5	3	175
	2500	1745	3205	3385	410	410	5	3	175
	2700	1845	3405	3585	410	410	5	3	175
	3000	1995	3705	3885	410	410	5	3	175
	3300	2145	4005	4185	410	410	5	3	175
	3500	2245	4205	4385	410	410	5	3	175
	3700	2345	4405	4585	410	410	5	3	175
	4000	2495	4705	4885	410	410	5	3	175
Wide Visible Full-Free Lift Three-Stage Mast (FSV)	4500	2845	5205	5385	410	410	5	3	175
	5000	3095	5705	5885	410	410	5	3	175
	3700	1795	4300	4585	1225	940	5	3	175
	4000	1895	4600	4885	1325	1040	5	3	175
	4300	1995	4900	5185	1425	1140	5	3	175
	4500	2065	5100	5385	1495	1210	5	3	175
	4700	2145	5300	5585	1575	1290	5	3	175
	5000	2245	5600	5885	1675	1390	5	3	175
5500	2405	6100	6385	1835	1550	5	3	175	
6000	2595	6600	6885	2025	1740	5	3	175	

- NOTE:
1. Height of standard load backrest is 850 mm.
 2. For the truck with V mast and "Bar Type Forks" [M31B], the mast extended height without backrest is minus 355 mm against the mast extended height with backrest.
 3. For the truck with V, SV mast and "Bar Type Forks" [M31B], the lost load center is 180 mm.
 4. Lost Load Center means the Load Distance when Reach Out.

The data in this publication was determined based on our standard testing condition. Operating performance may vary depending on the actual specification and condition of the vehicle as well as the condition of the operating area.

1,500 kg

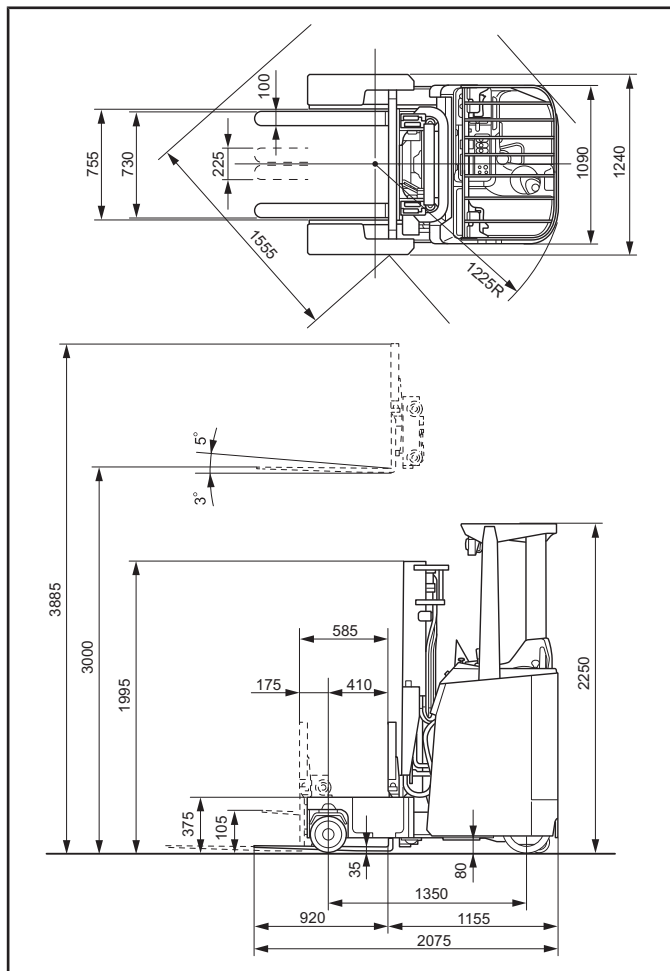
MAIN VEHICLE SPECIFICATIONS

Manufacturer				TOYOTA
Model				8FBS15
Load Capacity		kg	1500	
Load Center		mm	500	
Operator Position				Stand On
Tire Type		Front/Rear	Urethane/Rubber	
Wheels (x = driven)		Front/Rear	2/1x+2	
Maximum Fork Height (MFH)		mm	3000	
Free Lift		Standard Type Mast	mm	
Fork Size		T x W x L	mm	
Fork Spread (Outside)		MAX./MIN.	mm	
Tilt Range		Up/Down	deg	
Length to Fork Face			mm	
Width Between Reach Legs			mm	
Reach Stroke			mm	
Overall Width			mm	
Overall Length		To Fork Tip	mm	
Overall Length		To Tip of Reach Legs	mm	
Frame Width			mm	
Height of Reach Legs			mm	
Mast Lowered Height			mm	
Mast Extended Height			mm	
Overhead Guard Height			mm	
Turning Radius (Outside)		360 Rotation Mode	mm	
Load Distance (Centerline of front axle to front face of forks)		Reach In/Reach Out	mm	
Intersecting Aisle Width		No Load (No Pallet) Right Angle Turn Mode	mm	
Right Angle Stacking Aisle Width		Pallet Size 1100x1100 (Add clearance 200 mm) 360 Rotation Mode	mm	
Speed	Travel, Max. (FWD/RVS)	Full Load	km/h	
		No Load	km/h	
	Lifting	Full Load	mm/sec	
		No Load	mm/sec	
	Lowering	Full Load	mm/sec	
		No Load	mm/sec	
Reach Speed		Reach Out/Reach In	mm/sec	
Gradeability *	Full Load/ No Load	3-Minute Ratings	% (tanθ)	
		5-Minute Ratings	% (tanθ)	
		30-Minute Ratings	% (tanθ)	
Total Weight		With Min. Battery	kg	
Weight Distribution	Reach In	Full Load (Front/Rear)	kg	
		No Load (Front/Rear)	kg	
	Reach Out	Full Load (Front/Rear)	kg	
		No Load (Front/Rear)	kg	
Tire	Number	Front/Rear		
	Size	Front		
		Rear, Drive		
		Rear, Caster		
Wheelbase			mm	
Tread	Front	mm		
	Rear	mm		
Underclearance		Center of Wheelbase	mm	
Brake	Service (Foot)			Disc
	Parking			Disc
Battery	Voltage/Capacity (5-hour rating)	STD	V/AH	48/280
	Weight (Min. Capacity Type)		kg	480
Electric Motor	Drive		kW	4.9
	Load Handling		kW	8
	Power Steering		kW	0.26
Control Type	Drive			AC inverter
	Load Handling			AC inverter
	Power Steering			DC chopper
Turning Radius (Outside)	Reach Mode		mm	1580
	Right Angle Turn Mode		mm	1555
Traveling Speed	Parallel Travel/Sideways Travel Mode		km/h	5/5

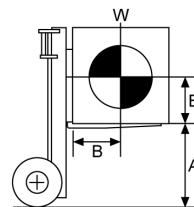
NOTE: * Computed values.

DIMENSIONAL DRAWINGS

Unit: mm



RATED CAPACITIES



A: Max. Fork Height
B: Load Center
W: Capacity

V, SV Mast

Unit: kg (W)

A (mm)	2500	2700	3000	3300	3500	3700	4000	4500	5000
500	1500	1500	1500	1500	1500	1500	1500	1450	1400
600	1310	1310	1310	1310	1310	1310	1310	1260	1220
700	1160	1160	1160	1160	1160	1160	1160	1120	1080
800	1040	1040	1040	1040	1040	1040	1040	1000	970
900	940	940	940	940	940	940	940	910	880
1000	860	860	860	860	860	860	860	830	800
1100	790	790	790	790	790	790	790	770	740
1200	740	740	740	740	740	740	740	710	690
1300	690	690	690	690	690	690	690	660	640

FSV Mast

Unit: kg (W)

A (mm)	3700	4000	4300	4500	4700	5000	5500	6000
500	1500	1500	1500	1450	1450	1400	1150	900
600	1310	1310	1310	1260	1260	1220	1000	780
700	1160	1160	1160	1120	1120	1080	890	690
800	1040	1040	1040	1000	1000	970	800	620
900	940	940	940	910	910	880	720	570
1000	860	860	860	830	830	800	660	520
1100	790	790	790	770	770	740	610	480
1200	740	740	740	710	710	690	560	440
1300	690	690	690	660	660	640	530	410

MAST SPECIFICATIONS & RATED CAPACITIES

Mast Type	Maximum Fork Height	Overall Height			Free Lift		Tilt Range		Lost Load Center
		Lowered	Extended		Without Load Backrest	With Standard Load Backrest	Upward	Downward	
			Without Load Backrest	With Standard Load Backrest					
mm	mm	mm	mm	mm	mm	deg	deg	mm	
Wide Visible Mast (V)	2500	1745	3150	3385	105	105	5	3	175
	2700	1845	3350	3585	105	105	5	3	175
	3000	1995	3650	3885	105	105	5	3	175
	3300	2145	3950	4185	105	105	5	3	175
	3500	2245	4150	4385	105	105	5	3	175
	3700	2345	4350	4585	105	105	5	3	175
	4000	2495	4650	4885	105	105	5	3	175
	4500	2845	5150	5385	105	105	5	3	175
Wide Visible Mast (SV)	5000	3095	5650	5885	105	105	5	3	175
	2500	1745	3205	3385	415	415	5	3	175
	2700	1845	3405	3585	415	415	5	3	175
	3000	1995	3705	3885	415	415	5	3	175
	3300	2145	4005	4185	415	415	5	3	175
	3500	2245	4205	4385	415	415	5	3	175
	3700	2345	4405	4585	415	415	5	3	175
	4000	2495	4705	4885	415	415	5	3	175
Wide Visible Full-Free Lift Three-Stage Mast (FSV)	4500	2845	5205	5385	415	415	5	3	175
	5000	3095	5705	5885	415	415	5	3	175
	3700	1795	4300	4585	1230	945	5	3	175
	4000	1895	4600	4885	1330	1045	5	3	175
	4300	1995	4900	5185	1430	1145	5	3	175
	4500	2065	5100	5385	1500	1215	5	3	175
	4700	2145	5300	5585	1580	1295	5	3	175
	5000	2245	5600	5885	1680	1395	5	3	175
5500	2405	6100	6385	1840	1555	5	3	175	
6000	2595	6600	6885	2030	1745	5	3	175	

NOTE: 1. Height of standard load backrest is 850 mm.
2. For the truck with V mast and "Bar Type Forks" [M31B], the mast extended height without backrest is minus 355 mm against the mast extended height with backrest.
3. For the truck with V, SV mast and "Bar Type Forks" [M31B], the lost load center is 180 mm.
4. Lost Load Center means the Load Distance when Reach Out.

The data in this publication was determined based on our standard testing condition. Operating performance may vary depending on the actual specification and condition of the vehicle as well as the condition of the operating area.

1,800 kg

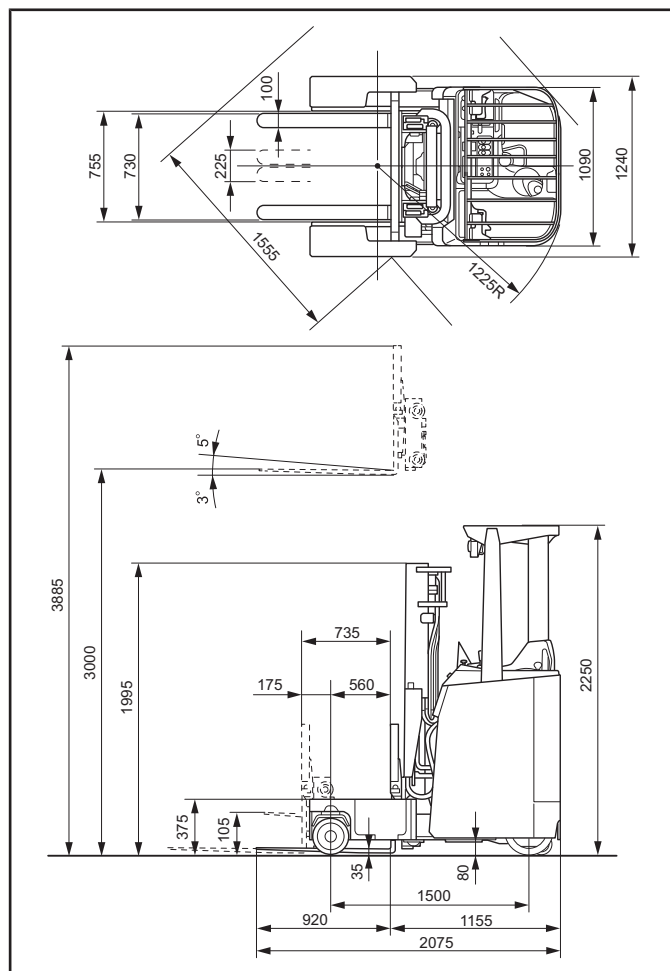
MAIN VEHICLE SPECIFICATIONS

Manufacturer			TOYOTA
Model			8FBS18
Load Capacity	kg	1800	
Load Center	mm	500	
Operator Position			Stand On
Tire Type	Front/Rear	Urethane/Rubber	
Wheels (x = driven)	Front/Rear	2/1x+2	
Maximum Fork Height (MFH)			3000
Free Lift	Standard Type Mast	105	
Fork Size	T x W x L	35x100x920	
Fork Spread (Outside)	MAX./MIN.	730/225	
Tilt Range	Up/Down	5/3	
Length to Fork Face			1155
Width Between Reach Legs			755
Reach Stroke			735
Overall Width			1240
Overall Length	To Fork Tip	2075	
Overall Length	To Tip of Reach Legs	1860	
Frame Width			1090
Height of Reach Legs			375
Mast Lowered Height			1995
Mast Extended Height			3885
Overhead Guard Height			2250
Turning Radius (Outside)			360 Rotation Mode 1225
Load Distance (Centerline of front axle to front face of forks)	Reach In/Reach Out	560/175	
Intersecting Aisle Width	No Load (No Pallet)	Right Angle Turn Mode	1555
Right Angle Stacking Aisle Width	Pallet Size 1100x1100 (Add clearance 200 mm)	360 Rotation Mode	2440
Speed	Travel, Max. (FWD/RVS)	Full Load	9.5
		No Load	10.5
	Lifting	Full Load	300
		No Load	560
	Lowering	Full Load	500
		No Load	550
Reach Speed			Reach Out/Reach In 220/240
Gradeability *	Full Load/ No Load	3-Minute Ratings	% (tanθ) 15/28
		5-Minute Ratings	% (tanθ) 15/28
		30-Minute Ratings	% (tanθ) 7/14
Total Weight			With Min. Battery 2360
Weight Distribution	Reach In	Full Load (Front/Rear)	2550/1610
		No Load (Front/Rear)	820/1540
	Reach Out	Full Load (Front/Rear)	3680/480
		No Load (Front/Rear)	1070/1290
Tire	Number	Front/Rear	2/1+2
		Size	254x120
	Size	Rear, Drive	334x145
		Rear, Caster	150x80
Wheelbase			1500
Tread	Front	1120	
	Rear	650	
Underclearance			Center of Wheelbase 80
Brake	Service (Foot)	Disc	
	Parking	Disc	
Battery	Voltage/Capacity (5-hour rating)	STD	V/AH 48/280
	Weight (Min. Capacity Type)	kg 480	
Electric Motor	Drive	kW 4.9	
	Load Handling	kW 8	
	Power Steering	kW 0.26	
Control Type	Drive	AC inverter	
	Load Handling	AC inverter	
	Power Steering	DC chopper	
Turning Radius (Outside)	Reach Mode	mm 1730	
	Right Angle Turn Mode	mm 1555	
Traveling Speed	Parallel Travel/Sideways Travel Mode	km/h 5/5	

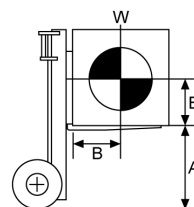
NOTE: * Computed values.

DIMENSIONAL DRAWINGS

Unit: mm



RATED CAPACITIES



A: Max. Fork Height
B: Load Center
W: Capacity

V, SV Mast

Unit: kg (W)

A (mm)	2500	2700	3000	3300	3500	3700	4000	4500	5000
500	1800	1800	1800	1800	1800	1800	1800	1700	1550
600	1570	1570	1570	1570	1570	1570	1570	1480	1350
700	1390	1390	1390	1390	1390	1390	1390	1310	1200
800	1250	1250	1250	1250	1250	1250	1250	1180	1070
900	1130	1130	1130	1130	1130	1130	1130	1070	970
1000	1030	1030	1030	1030	1030	1030	1030	980	890
1100	950	950	950	950	950	950	950	900	820
1200	880	880	880	880	880	880	880	830	760
1300	820	820	820	820	820	820	820	780	710

FSV Mast

Unit: kg (W)

A (mm)	3700	4000	4300	4500	4700	5000	5500	6000
500	1800	1800	1750	1650	1650	1550	1350	1050
600	1570	1570	1520	1440	1440	1350	1180	910
700	1390	1390	1350	1270	1270	1200	1040	810
800	1250	1250	1210	1140	1140	1070	930	730
900	1130	1130	1100	1040	1040	970	850	660
1000	1030	1030	1010	950	950	890	780	600
1100	950	950	930	870	870	820	710	560
1200	880	880	860	810	810	760	660	520
1300	820	820	800	760	760	710	620	480

MAST SPECIFICATIONS & RATED CAPACITIES

Mast Type	Maximum Fork Height	Overall Height			Free Lift		Tilt Range		Lost Load Center
		Lowered	Extended		Without Load Backrest	With Standard Load Backrest	Upward	Downward	
			Without Load Backrest	With Standard Load Backrest					
mm	mm	mm	mm	mm	mm	deg	deg	mm	
Wide Visible Mast (V)	2500	1745	3150	3385	105	105	5	3	175
	2700	1845	3350	3585	105	105	5	3	175
	3000	1995	3650	3885	105	105	5	3	175
	3300	2145	3950	4185	105	105	5	3	175
	3500	2245	4150	4385	105	105	5	3	175
	3700	2345	4350	4585	105	105	5	3	175
	4000	2495	4650	4885	105	105	5	3	175
	4500	2845	5150	5385	105	105	5	3	175
Wide Visible Mast (SV)	5000	3095	5650	5885	105	105	5	3	175
	2500	1745	3205	3385	415	415	5	3	175
	2700	1845	3405	3585	415	415	5	3	175
	3000	1995	3705	3885	415	415	5	3	175
	3300	2145	4005	4185	415	415	5	3	175
	3500	2245	4205	4385	415	415	5	3	175
	3700	2345	4405	4585	415	415	5	3	175
	4000	2495	4705	4885	415	415	5	3	175
Wide Visible Full-Free Lift Three-Stage Mast (FSV)	4500	2845	5205	5385	415	415	5	3	175
	5000	3095	5705	5885	415	415	5	3	175
	3700	1795	4300	4585	1230	945	5	3	175
	4000	1895	4600	4885	1330	1045	5	3	175
	4300	1995	4900	5185	1430	1145	5	3	175
	4500	2065	5100	5385	1500	1215	5	3	175
	4700	2145	5300	5585	1580	1295	5	3	175
	5000	2245	5600	5885	1680	1395	5	3	175
5500	2405	6100	6385	1840	1555	5	3	175	
6000	2595	6600	6885	2030	1745	5	3	175	

- NOTE:
- Height of standard load backrest is 850 mm.
 - For the truck with V mast and "Bar Type Forks" [M31B], the mast extended height without backrest is minus 275 mm against the mast extended height with backrest.
 - For the truck with V, SV mast and "Bar Type Forks" [M31B], the lost load center is 180 mm.
 - Lost Load Center means the Load Distance when Reach Out.

The data in this publication was determined based on our standard testing condition. Operating performance may vary depending on the actual specification and condition of the vehicle as well as the condition of the operating area.

2,000 kg

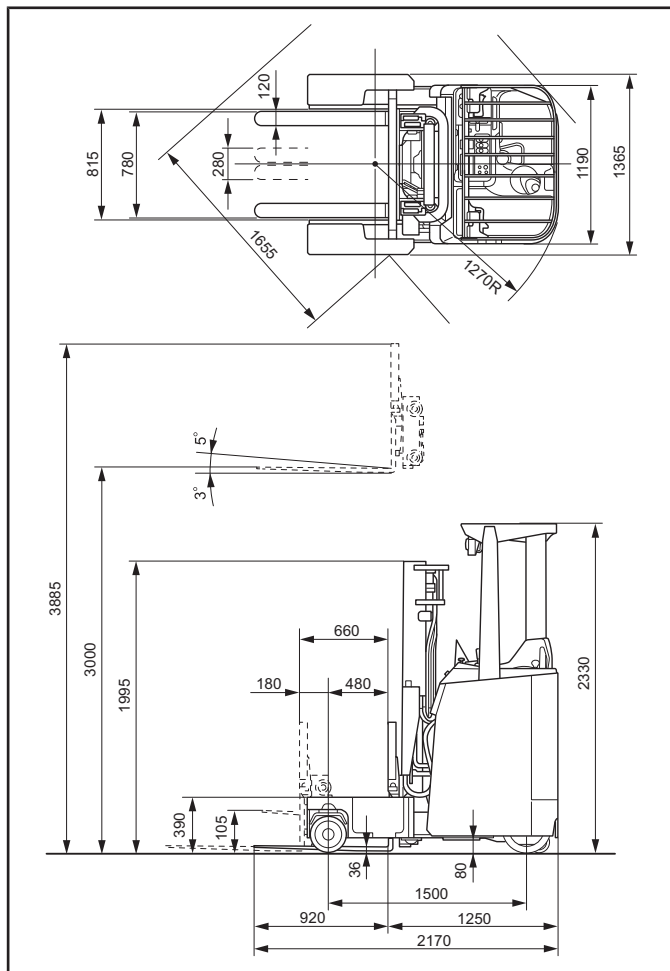
MAIN VEHICLE SPECIFICATIONS

Manufacturer			TOYOTA
Model			8FBS20
Load Capacity	kg	2000	
Load Center	mm	500	
Operator Position			Stand On
Tire Type	Front/Rear	Urethane/Rubber	
Wheels (x = driven)	Front/Rear	2/1x+2	
Maximum Fork Height (MFH)	mm	3000	
Free Lift	Standard Type Mast	105	
Fork Size	T x W x L	36x120x920	
Fork Spread (Outside)	MAX./MIN.	780/280	
Tilt Range	Up/Down	deg 5/3	
Length to Fork Face	mm	1250	
Width Between Reach Legs	mm	815	
Reach Stroke	mm	660	
Overall Width	mm	1365	
Overall Length	To Fork Tip	mm 2170	
Overall Length	To Tip of Reach Legs	mm 1880	
Frame Width	mm	1190	
Height of Reach Legs	mm	390	
Mast Lowered Height	mm	1995	
Mast Extended Height	mm	3885	
Overhead Guard Height	mm	2330	
Turning Radius (Outside)	360 Rotation Mode	mm 1270	
Load Distance (Centerline of front axle to front face of forks)	Reach In/Reach Out	mm 480/180	
Intersecting Aisle Width	No Load (No Pallet)	Right Angle Turn Mode	mm 1655
Right Angle Stacking Aisle Width	Pallet Size 1100x1100 (Add clearance 200 mm)	360 Rotation Mode	mm 2540
Speed	Travel, Max. (FWD/RVS)	Full Load	km/h 10
		No Load	km/h 11.5
	Lifting	Full Load	mm/sec 300
		No Load	mm/sec 500
	Lowering	Full Load	mm/sec 500
		No Load	mm/sec 450
Reach Speed	Reach Out/Reach In	mm/sec 220/240	
Gradeability *	Full Load/ No Load	3-Minute Ratings	% (tanθ) 17/30
		5-Minute Ratings	% (tanθ) 17/30
		30-Minute Ratings	% (tanθ) 6/12
Total Weight	With Min. Battery	kg 2850	
Weight Distribution	Reach In	Full Load (Front/Rear)	kg 3060/1790
		No Load (Front/Rear)	kg 1030/1820
	Reach Out	Full Load (Front/Rear)	kg 4290/560
		No Load (Front/Rear)	kg 1380/1470
Tire	Number	Front/Rear	2/1+2
	Size	Front	267x127
		Rear, Drive	380x145
		Rear, Caster	204x76
Wheelbase	mm 1500		
Tread	Front	mm 1230	
	Rear	mm 690	
	Center of Wheelbase	mm 80	
Brake	Service (Foot)	Disc	
	Parking	Disc	
Battery	Voltage/Capacity (5-hour rating)	STD V/AH	48/320
	Weight (Min. Capacity Type)	kg 595	
Electric Motor	Drive	kW 5.2	
	Load Handling	kW 11	
	Power Steering	kW 0.35	
Control Type	Drive	AC inverter	
	Load Handling	AC inverter	
	Power Steering	DC chopper	
Turning Radius (Outside)	Reach Mode	mm 1750	
	Right Angle Turn Mode	mm 1655	
Traveling Speed	Parallel Travel/Sideways Travel Mode	km/h 5/5	

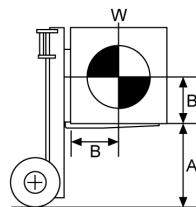
NOTE: * Computed values.

DIMENSIONAL DRAWINGS

Unit: mm



RATED CAPACITIES



A: Max. Fork Height
B: Load Center
W: Capacity

V, SV Mast

Unit: kg (W)

A (mm)	2500	2700	3000	3300	3500	3700	4000	4500	5000
500	2000	2000	2000	2000	2000	2000	2000	1900	1850
600	1740	1740	1740	1740	1740	1740	1740	1660	1610
700	1550	1550	1550	1550	1550	1550	1550	1470	1430
800	1390	1390	1390	1390	1390	1390	1390	1320	1280
900	1260	1260	1260	1260	1260	1260	1260	1200	1160
1000	1150	1150	1150	1150	1150	1150	1150	1090	1070
1100	1060	1060	1060	1060	1060	1060	1060	1010	980
1200	990	990	990	990	990	990	990	940	910
1300	920	920	920	920	920	920	920	870	850

MAST SPECIFICATIONS & RATED CAPACITIES

Mast Type	Maximum Fork Height	Overall Height			Free Lift		Tilt Range		Lost Load Center
		Lowered	Extended		Without Load Backrest	With Standard Load Backrest	Upward	Downward	
			Without Load Backrest	With Standard Load Backrest					
mm	mm	mm	mm	mm	mm	deg	deg	mm	
Wide Visible Mast (V)	2500	1745	3230	3385	105	105	5	3	180
	2700	1845	3430	3585	105	105	5	3	180
	3000	1995	3730	3885	105	105	5	3	180
	3300	2145	4030	4185	105	105	5	3	180
	3500	2245	4230	4385	105	105	5	3	180
	3700	2405	4430	4585	105	105	5	3	180
	4000	2555	4730	4885	105	105	5	3	180
	4500	2845	5230	5385	105	105	5	3	180
Wide Visible Mast (SV)	5000	3095	5730	5885	105	105	5	3	180
	2500	1745	3230	3385	390	390	5	3	180
	2700	1845	3430	3585	390	390	5	3	180
	3000	1995	3730	3885	390	390	5	3	180
	3300	2145	4030	4185	390	390	5	3	180
	3500	2245	4230	4385	390	390	5	3	180
	3700	2405	4430	4585	510	510	5	3	180
	4000	2555	4730	4885	510	510	5	3	180
4500	2845	5230	5385	510	510	5	3	180	
5000	3095	5730	5885	510	510	5	3	180	

NOTE: 1. Height of standard load backrest is 850 mm.
2. Lost Load Center means the Load Distance when Reach Out.

2,000 kg

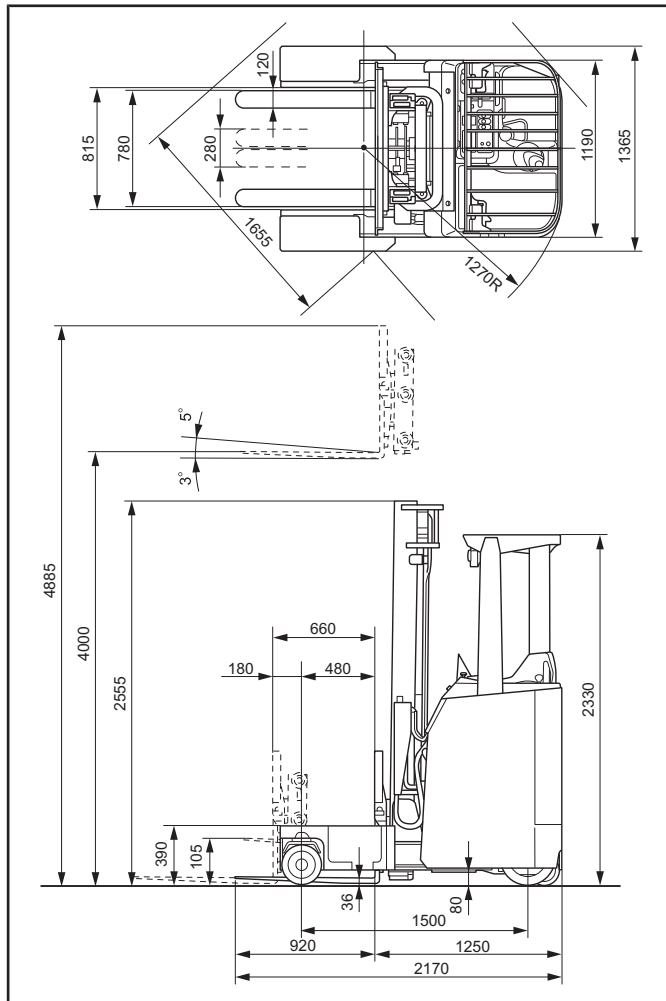
MAIN VEHICLE SPECIFICATIONS

Manufacturer				TOYOTA
Model				8FBSS20
Load Capacity		kg		2000
Load Center		mm		500
Operator Position				Stand On
Tire Type		Front/Rear		Urethane/Rubber
Wheels (x = driven)		Front/Rear		2/1x+2
Maximum Fork Height (MFH)		mm		4000
Free Lift		Standard Type Mast	mm	105
Fork Size		T x W x L	mm	36x120x920
Fork Spread (Outside)		MAX./MIN.	mm	780/280
Tilt Range		Up/Down	deg	5/3
Length to Fork Face			mm	1250
Width Between Reach Legs			mm	815
Reach Stroke			mm	660
Overall Width			mm	1365
Overall Length		To Fork Tip	mm	2170
Overall Length		To Tip of Reach Legs	mm	1880
Frame Width			mm	1190
Height of Reach Legs			mm	390
Mast Lowered Height			mm	2555
Mast Extended Height			mm	4885
Overhead Guard Height			mm	2330
Turning Radius (Outside)		360 Rotation Mode	mm	1270
Load Distance (Centerline of front axle to front face of forks)		Reach In/Reach Out	mm	480/180
Intersecting Aisle Width		No Load (No Pallet) Right Angle Turn Mode	mm	1655
Right Angle Stacking Aisle Width		Pallet Size 1100x1100 (Add clearance 200 mm) 360 Rotation Mode	mm	2540
Speed	Travel, Max. (FWD/RVS)	Full Load	km/h	10
		No Load	km/h	11.5
	Lifting	Full Load	mm/sec	300
		No Load	mm/sec	500
	Lowering	Full Load	mm/sec	500
		No Load	mm/sec	450
Reach Speed		Reach Out/Reach In	mm/sec	220/240
Gradeability *	Full Load/ No Load	3-Minute Ratings	% (tanθ)	17/30
		5-Minute Ratings	% (tanθ)	17/30
		30-Minute Ratings	% (tanθ)	6/12
Total Weight		With Min. Battery	kg	3000
Weight Distribution	Reach In	Full Load (Front/Rear)	kg	3120/1880
		No Load (Front/Rear)	kg	1100/1900
	Reach Out	Full Load (Front/Rear)	kg	4380/620
		No Load (Front/Rear)	kg	1480/1520
Tire	Number	Front/Rear		2/1+2
		Front		267x127
	Size	Rear, Drive		380x145
		Rear, Caster		204x76
Wheelbase			mm	1500
Tread	Front		mm	1230
	Rear		mm	690
Underclearance		Center of Wheelbase	mm	80
Brake	Service (Foot)			Disc
	Parking			Disc
Battery	Voltage/Capacity (5-hour rating)	STD	V/AH	48/320
	Weight (Min. Capacity Type)		kg	595
Electric Motor	Drive		kW	5.2
	Load Handling		kW	11
	Power Steering		kW	0.35
Control Type	Drive			AC inverter
	Load Handling			AC inverter
	Power Steering			DC chopper
Turning Radius (Outside)	Reach Mode		mm	1750
	Right Angle Turn Mode		mm	1655
Traveling Speed		Parallel Travel/Sideways Travel Mode	km/h	5/5

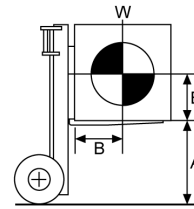
NOTE: * Computed values.

DIMENSIONAL DRAWINGS

Unit: mm



RATED CAPACITIES



A: Max. Fork Height
B: Load Center
W: Capacity

V, SV Mast

Unit: kg (W)

A (mm)	3500	3700	4000	4500	5000
500	2000	2000	2000	2000	2000
600	1740	1740	1740	1740	1740
700	1550	1550	1550	1550	1550
800	1390	1390	1390	1390	1390
900	1260	1260	1260	1260	1260
1000	1150	1150	1150	1150	1150
1100	1060	1060	1060	1060	1060
1200	990	990	990	990	990
1300	920	920	920	920	920

FSV Mast

Unit: kg (W)

A (mm)	4300	4500	4700	5000	5500	6000
500	2000	2000	2000	2000	1850	1750
600	1740	1740	1740	1740	1610	1530
700	1550	1550	1550	1550	1430	1350
800	1390	1390	1390	1390	1280	1210
900	1260	1260	1260	1260	1160	1100
1000	1150	1150	1150	1150	1070	1010
1100	1060	1060	1060	1060	980	930
1200	990	990	990	990	910	860
1300	920	920	920	920	850	800

MAST SPECIFICATIONS & RATED CAPACITIES

Mast Type	Maximum Fork Height	Overall Height			Free Lift		Tilt Range		Lost Load Center
		Lowered	Extended		Without Load Backrest	With Standard Load Backrest	Upward	Downward	
			Without Load Backrest	With Standard Load Backrest					
mm	mm	mm	mm	mm	mm	deg	deg	mm	
Wide Visible Mast (V)	3500	2245	4230	4385	105	105	5	3	180
	3700	2405	4430	4585	105	105	5	3	180
	4000	2555	4730	4885	105	105	5	3	180
	4500	2845	5230	5385	105	105	5	3	180
	5000	3095	5730	5885	105	105	5	3	180
Wide Visible Mast (SV)	3500	2245	4230	4385	390	390	5	3	180
	3700	2405	4430	4585	510	510	5	3	180
	4000	2555	4730	4885	510	510	5	3	180
	4500	2845	5230	5385	510	510	5	3	180
	5000	3095	5730	5885	510	510	5	3	180
Wide Visible Full-Free Lift Three-Stage Mast (FSV)	4300	1965	4880	5185	1420	1115	5	3	180
	4500	2035	5080	5385	1490	1185	5	3	180
	4700	2115	5280	5585	1570	1265	5	3	180
	5000	2215	5580	5885	1670	1365	5	3	180
	5500	2375	6080	6385	1830	1525	5	3	180
	6000	2565	6580	6885	2020	1715	5	3	180

NOTE: 1. Height of standard load backrest is 850 mm.
2. For the truck with FSV mast, only "Bar Type Forks" [M31B] is available.
3. Lost Load Center means the Load Distance when Reach Out.

2,500 kg

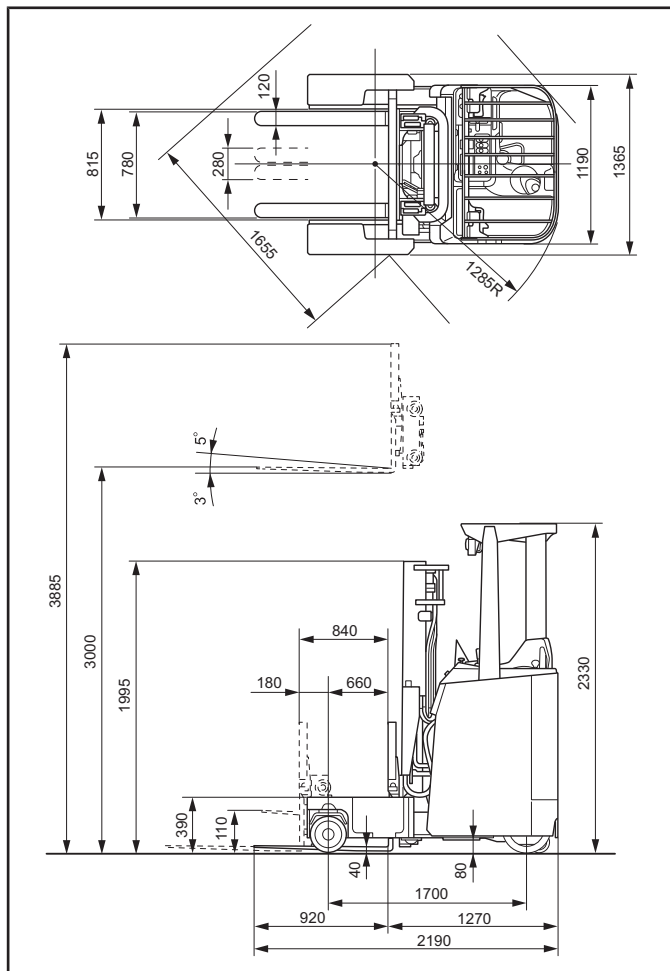
MAIN VEHICLE SPECIFICATIONS

Manufacturer		TOYOTA		
Model		8FBS25		
Load Capacity	kg	2500		
Load Center	mm	500		
Operator Position		Stand On		
Tire Type	Front/Rear	Urethane/Rubber		
Wheels (x = driven)	Front/Rear	2/1x+2		
Maximum Fork Height (MFH)		mm	3000	
Free Lift	Standard Type Mast	mm	110	
Fork Size	T x W x L	mm	40x120x920	
Fork Spread (Outside)	MAX./MIN.	mm	780/280	
Tilt Range	Up/Down	deg	5/3	
Length to Fork Face		mm	1270	
Width Between Reach Legs		mm	815	
Reach Stroke		mm	840	
Overall Width		mm	1365	
Overall Length	To Fork Tip	mm	2190	
Overall Length	To Tip of Reach Legs	mm	2080	
Frame Width		mm	1190	
Height of Reach Legs		mm	390	
Mast Lowered Height		mm	1995	
Mast Extended Height		mm	3885	
Overhead Guard Height		mm	2330	
Turning Radius (Outside)		360 Rotation Mode	mm	1285
Load Distance (Centerline of front axle to front face of forks)	Reach In/Reach Out	mm	660/180	
Intersecting Aisle Width	No Load (No Pallet)	Right Angle Turn Mode	mm	1655
Right Angle Stacking Aisle Width	Pallet Size 1100x1100 (Add clearance 200 mm)	360 Rotation Mode	mm	2560
Speed	Travel, Max. (FWD/RVS)	Full Load	km/h	9.5
		No Load	km/h	11.5
	Lifting	Full Load	mm/sec	280
		No Load	mm/sec	500
	Lowering	Full Load	mm/sec	500
		No Load	mm/sec	450
Reach Speed		Reach Out/Reach In	mm/sec	220/240
Gradeability *	Full Load/ No Load	3-Minute Ratings	% (tanθ)	15/28
		5-Minute Ratings	% (tanθ)	15/28
		30-Minute Ratings	% (tanθ)	5/11
Total Weight		With Min. Battery	kg	2970
Weight Distribution	Reach In	Full Load (Front/Rear)	kg	3260/2210
		No Load (Front/Rear)	kg	1000/1970
	Reach Out	Full Load (Front/Rear)	kg	4820/650
		No Load (Front/Rear)	kg	1320/1650
Tire	Number	Front/Rear		2/1+2
	Size	Front		267x127
		Rear, Drive		380x145
		Rear, Caster		204x76
Wheelbase			mm	1700
Tread	Front		mm	1230
	Rear		mm	690
Underclearance		Center of Wheelbase	mm	80
Brake	Service (Foot)			Disc
	Parking			Disc
Battery	Voltage/Capacity (5-hour rating)	STD	V/AH	48/320
	Weight (Min. Capacity Type)		kg	595
Electric Motor	Drive		kW	5.2
	Load Handling		kW	11
	Power Steering		kW	0.35
Control Type	Drive			AC inverter
	Load Handling			AC inverter
	Power Steering			DC chopper
Turning Radius (Outside)	Reach Mode		mm	1950
	Right Angle Turn Mode		mm	1655
Traveling Speed	Parallel Travel/Sideways Travel Mode		km/h	5/5

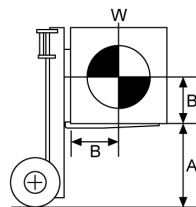
NOTE: * Computed values.

DIMENSIONAL DRAWINGS

Unit: mm



RATED CAPACITIES



A: Max. Fork Height
B: Load Center
W: Capacity

V, SV Mast

Unit: kg (W)

A (mm)	2500	2700	3000	3300	3500	3700	4000	4500	5000
500	2500	2500	2500	2500	2500	2500	2500	2400	2300
600	2180	2180	2180	2180	2180	2180	2180	2090	2010
700	1930	1930	1930	1930	1930	1930	1930	1850	1780
800	1730	1730	1730	1730	1730	1730	1730	1670	1600
900	1570	1570	1570	1570	1570	1570	1570	1510	1450
1000	1440	1440	1440	1440	1440	1440	1440	1380	1330
1100	1330	1330	1330	1330	1330	1330	1330	1280	1220
1200	1230	1230	1230	1230	1230	1230	1230	1180	1130
1300	1150	1150	1150	1150	1150	1150	1150	1100	1060

MAST SPECIFICATIONS & RATED CAPACITIES

Mast Type	Maximum Fork Height	Overall Height			Free Lift		Tilt Range		Lost Load Center
		Lowered	Extended		Without Load Backrest	With Standard Load Backrest	Upward	Downward	
			Without Load Backrest	With Standard Load Backrest					
mm	mm	mm	mm	mm	mm	deg	deg	mm	
Wide Visible Mast (V)	2500	1745	3230	3385	110	110	5	3	180
	2700	1845	3430	3585	110	110	5	3	180
	3000	1995	3730	3885	110	110	5	3	180
	3300	2145	4030	4185	110	110	5	3	180
	3500	2245	4230	4385	110	110	5	3	180
	3700	2405	4430	4585	110	110	5	3	180
	4000	2555	4730	4885	110	110	5	3	180
	4500	2845	5230	5385	110	110	5	3	180
Wide Visible Mast (SV)	5000	3095	5730	5885	110	110	5	3	180
	2500	1745	3230	3385	390	390	5	3	180
	2700	1845	3430	3585	390	390	5	3	180
	3000	1995	3730	3885	390	390	5	3	180
	3300	2145	4030	4185	390	390	5	3	180
	3500	2245	4230	4385	390	390	5	3	180
	3700	2405	4430	4585	510	510	5	3	180
	4000	2555	4730	4885	510	510	5	3	180
4500	2845	5230	5385	510	510	5	3	180	
5000	3095	5730	5885	510	510	5	3	180	

NOTE: 1. Height of standard load backrest is 850 mm.
2. Lost Load Center means the Load Distance when Reach Out.

2,500 kg

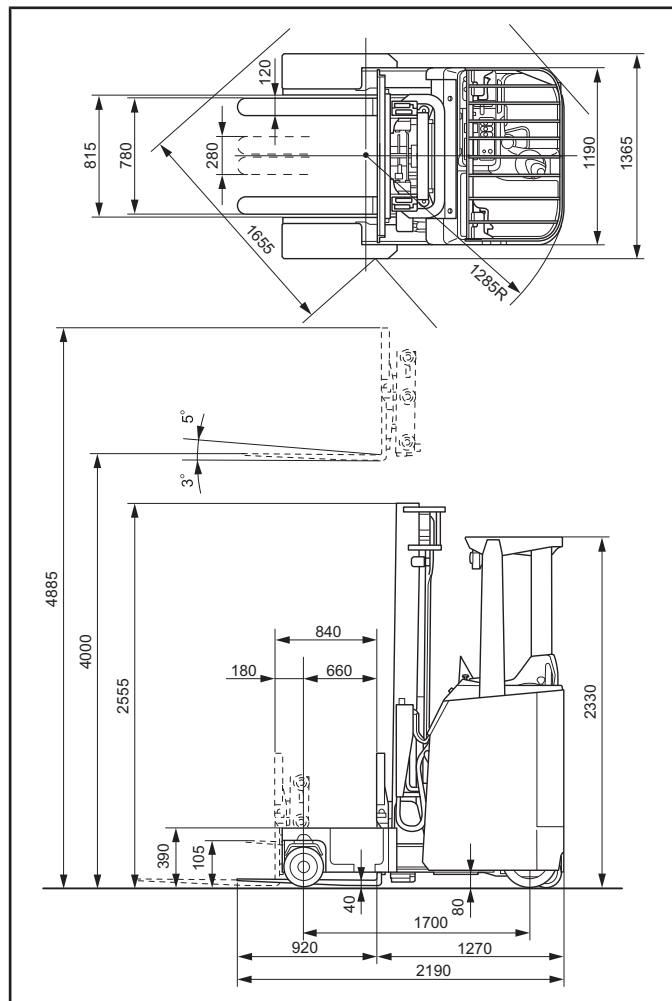
MAIN VEHICLE SPECIFICATIONS

Manufacturer				TOYOTA
Model				8FBSS25
Load Capacity		kg		2500
Load Center		mm		500
Operator Position				Stand On
Tire Type		Front/Rear		Urethane/Rubber
Wheels (x = driven)		Front/Rear		2/1x+2
Maximum Fork Height (MFH)		mm		4000
Free Lift		Standard Type Mast	mm	105
Fork Size		T x W x L	mm	40x120x920
Fork Spread (Outside)		MAX./MIN.	mm	780/280
Tilt Range		Up/Down	deg	5/3
Length to Fork Face			mm	1270
Width Between Reach Legs			mm	815
Reach Stroke			mm	840
Overall Width			mm	1365
Overall Length		To Fork Tip	mm	2190
Overall Length		To Tip of Reach Legs	mm	2080
Frame Width			mm	1190
Height of Reach Legs			mm	390
Mast Lowered Height			mm	2555
Mast Extended Height			mm	4885
Overhead Guard Height			mm	2330
Turning Radius (Outside)		360 Rotation Mode	mm	1285
Load Distance (Centerline of front axle to front face of forks)		Reach In/Reach Out	mm	660/180
Intersecting Aisle Width		No Load (No Pallet) Right Angle Turn Mode	mm	1655
Right Angle Stacking Aisle Width		Pallet Size 1100x1100 (Add clearance 200 mm) 360 Rotation Mode	mm	2560
Speed	Travel, Max. (FWD/RVS)	Full Load	km/h	9.5
		No Load	km/h	11.5
	Lifting	Full Load	mm/sec	280
		No Load	mm/sec	500
	Lowering	Full Load	mm/sec	500
		No Load	mm/sec	450
Reach Speed		Reach Out/Reach In	mm/sec	220/240
Gradeability *	Full Load/ No Load	3-Minute Ratings	% (tanθ)	15/28
		5-Minute Ratings	% (tanθ)	15/28
		30-Minute Ratings	% (tanθ)	5/11
Total Weight		With Min. Battery	kg	3130
Weight Distribution	Reach In	Full Load (Front/Rear)	kg	3320/2310
		No Load (Front/Rear)	kg	1060/2070
	Reach Out	Full Load (Front/Rear)	kg	4910/720
		No Load (Front/Rear)	kg	1410/1720
Tire	Number	Front/Rear		2/1+2
		Front		267x127
	Size	Rear, Drive		380x145
		Rear, Caster		204x76
Wheelbase			mm	1700
Tread	Front		mm	1230
	Rear		mm	690
	Center of Wheelbase		mm	80
Underclearance	Service (Foot)			Disc
	Parking			Disc
Battery	Voltage/Capacity (5-hour rating)	STD	V/AH	48/390
	Weight (Min. Capacity Type)		kg	680
	Drive		kW	5.2
Electric Motor	Load Handling		kW	11
	Power Steering		kW	0.35
Control Type	Drive			AC inverter
	Load Handling			AC inverter
	Power Steering			DC chopper
Turning Radius (Outside)	Reach Mode		mm	1950
	Right Angle Turn Mode		mm	1655
Traveling Speed	Parallel Travel/Sideways Travel Mode		km/h	5/5

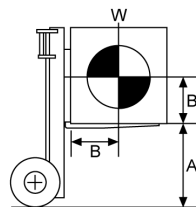
NOTE: * Computed values.

DIMENSIONAL DRAWINGS

Unit: mm



RATED CAPACITIES



A: Max. Fork Height
B: Load Center
W: Capacity

V, SV Mast

Unit: kg (W)

A (mm)	3500	3700	4000	4500	5000
500	2500	2500	2500	2500	2500
600	2180	2180	2180	2180	2180
700	1930	1930	1930	1930	1930
800	1730	1730	1730	1730	1730
900	1570	1570	1570	1570	1570
1000	1440	1440	1440	1440	1440
1100	1330	1330	1330	1330	1330
1200	1230	1230	1230	1230	1230
1300	1150	1150	1150	1150	1150

FSV Mast

Unit: kg (W)

A (mm)	4300	4500	4700	5000	5500	6000
500	2500	2500	2500	2500	2250	2100
600	2180	2180	2180	2180	1960	1830
700	1930	1930	1930	1930	1740	1620
800	1730	1730	1730	1730	1560	1460
900	1570	1570	1570	1570	1420	1320
1000	1440	1440	1440	1440	1300	1210
1100	1330	1330	1330	1330	1200	1120
1200	1230	1230	1230	1230	1110	1030
1300	1150	1150	1150	1150	1030	960

MAST SPECIFICATIONS & RATED CAPACITIES

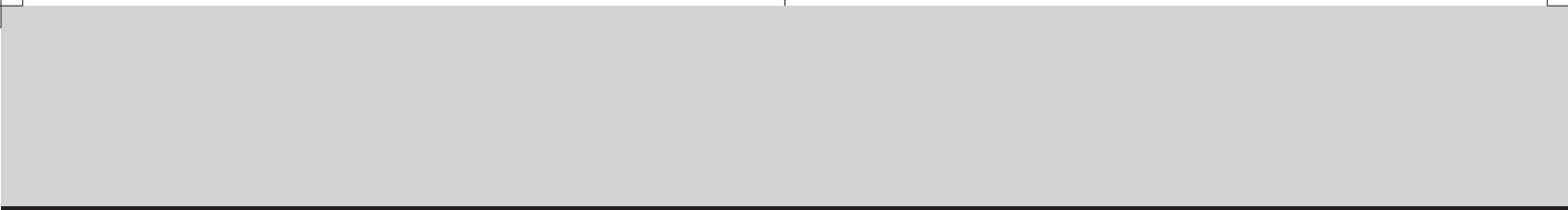
Mast Type	Maximum Fork Height	Overall Height			Free Lift		Tilt Range		Lost Load Center
		Lowered	Extended		Without Load Backrest	With Standard Load Backrest	Upward	Downward	
			Without Load Backrest	With Standard Load Backrest					
mm	mm	mm	mm	mm	mm	deg	deg	mm	
Wide Visible Mast (V)	3500	2245	4230	4385	110	110	5	3	180
	3700	2405	4430	4585	110	110	5	3	180
	4000	2555	4730	4885	110	110	5	3	180
	4500	2845	5230	5385	110	110	5	3	180
	5000	3095	5730	5885	110	110	5	3	180
Wide Visible Mast (SV)	3500	2245	4230	4385	390	390	5	3	180
	3700	2405	4430	4585	510	510	5	3	180
	4000	2555	4730	4885	510	510	5	3	180
	4500	2845	5230	5385	510	510	5	3	180
	5000	3095	5730	5885	510	510	5	3	180
Wide Visible Full-Free Lift Three-Stage Mast (FSV)	4300	1965	4880	5185	1425	1120	5	3	180
	4500	2035	5080	5385	1495	1190	5	3	180
	4700	2115	5280	5585	1575	1270	5	3	180
	5000	2215	5580	5885	1675	1370	5	3	180
	5500	2375	6080	6385	1835	1530	5	3	180
	6000	2565	6580	6885	2025	1720	5	3	180

NOTE: 1. Height of standard load backrest is 850 mm.
2. For the truck with FSV mast, only "Bar Type Forks" [M31B] is available.
3. Lost Load Center means the Load Distance when Reach Out.

STANDARD EQUIPMENT

8FBS10.13.15.18.20.25, 8FBSS20.25

- Wide Visible Mast (V) [MFH: 3000 mm (8FBS10.13.15.18.20.25)]
- Wide Visible Mast (V) [MFH: 4000 mm (8FBSS20.25)]
- Shaft type forks
- Travel modes(Sideways travel mode, 360 rotation mode, Right angle turn mode, Parallel travel mode, Reach mode)
- Load backrest [Height: 850 mm]
- Operator Presence Sensing System (OPS)
- Shockless landing (V, SV and FSV)
- Deluxe multifunction display(Maximum speed control, Over speed alarm, Digital diagnosis, Battery capacity indicator, Speedometer, Power meter, Wheel indicator, Direction indicator, Traveling mode selection indicator, Load weight indicator, Scheduled maintenance hour meter, Battery overdischarge warning, Battery remaining-charge warning, Overheat warning, Low temperature warning, Return-to-neutral warning, Manager's secondary password setting)
- Anti-rollback
- Suspension control
- Automatic turn-speed control
- Power select function
- Power keep function
- Auto power-off function
- Headlights
- Back-up buzzer
- Turn signal lights
- Electric horn
- Overhead guard with rear-positioned headguard pillar
- Emergency unplug lever
- Electric power steering (EPS)
- Back support with integrated assist grip
- Assist grip for left hand
- Arm pad
- Hand Protector
- Spacious flat top panel
- Pencil holder
- Cup holder



Availability and specifications are determined by market and are subject to change without notice.
Please consult your Toyota representative for details.

All rights reserved by Toyota Industries Corporation.



TOYOTA MATERIAL HANDLING INTERNATIONAL

S.S.8FBS10-25/E-1710/(D)/Printed in Japan/No.720780E0/2000