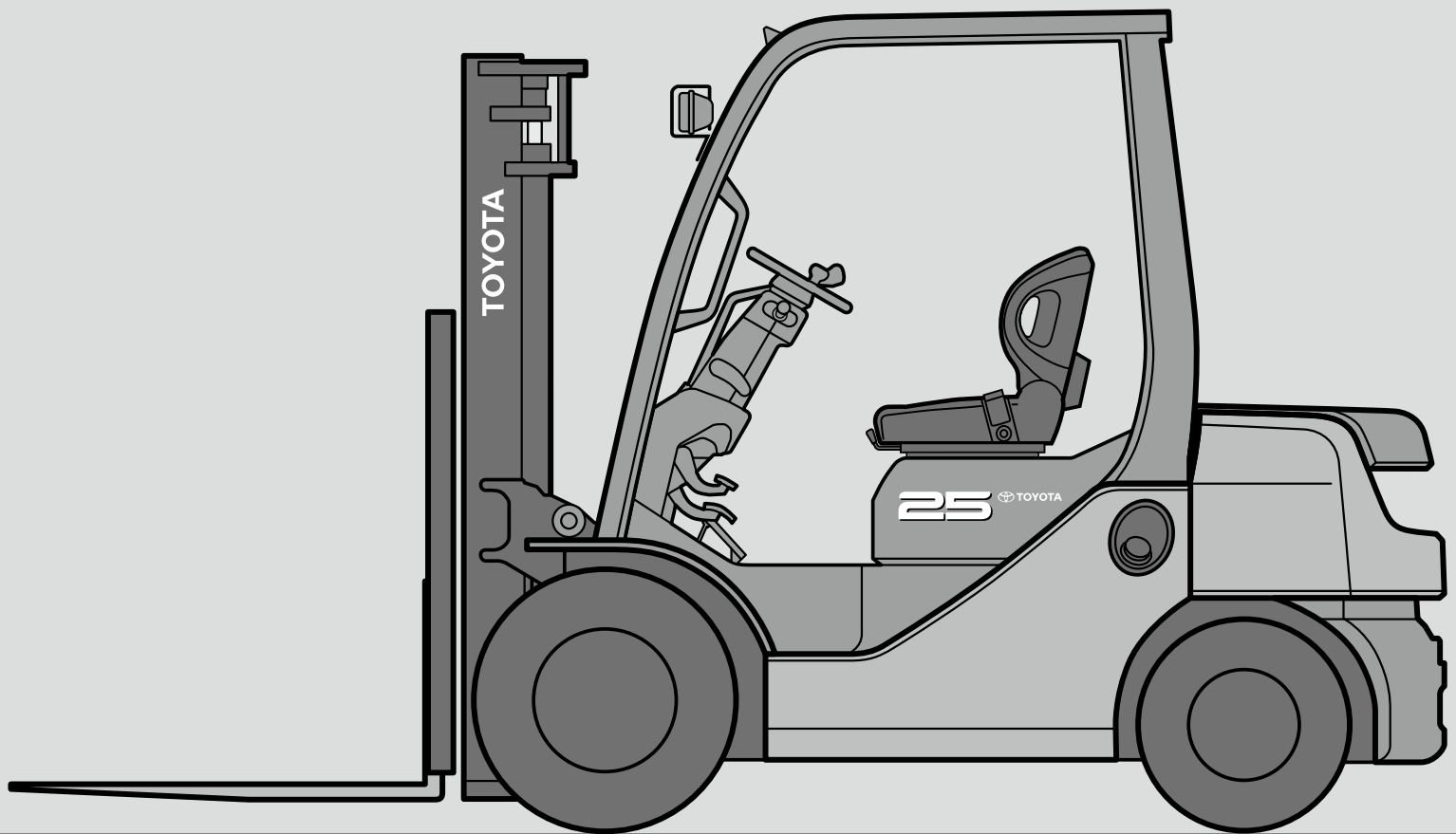


ENGINE POWERED FORKLIFT

8FG/8FD 1.0 to 3.5 Ton
Series



 **TOYOTA**

1,000 kg

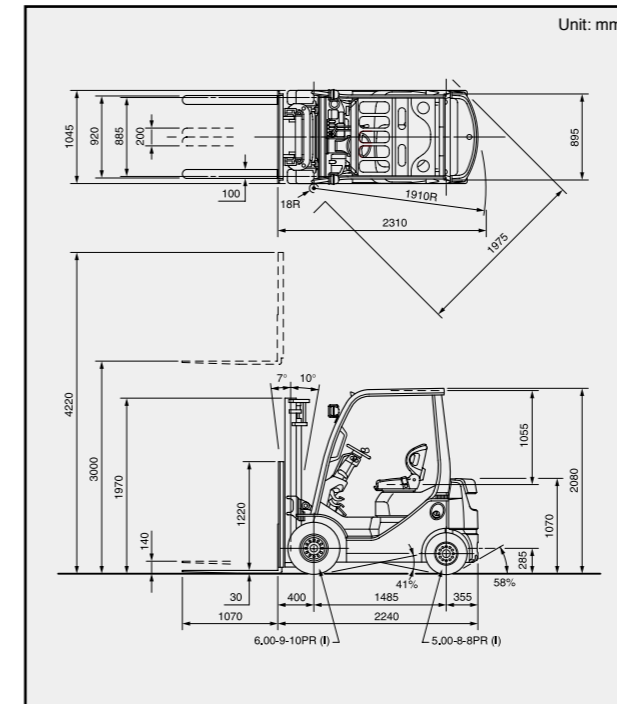
8FG/8FD10

MAIN VEHICLE SPECIFICATIONS

1		TOYOTA				TOYOTA		1	
2		30-8FG10		32-8FG10		60-8FD10		62-8FD10	
Characteristics	1	Manufacturer							
	2	Model		30-8FG10		32-8FG10		60-8FD10	
	3	Load Capacity		kg		1000		1000	
	4	Load Center		mm		500		500	
	5	Power Type		Gasoline		Diesel			
	6	Operator Position		Rider Seated		Rider Seated			
	7	Tire Type		Front/Rear		Pneumatic		Pneumatic	
	8	Wheels (x = driven)		Front/Rear		2x/2		2x/2	
Dimensions	9	Maximum Fork Height (MFH)		mm		3000		3000	
	10	Free Lift		mm		140		140	
	13	Fork Size		T x W x L		mm		30x100x1070	
		Fork Spread (Outside)		MAX./MIN.		mm		920/200	
	14	Tilt Range		FWD/BWD		deg		7/10	
	15	Length to Fork Face		mm		2240		2240	
	16	Overall Width		mm		1045		1045	
	17	Mast Lowered Height		mm		1970		1970	
	18	Mast Extended Height		mm		4220		4220	
	19	Overhead Guard Height		mm		2080		2080	
	21	Turning Radius (Outside)		mm		1910		1910	
	22	Load Distance (Centerline of front axle to front face of forks)		mm		400		400	
	23	Rear Overhang		mm		355		355	
	Basic Right Angle Stacking Aisle Width (Add load length and clearance)		mm		2310		2310		
Performance	24	Travel, Max. (FWD/RVS)	Full Load	km/h	19.0/19.0	18.5/18.5	17.5/17.5	17.5/17.5	
	No Load		km/h	19.5/19.5	19.0/19.0	18.0/18.0	18.0/18.0		
	25	Speeds	Lifting	Full Load	mm/sec	610	610	650	650
				No Load	mm/sec	660	660	675	675
		Lowering	Full Load	mm/sec	500	500	500	500	
			No Load	mm/sec	550	550	550	550	
	28	Max. Drawbar Pull	Full Load	N (kg)	16800 (1710)	19500 (1990)	17500 (1780)	19500 (1990)	
			No Load	N (kg)	7500 (760)	6800 (690)	7500 (760)	7500 (760)	
		Max. Drawbar Pull at 1.5km/h *	Full Load	N (kg)	—	17300 (1760)	—	17600 (1790)	
				Full Load	% (tanθ)	—	45	—	45
29	Gradeability at 1.5 km/h *	Full Load	% (tanθ)	45	45	45	45		
		No Load	% (tanθ)	28	28	28	28		
Weight	32	Total Weight		kg		2070		2170	
	33	Weight Distribution	Full Load	Front	kg	2670	2720		
				Rear	kg	400	450		
			No Load	Front	kg	1060	1110		
				Rear	kg	1010	1060		
	34	Tires	Number	Front/Rear	2/2				
	Size		Front	6.00-9-10PR (I)		6.00-9-10PR (I)			
	36	Wheelbase	Front	mm	1485				
	Rear		mm	1485					
Wheels and Tires	39	Tread	Front	mm	885				
			Rear	mm	885				
		Backrest Height	mm	1220					
		Overhead Guard Clearance	mm	1055					
		Counterweight Height	mm	1070					
		Drawbar Pin Center Height	mm	285					
		Step Height/Floor Height	mm	370/605					
	40	Underclearance	Min. <Mast>	mm	80				
	41	Grade Clearance	Center of Wheelbase	mm	110				
	Frame/Counterweight		% (tanθ)	41/58					
42	Brake	Service (Foot)	Hydraulic						
Parking		Hand	Foot	Hand	Foot				
Drive Unit and Control	45	Battery	Voltage/Capacity (5HR)	12/27		12/55			
	49	Internal Combustion Engine	Make/Model	TOYOTA/4Y		TOYOTA/1DZ-II [1DZ-III] **			
	50		Rated Power/r.p.m.	kW (JIS ps)		40/2400 (54/2400)			
	51		Rated Torque/r.p.m.	N-m (JIS kg-m)		162/1800 (16.5/1800)			
	52		Number of Cylinder	4		4			
		Piston Displacement	cc		2237				
		Fuel Tank Capacity	liter		45				
	55	Transmission	Type	Manual	Powershift	Manual	Powershift		
			Stage	FWD/RVS		2/2	1/1		
	57	Operating Pressure	For Attachments	Mpa (kg/cm ²)	11.8 (120)		11.8 (120)		

NOTE: * Computed values.
 ** 1DZ-II: Non-road Mobile Machinery (97/68/EC; Stage II) EPA Non-road Diesel Emissions (40 CFR Part 89; Interim Tier 2).
 1DZ-III: Non-road Mobile Machinery (97/68/EC; Stage IIIA) EPA Non-road Diesel Emissions (40 CFR Part 1039; Interim Tier 4).
 The data in this publication was determined based on our standard testing condition. Operating performance may vary depending on the actual specification and condition of the vehicle as well as the condition of the operating area.

DIMENSIONAL DRAWINGS



SPECIAL TREAD

Front Tire Single/Dual	Single	Single	Dual
Front Tire Size	6.00-9-10PR (I)	6.50-10-10PR (I)	4.50-12-8PR (I)
Overall Width	mm	1045	1070
Tread, Front	mm	885	885
			1010

UNDERCLEARANCE mm

Mast (Full Load)	80
Drive Axle (Full Load)	80
Steer Axle (No Load)	130
Center of Wheelbase (Full Load)	110
Counterweight (No Load)	125

RATED CAPACITIES

Unit: kg (W)

V, FV Mast (PN or PSC)				
A (mm)	4000	4500	5000	
500	1000	950	950	
600	900	850	850	
700	810	770	770	
B (mm)	800	750	710	
	900	690	650	
	1000	640	610	
	1100	600	570	
1200	560	530	530	

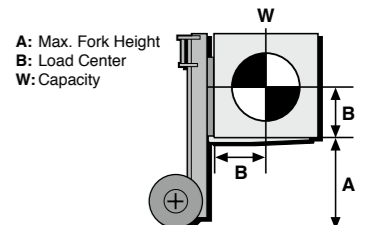
FSV Mast (PN)

A (mm)	3700	4000	4300	4500	4700	5000	5500	6000	6500	7000
500	950	900	900	900	900	850	850	700 [800]	700 [700]	650 [650]
600	850	810	810	810	810	760	760	630 [720]	630 [630]	580 [580]
700	780	740	740	740	740	690	690	570 [650]	570 [570]	530 [530]
B (mm)	800	710	670	670	670	640	640	520 [600]	520 [520]	490 [490]
	900	660	620	620	620	590	590	480 [550]	480 [480]	450 [450]
	1000	610	580	580	580	550	550	450 [510]	450 [450]	420 [420]
	1100	570	540	540	540	510	510	420 [480]	420 [420]	390 [390]
1200	540	510	510	510	510	480	480	390 [450]	390 [390]	370 [370]

[] for dual tire models (PN or PSC).

FSV Mast (PSC)

A (mm)	6000	
500	800	
600	720	
700	650	
B (mm)	800	600
	900	550
	1000	510
	1100	480
1200	450	



MAST SPECIFICATIONS & RATED CAPACITIES

Mast Type	Maximum Fork Height	Overall Height				Free Lift		Single Tire				Dual Tire		
		Lowered	Extended		Without Load Backrest	With Standard Load Backrest	Tilt Range		Load Capacity at 500 mm LC		Tilt Range		Load Capacity at 500 mm LC	
			Without Load Backrest	With Standard Load Backrest			FWD	BWD	Pneumatic Tire	Pneumatic-Shaped Cushion Tire	FWD	BWD		Pneumatic Tire/Pneumatic-Shaped Cushion Tire
Wide Visible Mast (V)	2700	1820*	3150**	3920	140	140	7	10	1000	1000	7	10	1000	
	3000	1970*	3450**	4220	140	140	7	10	1000	1000	7	10	1000	
	3300	2120*	3750**	4520	140	140	7	10	1000	1000	7	10	1000	
	3500	2220*	3950**	4720	140	140	7	10	1000	1000	7	10	1000	
	3700	2380*	4150**	4920	140	140	7	10	1000	1000	7	10	1000	
	4000	2570*	4450**	5220	140	140	7	10	1000	1000	7	10	1000	
	4500	2820*	4950**	5720	140	140	7	5	950	950	7	10	950	
	5000	3070*	5450**	6220	140	140	7	5	950	950	7	5	950	
	Wide Visible Full-Free Lift Two-Stage Mast (FV)	2870***	1905*	3440	4090	1335*	685*	7	10	1000	1000	7	10	1000
		3000	1970*	3570	4220	1400*	750*	7	10	1000	1000	7	10	1000
3300		2120*	3870	4520	1550*	900*	7	10	1000	1000	7	10	1000	
3500		2220*	4070	4720	1650*	1000*	7	10	1000	1000	7	10	1000	
3700		2380*	4270	4920	1810*	1160*	7	10	1000	1000	7	10	1000	
4000		2570*	4570	5220	2000*	1350*	7	10	1000	1000	7	10	1000	
Wide Visible Full-Free Lift Three-Stage Mast (FSV)		3700	1770*	4240	4920	1230*	550*	7	5	950	950	7	5	950
		4000	1870*	4540	5220	1330*	650*	7	5	900	900	7	5	900
	4300	1970*	4840	5520	1430*	750*	7	5	900	900	7	5	900	
	4500	2040*	5040	5720	1500*	820*	7	5	900	900	7	5	900	
	4700	2120*	5240	5920	1580*	900*	7	5	900	900	7	5	900	
	5000	2220*	5540	6220	1680*	1000*	7	5	850	850	7	5	850	
	5500	2380*	6040	6720	1840*	1160*	7	5	850	850	7	5	850	
	6000	2570*	6540	7220	2030*	1350*	7	5	700	800	7	5	800	
	6500	2820*	7040	7720	2280*	1600*	—	—	—	—	7	5	700	
	7000	3070*	7540	8220	2530*	1850*	—	—	—	—	7	5	650	

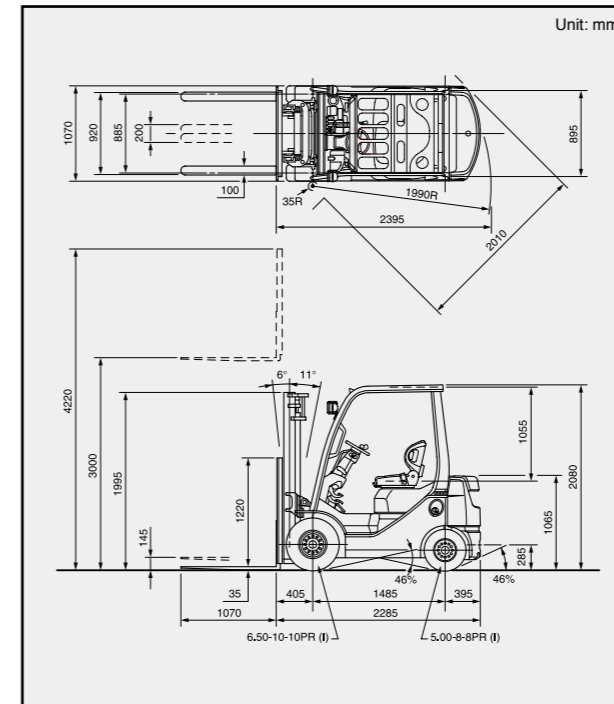
NOTE: Height of standard load backrest is 1220 mm.
 * with optional tire size; 6.50-10-10PR (I), plus 25 mm.
 ** with A4 piping, plus 155 mm.
 *** Set only to a Russian specification.

MAIN VEHICLE SPECIFICATIONS

Characteristics	1	Manufacturer		TOYOTA				1		
	2	Model		30-8FG15		32-8FG15		2		
	3	Load Capacity		1500				3		
	4	Load Center		500				4		
	5	Power Type		Gasoline				5		
	6	Operator Position		Rider Seated				6		
	7	Tire Type	Front/Rear	Pneumatic				7		
	8	Wheels (x = driven)	Front/Rear	2x/2				8		
Dimensions	9	Maximum Fork Height (MFH)		3000				9		
	10	Free Lift		145				10		
	13	Fork Size	T x W x L	35x100x1070				13		
		Fork Spread (Outside)	MAX./MIN.	920/200						
	14	Tilt Range	FWD/BWD	6/11				14		
	15	Length to Fork Face		2285				15		
	16	Overall Width		1070				16		
	17	Mast Lowered Height		1995				17		
	18	Mast Extended Height		4220				18		
	19	Overhead Guard Height		2080				19		
	21	Turning Radius (Outside)		1990				21		
	22	Load Distance (Centerline of front axle to front face of forks)		405				22		
		Rear Overhang		395						
	23	Basic Right Angle Stacking Aisle Width (Add load length and clearance)		2395				23		
Performance	24	Travel, Max. (FWD/RVS)	Full Load	km/h	19.0/19.0	18.5/18.5	19.0/19.0	19.0/19.0	24	
	No Load		km/h	19.5/19.5	19.0/19.0	19.5/19.5	19.5/19.5			
	25	Speeds	Lifting	Full Load	mm/sec	610	610	650	650	25
				No Load	mm/sec	660	660	675	675	
	26		Lowering	Full Load	mm/sec	500	500	500	500	26
				No Load	mm/sec	550	550	550	550	
	28	Max. Drawbar Pull	Full Load	N (kg)	15500 (1580)	17500 (1790)	15500 (1580)	17600 (1790)	28	
				N (kg)	6900 (700)	6300 (640)	7000 (710)	7000 (710)		
			Full Load	N (kg)	—	15700 (1600)	—	16000 (1630)		
				N (kg)	—	—	—	—		
29	Gradeability at 1.5 km/h *	Full Load	% (tanθ)	—	45	—	45	29		
30	Max. Gradeability *	Full Load	% (tanθ)	45	45	44	45	30		
			No Load	% (tanθ)	22	22	22	22		
Weight	32 Total Weight		kg		2430			32		
	33	Weight Distribution	Full Load	Front	kg	3430			33	
				Rear	kg	500				
	34		No Load	Front	kg	1010			34	
				Rear	kg	1420				
	35	Tires	Number	Front/Rear	2/2				35	
Wheels and Tires	36	Tires	Size	Front	6.50-10-10PR (I)			36		
				Rear	5.00-8-8PR (I)			37		
	37	Wheelbase	mm		1485			37		
	39	Tread	Front	mm	885			39		
Rear			mm	895						
Backrest Height		mm		1220						
Overhead Guard Clearance		mm		1055						
Counterweight Height		mm		1065						
Drawbar Pin Center Height		mm		285						
Step Height/Floor Height		mm		395/635						
Drive Unit and Control	40	Underclearance	Min. <Mast>	mm		100			40	
	41	(Full Load)	Center of Wheelbase	mm		115			41	
			Grade Clearance	Frame/Counterweight	% (tanθ)		46/46			
	42	Brake	Service (Foot)	Hydraulic				42		
			Parking	Hand	Foot		Hand	Foot		
	43	Battery	Voltage/Capacity (5HR)	V/AH		12/27			43	
	49	Internal Combustion Engine	Make/Model	TOYOTA/4Y		TOYOTA/1DZ-II [1DZ-III] **			49	
	50		Rated Power/r.p.m.	kW (JIS ps)		40/2400 (54/2400)			50	
	51		Rated Torque/r.p.m.	N-m (JIS kg-m)		162/1800 (16.5/1800)			51	
	52		Number of Cylinder	4						52
Piston Displacement			cc							
55	Transmission	Type	Manual	Powershift		Manual	Powershift			
57	Operating Pressure	For Attachments	Mpa (kg/cm ²)		11.8 (120)			57		

NOTE: * Computed values.
 ** 1DZ-II: Non-road Mobile Machinery (97/68/EC; Stage II) EPA Non-road Diesel Emissions (40 CFR Part 89; Interim Tier 2).
 1DZ-III: Non-road Mobile Machinery (97/68/EC; Stage IIIA) EPA Non-road Diesel Emissions (40 CFR Part 1039; Interim Tier 4).
 The data in this publication was determined based on our standard testing condition. Operating performance may vary depending on the actual specification and condition of the vehicle as well as the condition of the operating area.

DIMENSIONAL DRAWINGS



SPECIAL TREAD

Front Tire Single/Dual	Single	Single	Dual
Front Tire Size	6.50-10-10PR (I)	21x8-9-10PR (I)	4.50-12-8PR (I)
Overall Width	mm 1070	1110	1290
Tread, Front	mm 885	920	1010

UNDERCLEARANCE mm

Mast (Full Load)	100
Drive Axle (Full Load)	105
Steer Axle (No Load)	120
Center of Wheelbase (Full Load)	115
Counterweight (No Load)	120

MAST SPECIFICATIONS & RATED CAPACITIES

Mast Type	Maximum Fork Height	Overall Height		Free Lift		Tilt Range		Single Tire		Dual Tire			
		Lowered	Extended		Without Load Backrest	With Standard Load Backrest	Load Capacity at 500 mm LC		Tilt Range		Load Capacity at 500 mm LC		
			Without Load Backrest	With Standard Load Backrest			Pneumatic Tire	Pneumatic-Shaped Cushion Tire	FWD	BWD		Pneumatic Tire / Pneumatic-Shaped Cushion Tire	
Wide Visible Mast (V)	2700	1845	3150*	3920	145	145	6	11	1500	1500	7	10	1500
	3000	1995	3450*	4220	145	145	6	11	1500	1500	7	10	1500
	3300	2145	3750*	4520	145	145	6	11	1500	1500	7	10	1500
	3500	2245	3950*	4720	145	145	6	11	1500	1500	7	10	1500
	3700	2405	4150*	4920	145	145	6	11	1500	1500	7	10	1500
Wide Visible Full-Free Lift Two-Stage Mast (FV)	4000	2595	4450*	5220	145	145	6	11	1500	1500	7	10	1500
	4500	2845	4950*	5720	145	145	6	11	1450	1450	7	10	1450
	5000	3095	5450*	6220	145	145	6	11	1300	1300	7	5	1300
	2870**	1930	3440	4090	1365	715	6	11	1500	1500	7	10	1500
	3000	1995	3570	4220	1430	780	6	11	1500	1500	7	10	1500
Wide Visible Full-Free Lift Three-Stage Mast (FSV)	3300	2145	3870	4520	1580	930	6	11	1500	1500	7	10	1500
	3500	2245	4070	4720	1680	1030	6	11	1500	1500	7	10	1500
	3700	2405	4270	4920	1840	1190	6	11	1500	1500	7	10	1500
	4000	2595	4570	5220	2030	1380	6	11	1500	1500	7	10	1500
	3700	1795	4240	4920	1260	580	6	6	1400	1400	7	5	1400
	4000	1895	4540	5220	1360	680	6	6	1400	1400	7	5	1400
	4300	1995	4840	5520	1460	780	6	6	1400	1400	7	5	1400
	4500	2065	5040	5720	1530	850	6	6	1350	1350	7	5	1350
	4700	2145	5240	5920	1610	930	6	6	1350	1350	7	5	1350
	5000	2245	5540	6220	1710	1030	6	6	1250	1300	7	5	1300
5500	2405	6040	6720	1870	1190	6	6	950	1050	7	5	1250	
6000	2595	6540	7220	2060	1380	6	6	700	800	7	5	1100	
6500	2845	7040	7720	2310	1630	—	—	—	—	7	5	900	
7000	3095	7540	8220	2560	1880	—	—	—	—	7	5	650	

NOTE: Height of standard load backrest is 1220 mm.
 * with A4 piping, plus 155 mm.
 ** Set only to a Russian specification.

RATED CAPACITIES

Unit: kg (W)

V, FV Mast (PN or PSC)

A (mm)	4000	4500	5000
500	1500	1450	1300
600	1350	1300	1170
700	1220	1180	1060
800	1120	1090	970
900	1040	1000	900
1000	960	930	830
1100	900	870	780
1200	840	810	730

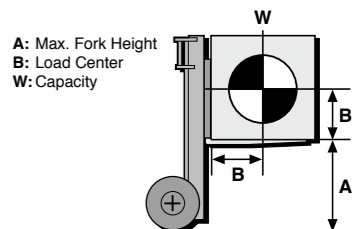
FSV Mast (PN)

A (mm)	4300	4500	4700	5000	5500	6000	6500	7000
500	1400	1350	1350	1250 [1300]	950 [1250]	700 [1100]	— [900]	— [650]
600	1260	1210	1210	1120 [1170]	850 [1120]	630 [990]	— [810]	— [580]
700	1150	1110	1110	1020 [1060]	780 [1020]	570 [900]	— [740]	— [530]
800	1050	1020	1020	940 [980]	710 [940]	520 [830]	— [680]	— [490]
900	970	940	940	870 [900]	660 [870]	480 [760]	— [620]	— [450]
1000	910	870	870	810 [840]	610 [810]	450 [710]	— [580]	— [420]
1100	850	820	820	750 [790]	570 [750]	420 [660]	— [540]	— [390]
1200	790	770	770	710 [740]	540 [710]	390 [620]	— [510]	— [370]

[] for dual tire models (PN or PSC).

FSV Mast (PSC)

A (mm)	5000	5500	6000
500	1300	1050	800
600	1170	940	720
700	1060	860	650
800	980	790	600
900	900	730	550
1000	840	680	520
1100	790	630	480
1200	740	590	450



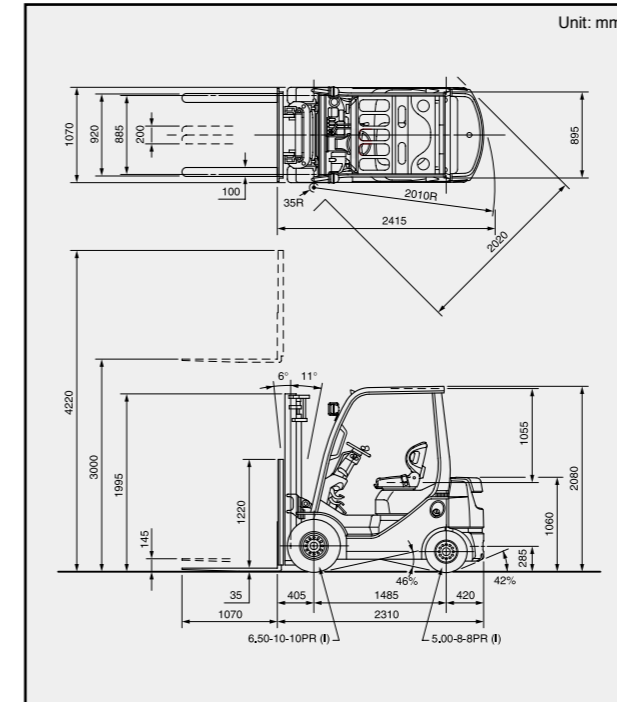
MAIN VEHICLE SPECIFICATIONS

Characteristics		TOYOTA		TOYOTA		
1	Manufacturer		TOYOTA		TOYOTA	1
2	Model		32-8FG18		62-8FD18	2
3	Load Capacity	kg	1750		1750	3
4	Load Center	mm	500		500	4
5	Power Type		Gasoline		Diesel	5
6	Operator Position		Rider Seated		Rider Seated	6
7	Tire Type	Front/Rear	Pneumatic		Pneumatic	7
8	Wheels (x = driven)	Front/Rear	2x/2		2x/2	8
Dimensions		TOYOTA		TOYOTA		
9	Maximum Fork Height (MFH)	mm	3000		3000	9
10	Free Lift	mm	145		145	10
13	Fork Size	T x W x L	35x100x1070		35x100x1070	13
	Fork Spread (Outside)	MAX./MIN.	920/200		920/200	
14	Tilt Range	FWD/BWD	6/11		6/11	14
15	Length to Fork Face	mm	2310		2310	15
16	Overall Width	mm	1070		1070	16
17	Mast Lowered Height	mm	1995		1995	17
18	Mast Extended Height	mm	4220		4220	18
19	Overhead Guard Height	mm	2080		2080	19
21	Turning Radius (Outside)	mm	2010		2010	21
22	Load Distance (Centerline of front axle to front face of forks)	mm	405		405	22
	Rear Overhang	mm	420		420	
23	Basic Right Angle Stacking Aisle Width (Add load length and clearance)	mm	2415		2415	23
Performance		TOYOTA		TOYOTA		
24	Travel, Max. (FWD/RVS)	Full Load	km/h	18.5/18.5	19.0/19.0	24
		No Load	km/h	19.0/19.0	19.5/19.5	
25	Speeds	Lifting	Full Load	610	650	25
		No Load	mm/sec	660	675	
26	Lowering	Full Load	mm/sec	500	500	26
		No Load	mm/sec	550	550	
28	Max. Drawbar Pull	Full Load	N (kg)	17500 (1790)	17600 (1790)	28
		No Load	N (kg)	6300 (640)	6300 (640)	
	Max. Drawbar Pull at 1.5km/h *	Full Load	N (kg)	15600 (1590)	16000 (1630)	
29		Gradeability at 1.5 km/h *	Full Load	% (tanθ)	40	40
30	Max. Gradeability *	Full Load	% (tanθ)	45	44	30
		No Load	% (tanθ)	20	20	
Weight		TOYOTA		TOYOTA		
32	Total Weight	kg	2610		2710	32
33	Weight Distribution	Full Load	Front	kg	3790	33
			Rear	kg	570	550
34	No Load	Front	kg	970	1090	34
		Rear	kg	1640	1620	
35	Tires	Number	Front/Rear	2/2	2/2	35
36	Size	Front		6.50-10-10PR (I)	6.50-10-10PR (I)	36
37		Rear		5.00-8-8PR (I)	5.00-8-8PR (I)	37
38	Wheelbase	mm	1485		1485	38
39	Tread	Front	mm	885	885	39
		Rear	mm	895	895	
	Backrest Height	mm	1220		1220	
	Overhead Guard Clearance	mm	1055		1055	
	Counterweight Height	mm	1060		1060	
	Drawbar Pin Center Height	mm	285		285	
	Step Height/Floor Height	mm	395/635		395/635	
40	Underclearance	mm	100		100	40
41	(Full Load)	Min. <Mast>	mm	115	115	41
		Center of Wheelbase	mm	115	115	
	Grade Clearance	Frame/Counterweight	% (tanθ)	46/42	46/42	
42	Brake	Service (Foot)	Hydraulic		Hydraulic	42
43	Parking	Foot	Foot		Foot	43
Drive Unit and Control		TOYOTA		TOYOTA		
45	Battery	Voltage/Capacity (5HR)	V/AH	12/27	12/55	45
49	Internal Combustion Engine	Make/Model		TOYOTA/4Y	TOYOTA/1DZ-II [1DZ-III] **	49
50		Rated Power/r.p.m.	kW (JIS ps)	40/2400 (54/2400)	40 (55) /2400 [38 (52) /2400]	50
51	Number of Cylinder	Rated Torque/r.p.m.	N-m (JIS kg-m)	162/1800 (16.5/1800)	167 (17.0) /1600 [157 (16.0) /2300]	51
52		Piston Displacement	cc	2237	2486	52
	Fuel Tank Capacity	liter	45	45		
55	Transmission	Type		Powershift	Powershift	55
		Stage	FWD/RVS	1/1	1/1	
57	Operating Pressure	For Attachments	Mpa (kg/cm ²)	11.8 (120)	11.8 (120)	57

NOTE: * Computed values.
 ** 1DZ-II: Non-road Mobile Machinery (97/68/EC; Stage II) EPA Non-road Diesel Emissions (40 CFR Part 89; Interim Tier 2).
 1DZ-III: Non-road Mobile Machinery (97/68/EC; Stage IIIA) EPA Non-road Diesel Emissions (40 CFR Part 1039; Interim Tier 4).

The data in this publication was determined based on our standard testing condition. Operating performance may vary depending on the actual specification and condition of the vehicle as well as the condition of the operating area.

DIMENSIONAL DRAWINGS



SPECIAL TREAD

Front Tire Single/Dual	Single	Single	Dual
Front Tire Size	6.50-10-10PR (I)	21x8-9-10PR (I)	4.50-12-8PR (I)
Overall Width	mm	1070	1290
Tread, Front	mm	885	1010

UNDERCLEARANCE mm

Mast (Full Load)	100
Drive Axle (Full Load)	105
Steer Axle (No Load)	120
Center of Wheelbase (Full Load)	115
Counterweight (No Load)	120

RATED CAPACITIES

Unit: kg (W)

V, FV Mast (PN or PSC)					
A (mm)	3700	4000	4500	5000	
500	1750	1700	1600	1550	
600	1570	1530	1440	1390	
700	1430	1390	1310	1270	
800	1310	1270	1200	1160	
900	1210	1180	1110	1070	
1000	1120	1090	1030	1000	
1100	1050	1020	960	930	
1200	980	960	900	870	

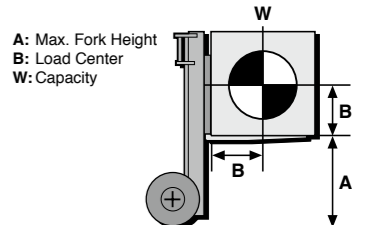
FSV Mast (PN)

FSV Mast (PN)										
A (mm)	4000	4300	4500	4700	5000	5500	6000	6500	7000	
500	1600	1550	1500	1500	1450	1100 [1400]	850 [1200]	[850]	[600]	[600]
600	1440	1390	1350	1350	1300	990 [1260]	760 [1080]	[760]	[540]	[540]
700	1310	1270	1230	1230	1190	900 [1150]	690 [980]	[690]	[490]	[490]
800	1200	1170	1130	1130	1090	830 [1050]	640 [900]	[640]	[450]	[450]
900	1110	1080	1040	1040	1010	760 [970]	590 [830]	[590]	[410]	[410]
1000	1040	1000	970	970	940	710 [910]	550 [780]	[550]	[390]	[390]
1100	970	940	910	910	880	660 [850]	510 [720]	[510]	[360]	[360]
1200	910	880	850	850	820	620 [790]	480 [680]	[480]	[340]	[340]

[] for dual tire models (PN or PSC).

FSV Mast (PSC)

FSV Mast (PSC)		
A (mm)	5500	6000
500	1200	950
600	1080	850
700	980	780
800	900	710
900	830	660
1000	780	610
1100	720	570
1200	680	540



MAST SPECIFICATIONS & RATED CAPACITIES

Mast Type	Maximum Fork Height	Overall Height				Free Lift		Tilt Range		Single Tire		Dual Tire	
		Lowered	Extended		Without Load Backrest	With Standard Load Backrest	FWD	BWD	Load Capacity at 500 mm LC		Tilt Range		Load Capacity at 500 mm LC
			Without Load Backrest	With Standard Load Backrest					Pneumatic Tire	Pneumatic-Shaped Cushion Tire	FWD	BWD	
Wide Visible Mast (V)	2700	1845	3330*	3920	145	145	6	11	1750	1750	7	10	1750
	3000	1995	3630*	4220	145	145	6	11	1750	1750	7	10	1750
	3300	2145	3930*	4520	145	145	6	11	1750	1750	7	10	1750
	3500	2245	4130*	4720	145	145	6	11	1750	1750	7	10	1750
	3700	2405	4330*	4920	145	145	6	11	1750	1750	7	10	1750
	4000	2595	4630*	5220	145	145	6	11	1700	1700	7	10	1700
Wide Visible Full-Free Lift Two-Stage Mast (FV)	2870**	1930	3440	4090	1365	715	6	11	1750	1750	7	10	1750
	3000	1995	3570	4220	1430	780	6	11	1750	1750	7	10	1750
	3300	2145	3870	4520	1580	930	6	11	1750	1750	7	10	1750
	3500	2245	4070	4720	1680	1030	6	11	1750	1750	7	10	1750
	3700	2405	4270	4920	1840	1190	6	11	1750	1750	7	10	1750
	4000	2595	4570	5220	2030	1380	6	11	1700	1700	7	10	1700
Wide Visible Full-Free Lift Three-Stage Mast (FSV)	3700	1795	4240	4920	1260	580	6	6	1600	1600	7	5	1600
	4000	1895	4540	5220	1360	680	6	6	1600	1600	7	5	1600
	4300	1995	4840	5520	1460	780	6	6	1550	1550	7	5	1550
	4500	2065	5040	5720	1530	850	6	6	1500	1500	7	5	1500
	4700	2145	5240	5920	1610	930	6	6	1500	1500	7	5	1500
	5000	2245	5540	6220	1710	1030	6	6	1450	1450	7	5	1450
	5500	2405	6040	6720	1870	1190	6	6	1100	1200	7	5	1400
	6000	2595	6540	7220	2060	1380	6	6	850	950	7	5	1200
	6500	2845	7040	7720	2310	1630	—	—	—	—	7	5	850
	7000	3095	7540	8220	2560	1880	—	—	—	—	7	5	600

NOTE: Height of standard load backrest is 1220 mm.
 * with A4 piping, minus 15 mm.
 ** Set only to a Russian specification.

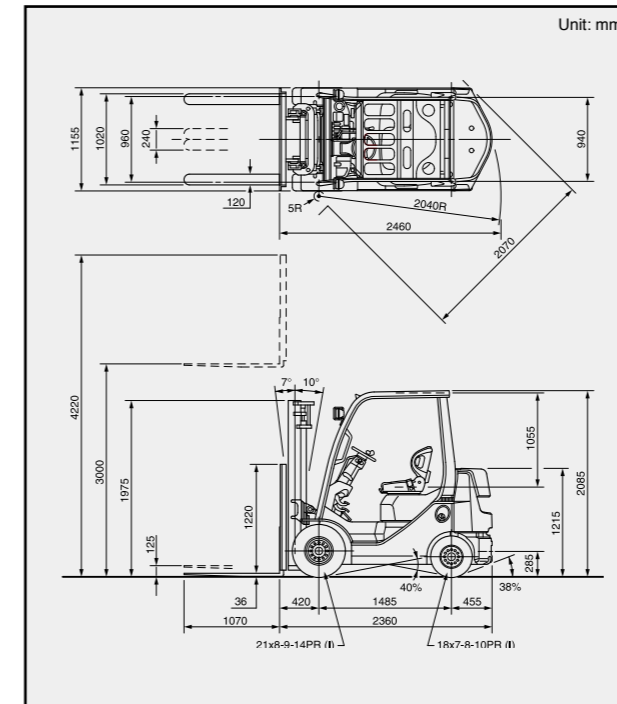
MAIN VEHICLE SPECIFICATIONS

Characteristics		TOYOTA		TOYOTA			
1	Manufacturer		TOYOTA	TOYOTA		1	
2	Model		32-8FGK20	62-8FDK20		2	
3	Load Capacity	kg	2000	2000		3	
4	Load Center	mm	500	500		4	
5	Power Type		Gasoline	Diesel		5	
6	Operator Position		Rider Seated	Rider Seated		6	
7	Tire Type	Front/Rear	Pneumatic	Pneumatic		7	
8	Wheels (x = driven)	Front/Rear	2x/2	2x/2		8	
Dimensions		TOYOTA		TOYOTA			
9	Maximum Fork Height (MFH)	mm	3000	3000		9	
10	Free Lift	mm	125	125		10	
13	Fork Size	T x W x L	36x120x1070	36x120x1070		13	
	Fork Spread (Outside)	MAX./MIN.	1020/240	1020/240			
14	Tilt Range	FWD/BWD	7/10	7/10		14	
15	Length to Fork Face	mm	2360	2360		15	
16	Overall Width	mm	1155	1155		16	
17	Mast Lowered Height	mm	1975	1975		17	
18	Mast Extended Height	mm	4220	4220		18	
19	Overhead Guard Height	mm	2085	2085		19	
21	Turning Radius (Outside)	mm	2040	2040		21	
22	Load Distance (Centerline of front axle to front face of forks)	mm	420 (430) **	420 (430) **		22	
	Rear Overhang	mm	455	455			
23	Basic Right Angle Stacking Aisle Width (Add load length and clearance)	mm	2460	2460		23	
Performance		TOYOTA		TOYOTA			
24	Speeds	Travel, Max. (FWD/RVS)	Full Load	km/h	17.0/17.0	24	
			No Load	km/h	17.5/17.5		
		Lifting	Full Load	mm/sec	600	580	
			No Load	mm/sec	640	600	
	Lowering	Full Load	mm/sec	500	500	26	
			No Load	mm/sec	550	500	
28	Max. Drawbar Pull	Full Load	N (kg)	19000 (1940)	19500 (1990)	28	
			No Load	N (kg)	7800 (800)	7800 (800)	
	Max. Drawbar Pull at 1.5km/h *	Full Load	N (kg)	17400 (1770)	17500 (1780)		
29	Gradeability at 1.5 km/h *	Full Load	% (tanθ)	35	34	29	
	Max. Gradeability *	Full Load	% (tanθ)	39	38	30	
			No Load	% (tanθ)	20	20	
Weight		TOYOTA		TOYOTA			
32	Total Weight	kg	3110	3180		32	
33	Weight Distribution	Full Load	Front	kg	4440	4480	33
				Rear	kg	670	700
34	No Load	Front	kg	1140	1180	34	
			Rear	kg	1970	2000	
Wheels and Tires		TOYOTA		TOYOTA			
35	Tires	Number	Front/Rear		2/2	35	
	Size	Front		21x8-9-14PR (I)	21x8-9-14PR (I)	36	
			Rear		18x7-8-10PR (I)	18x7-8-10PR (I)	37
38	Wheelbase	mm	1485	1485		38	
39	Tread	Front	mm	960	960	39	
			Rear	mm	940	940	
	Backrest Height	mm	1220	1220			
	Overhead Guard Clearance	mm	1055	1055			
	Counterweight Height	mm	1215	1215			
	Drawbar Pin Center Height	mm	285	285			
	Step Height/Floor Height	mm	380/615	380/615			
40	Underclearance	Min. <Mast>	mm	80	80	40	
41	(Full Load)	Center of Wheelbase	mm	105	105	41	
	Grade Clearance	Frame/Counterweight	% (tanθ)	40/38	40/38		
42	Brake	Service (Foot)		Hydraulic	Hydraulic	42	
		Parking		Foot	Foot	43	
Drive Unit and Control		TOYOTA		TOYOTA			
45	Battery	Voltage/Capacity (5HR)	V/AH	12/27	12/55	45	
49	Internal Combustion Engine	Make/Model		TOYOTA/4Y	TOYOTA/1DZ-II ***	49	
			Rated Power/r.p.m.		40/2400 (54/2400)	40/2400 (55/2400)	50
51	Rated Torque/r.p.m.	N-m (JIS ps)		162/1800 (16.5/1800)	167/1600 (17.0/1600)	51	
			N-m (JIS kg-m)				
52	Number of Cylinder			4	4	52	
			Piston Displacement	cc	2237	2486	
	Fuel Tank Capacity			55	55		
			Type		Powershift	Powershift	
55	Transmission	Stage		1/1	1/1	55	
			FWD/RVS				
57	Operating Pressure	For Attachments	Mpa (kg/cm ²)	15.7 (160)	15.7 (160)	57	

NOTE: * Computed values.
 ** Number shown in () is when the forkbar width is other than 1020 mm.
 ***1DZ-II: Non-road Mobile Machinery (97/68/EC; Stage II) EPA Non-road Diesel Emissions (40 CFR Part 89; Interim Tier 2).

The data in this publication was determined based on our standard testing condition.
 Operating performance may vary depending on the actual specification and condition of the vehicle as well as the condition of the operating area.

DIMENSIONAL DRAWINGS



UNDERCLEARANCE mm

Mast (Full Load)	80
Drive Axle (Full Load)	85
Steer Axle (No Load)	130
Center of Wheelbase (Full Load)	105
Counterweight (No Load)	125

RATED CAPACITIES

Unit: kg (W)

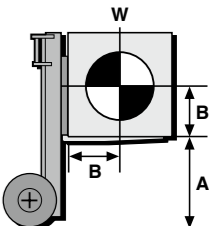
V, FV Mast (PN)				V, FV Mast (PSC)			
A (mm)	4000	4500	5000	A (mm)	4000	4500	5000
500	2000	1950	1850	500	2000	2000	2000
600	1800	1760	1670	600	1800	1800	1800
700	1640	1600	1520	700	1640	1640	1640
800	1510	1470	1400	800	1510	1510	1510
900	1400	1360	1290	900	1400	1400	1400
1000	1300	1270	1200	1000	1300	1300	1300
1100	1220	1190	1120	1100	1220	1220	1220
1200	1140	1110	1060	1200	1140	1140	1140

FSV Mast (PN)

A (mm)	3700	4000	4300	4500	4700	5000	5500	6000
500	2000	1950	1900	1850	1850	1450	1200	850
600	1810	1760	1720	1670	1670	1310	1080	760
700	1650	1610	1570	1530	1530	1200	990	700
800	1520	1480	1440	1400	1400	1100	910	640
900	1410	1370	1340	1300	1300	1020	840	600
1000	1310	1280	1240	1210	1210	950	780	550
1100	1230	1200	1160	1130	1130	890	730	520
1200	1150	1120	1090	1060	1060	830	690	490

FSV Mast (PSC)

A (mm)	4700	5000	5500	6000
500	2000	1600	1350	1000
600	1810	1440	1220	900
700	1650	1320	1110	820
800	1520	1210	1020	760
900	1410	1120	950	700
1000	1310	1050	880	650
1100	1230	980	830	610
1200	1150	920	780	570



A: Max. Fork Height
 B: Load Center
 W: Capacity

MAST SPECIFICATIONS & RATED CAPACITIES

Mast Type	Maximum Fork Height	Overall Height			Free Lift		Tilt Range		Load Capacity at 500 mm LC	
		Lowered	Extended		Without Load Backrest	With Standard Load Backrest	FWD	BWD	Pneumatic Tire	Pneumatic-Shaped Cushion Tire
			Without Load Backrest	With Standard Load Backrest						
Wide Visible Mast (V)	2700	1825	3375	3920	120	120	7	10	2000	2000
	3000	1975	3675	4220	120	120	7	10	2000	2000
	3300	2125	3975	4520	120	120	7	10	2000	2000
	3500	2225	4175	4720	120	120	7	10	2000	2000
	3700	2385	4375	4920	120	120	7	10	2000	2000
	4000	2575	4675	5220	120	120	7	10	2000	2000
Wide Visible Full-Free Lift Two-Stage Mast (FV)	3000	1975	3610	4220	1365	760	7	10	2000	2000
	3300	2125	3910	4520	1515	910	7	10	2000	2000
	3500	2225	4110	4720	1615	1010	7	10	2000	2000
	3700	2385	4310	4920	1775	1170	7	10	2000	2000
	4000	2575	4610	5220	1965	1360	7	10	2000	2000
	Wide Visible Full-Free Lift Three-Stage Mast (FSV)	3700	1775	4350	4920	1125	560	7	5	2000
4000		1875	4650	5220	1225	660	7	5	1950	2000
4300		1975	4950	5520	1325	760	7	5	1900	2000
4500		2045	5150	5720	1395	830	7	5	1850	2000
4700		2125	5350	5920	1475	910	7	5	1850	2000
5000		2225	5650	6220	1575	1010	7	5	1450	1600
NOTE: Height of standard load backrest is 1220 mm.										

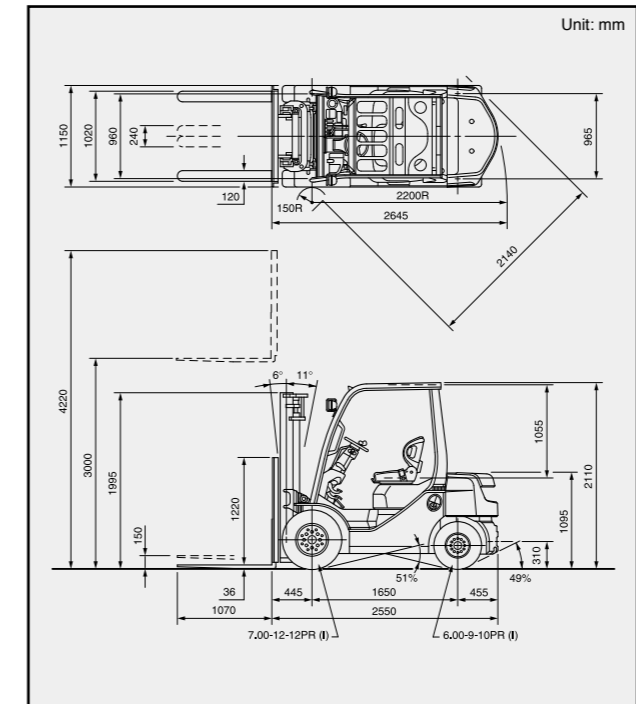
MAIN VEHICLE SPECIFICATIONS

		TOYOTA		TOYOTA		TOYOTA							
		30-8FG20	32-8FG20	60-8FD20	62-8FD20	70-8FD20	72-8FD20						
Characteristics	1	Manufacturer								1			
	2	Model								2			
	3	Load Capacity								3			
	4	Load Center								4			
	5	Power Type								5			
	6	Operator Position								6			
	7	Tire Type								7			
	8	Wheels (x = driven)								8			
Dimensions	9	Maximum Fork Height (MFH)								9			
	10	Free Lift								10			
	13	Fork Size								13			
		Fork Spread (Outside)											
	14	Tilt Range								14			
	15	Length to Fork Face								15			
	16	Overall Width								16			
	17	Mast Lowered Height								17			
	18	Mast Extended Height								18			
	19	Overhead Guard Height								19			
	21	Turning Radius (Outside)								21			
	22	Load Distance (Centerline of front axle to front face of forks)								22			
		Rear Overhang											
	23	Basic Right Angle Stacking Aisle Width (Add load length and clearance)								23			
	Performance	24	Travel, Max. (FWD/RVS)		Full Load	km/h	18.0/18.0	17.5/17.5	19.5/19.5	19.0/19.0	19.0/19.0	19.0/19.0	24
				No Load	km/h	18.5/18.5	18.0/18.0	20.0/20.0	19.5/19.5	19.5/19.5	19.5/19.5		
25		Speeds	Lifting		Full Load	mm/sec	600	600	615	615	650	650	
			No Load	mm/sec	640	640	655	655	675	675			
26			Lowering		Full Load	mm/sec	500	500	500	500	500	500	
			No Load	mm/sec	500	550	500	500	500	500			
28		Max. Drawbar Pull	Full Load		N (kg)	16500 (1680)	18700 (1910)	17500 (1780)	18600 (1900)	19500 (1990)	20000 (2040)		28
			No Load		N (kg)	9000 (920)	9000 (920)	9100 (930)	9100 (930)	9200 (940)	9200 (940)		
29		Max. Drawbar Pull at 1.5km/h *	Full Load		N (kg)	—	17200 (1750)	—	16900 (1720)	—	17500 (1780)		
			No Load		N (kg)	—	—	—	—	—	—		
29	Gradeability at 1.5 km/h *	Full Load		% (tanθ)	—	37	—	32	—	34	29		
30	Max. Gradeability *	Full Load		% (tanθ)	33	41	33	36	38	38		30	
		No Load		% (tanθ)	22	22	22	22	22	22			
Weight	32		Total Weight		kg	3250	3250	3290	3290	3340	32		
	33	Weight Distribution	Full Load		Front	kg	4580	4580	4600	4620		33	
			Rear	kg	670	690	720						
	34		No Load		Front	kg	1410	1430	1450	1450		34	
Rear			kg	1840	1860	1890							
Wheels and Tires	35	Number		Front/Rear		2/2	2/2	2/2	2/2	2/2	35		
	36	Tires	Front			7.00-12-12PR (I)	7.00-12-12PR (I)	7.00-12-12PR (I)			36		
			Rear			6.00-9-10PR (I)	6.00-9-10PR (I)	6.00-9-10PR (I)					
	37	Size									37		
	38	Wheelbase		mm	1650	1650	1650	1650	1650	1650	38		
	39	Tread	Front		mm	960	960	960	960	960		39	
			Rear		mm	965	965	965	965				
			Backrest Height		mm	1220	1220	1220	1220				
Overhead Guard Clearance			mm	1055	1055	1055	1055						
Counterweight Height			mm	1095	1095	1095	1095						
Drawbar Pin Center Height			mm	310	310	310	310						
Drive Unit and Control	Step Height/Floor Height		mm	435/675	435/675	435/675	435/675						
	40	Underclearance (Full Load)	Min. <Mast>		mm	95	95	95	95		40		
			Center of Wheelbase		mm	140	140	140	140				
	41		Grade Clearance		Frame/Counterweight	% (tanθ)	51/49	51/49	51/49	51/49		41	
			Service (Foot)		Hydraulic	Hydraulic	Hydraulic						
	42	Parking			Hand	Foot	Hand	Foot	Hand	Foot	42		
	43	Battery	Voltage/Capacity (5HR)		V/AH	12/27	12/27	12/55	12/55	12/64	12/64	43	
			Make/Model			TOYOTA/4Y	TOYOTA/1DZ-II [1DZ-III] ***	TOYOTA/2Z ****					
			Rated Power/r.p.m.		kW (JIS ps)	40/2400 (54/2400)	44 (60)/2600 [41 (55)/2500]	49/2200 (66/2200)					
			Rated Torque/r.p.m.		N-m (JIS kg-m)	162/1800 (16.5/1800)	167 (17.0)/1600 [157 (16.0)/2500]	216/1600 (22.0/1600)					
Number of Cylinder				4	4	4							
Piston Displacement			cc	2237	2486	3469							
Fuel Tank Capacity			liter	60	60	60							
55	Transmission	Type		Manual	Powershift	Manual	Powershift	Manual	Powershift		55		
		Stage		FWD/RVS	2/2	1/1	2/2	1/1	2/2	1/1			
57	Operating Pressure		For Attachments	Mpa (kg/cm²)	15.7 (160)	15.7 (160)	15.7 (160)	15.7 (160)	15.7 (160)	15.7 (160)	57		

NOTE: * Computed values.
 ** Number shown in () is when the forkbar width is other than 1020 mm.
 *** 1DZ-II: Non-road Mobile Machinery (97/68/EC; Stage II) EPA Non-road Diesel Emissions (40 CFR Part 89; Interim Tier 2).
 1DZ-III: Non-road Mobile Machinery (97/68/EC; Stage IIIA) EPA Non-road Diesel Emissions (40 CFR Part 1039; Interim Tier 4).
 **** 2Z: Non-road Mobile Machinery (97/68/EC; Stage II).

The data in this publication was determined based on our standard testing condition.
 Operating performance may vary depending on the actual specification and condition of the vehicle as well as the condition of the operating area.

DIMENSIONAL DRAWINGS



SPECIAL TREAD

Front Tire Single/Dual	Single	Dual	Dual
Front Tire Size	7.00-12-12PR (I)	5.50-15-8PR (I)	7.00-12-12PR (I)
Overall Width	mm 1150	1450	1610
Tread, Front	mm 960	1105	1190

UNDERCLEARANCE mm

Mast (Full Load)	95
Drive Axle (Full Load)	130
Steer Axle (No Load)	160
Center of Wheelbase (Full Load)	140
Counterweight (No Load)	150

RATED CAPACITIES

Unit: kg (W)

V, FV Mast (PN)					V, FV Mast (PSC)		
A (mm)	4000	4500	5000		A (mm)	4500	5000
500	2000	1950	1850	1850	500	1950	1900
600	1810	1760	1670	1670	600	1760	1710
700	1650	1610	1520	1520	700	1610	1570
800	1520	1480	1400	1400	800	1480	1440
900	1400	1370	1300	1300	900	1370	1330
1000	1310	1270	1210	1210	1000	1270	1240
1100	1220	1190	1130	1130	1100	1190	1160
1200	1150	1120	1060	1060	1200	1120	1090
1300	1080	1060	1000	1000	1300	1060	1030

[] for dual tire models.

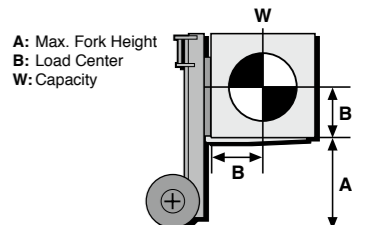
FSV Mast (PN)

A (mm)	3700	4000	4300	4500	4700	5000	5500	6000	6500	7000
500	2000	1950	1900	1850	1850	1850	1200	850	850	1200
600	1810	1760	1720	1670	1670	1670	1080	770	770	1080
700	1650	1610	1570	1530	1530	1530	990	700	700	990
800	1520	1490	1450	1410	1410	1410	910	650	650	910
900	1410	1380	1340	1310	1310	1310	850	600	600	850
1000	1320	1280	1250	1220	1220	1220	790	560	560	790
1100	1230	1200	1170	1140	1140	1140	740	520	520	740
1200	1160	1130	1100	1070	1070	1070	690	490	490	690
1300	1090	1070	1040	1010	1010	1010	650	480	480	650

[] for dual tire models (PN or PSC).

FSV Mast (PSC)

A (mm)	5000	5500	6000
500	1600	1350	1000
600	1450	1220	900
700	1320	1120	820
800	1220	1030	760
900	1130	950	700
1000	1050	890	660
1100	990	830	610
1200	930	780	580
1300	870	740	540



MAST SPECIFICATIONS & RATED CAPACITIES

Mast Type	Maximum Fork Height	Overall Height			Free Lift		Single Tire		Dual Tire					
		Lowered	Extended		Without Load Backrest	With Standard Load Backrest	Tilt Range		Load Capacity at 500 mm LC		Tilt Range	Load Capacity at 500 mm LC		
			Without Load Backrest	With Standard Load Backrest			FWD	BWD	Pneumatic Tire	Pneumatic-Shaped Cushion Tire			FWD	BWD
Wide Visible Mast (V)	2700	1845	3370*	3920	145	145	6	11	2000	2000	6	11	2000	
	3000	1995	3670*	4220	145	145	6	11	2000	2000	6	11	2000	
	3300	2145	3970*	4520	145	145	6	11	2000	2000	6	11	2000	
	3500	2245	4170*	4720	145	145	6	11	2000	2000	6	11	2000	
	3700	2405	4370*	4920	145	145	6	11	2000	2000	6	11	2000	
	4000	2595	4670*	5220	145	145	6	11	2000	2000	6	11	2000	
	4500	2845	5170*	5720	145	145	6	6	1950	1950	6	6	1950	
Wide Visible Full-Free Lift Two-Stage Mast (FV)	3000	1995	3605	4220	1390	775	6	11	2000	2000	6	11	2000	
	3300	2145	3905	4520	1540	925	6	11	2000	2000	6	11	2000	
	3500	2245	4105	4720	1640	1025	6	11	2000	2000	6	11	2000	
	3700	2405	4305	4920	1800	1185	6	11	2000	2000	6	11	2000	
	4000	2595	4605	5220	1990	1375	6	11	2000	2000	6	11	2000	
	Wide Visible Full-Free Lift Three-Stage Mast (FV)	3700	1795	4265	4920	1230	575	6	6	2000	2000	6	6	2000
		4000	1895	4565	5220	1330	675	6	6	1950	1950	6	6	1950
4300		1995	4865	5520	1430	775	6	6	1900	1900	6	6	1950	
4500		2065	5065	5720	1500	845	6	6	1850	1850	6	6	1900	
4700		2145	5265	5920	1580	925	6	6	1850	1850	6	6	1900	
5000		2245	5565	6220	1680	1025	6	6	1450	1600	6	6	1850	
5500		2405	6065	6720	1840	1185	6	6	1200	1350	6	6	1800	
6000	2595	6565	7220	2030	1375	6	6	850	1000	6	6	1600		
6500	2845	7065	7720	2280	1625	—	—	—	—	6	6	1550		
7000	3095													

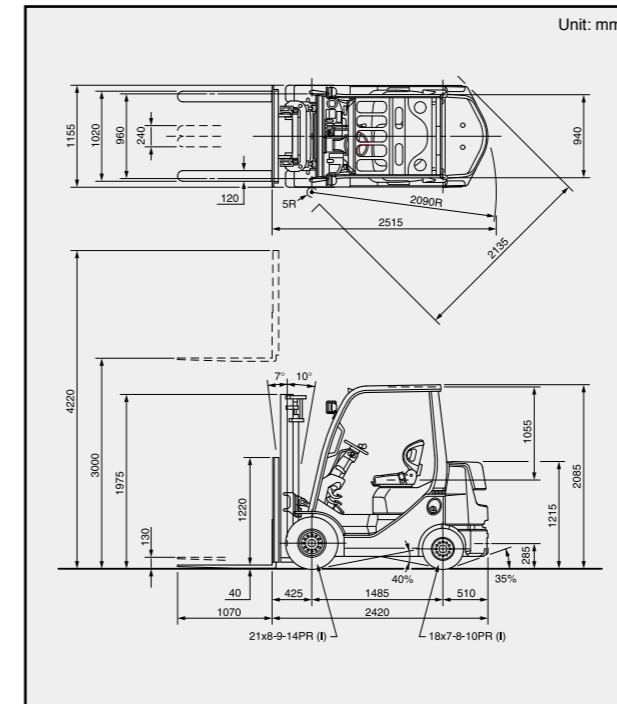
MAIN VEHICLE SPECIFICATIONS

Characteristics		TOYOTA		TOYOTA			
1	Manufacturer		TOYOTA		TOYOTA		1
2	Model		32-8FGK25		62-8FDK25		2
3	Load Capacity	kg	2500		2500		3
4	Load Center	mm	500		500		4
5	Power Type		Gasoline		Diesel		5
6	Operator Position		Rider Seated		Rider Seated		6
7	Tire Type	Front/Rear	Pneumatic		Pneumatic		7
8	Wheels (x = driven)	Front/Rear	2x/2		2x/2		8
Dimensions							
9	Maximum Fork Height (MFH)	mm	3000		3000		9
10	Free Lift	mm	130		130		10
13	Fork Size	T x W x L	40x120x1070		40x120x1070		13
	Fork Spread (Outside)	MAX./MIN.	1020/240		1020/240		
14	Tilt Range	FWD/BWD	7/10		7/10		14
15	Length to Fork Face	mm	2420		2420		15
16	Overall Width	mm	1155		1155		16
17	Mast Lowered Height	mm	1975		1975		17
18	Mast Extended Height	mm	4220		4220		18
19	Overhead Guard Height	mm	2085		2085		19
21	Turning Radius (Outside)	mm	2090		2090		21
22	Load Distance (Centerline of front axle to front face of forks)	mm	425 (430) **		425 (430) **		22
	Rear Overhang	mm	510		510		
23	Basic Right Angle Stacking Aisle Width (Add load length and clearance)	mm	2515		2515		23
Performance							
24	Travel, Max. (FWD/RVS)	Full Load	km/h	17.0/17.0		17.0/17.0	24
		No Load	km/h	17.5/17.5		17.5/17.5	
25	Speeds	Lifting	Full Load	mm/sec	600	580	25
			No Load	mm/sec	640	600	
26	Lowering	Full Load	mm/sec	500	500	26	
		No Load	mm/sec	500	500		
28	Max. Drawbar Pull	Full Load	N (kg)	18800 (1920)		19500 (1990)	28
		No Load	N (kg)	6800 (690)		7300 (740)	
	Max. Drawbar Pull at 1.5km/h *	Full Load	N (kg)	17200 (1750)		17500 (1780)	
29		Gradeability at 1.5 km/h *	Full Load	% (tanθ)	29		28
30	Max. Gradeability *	Full Load	% (tanθ)	32		32	30
		No Load	% (tanθ)	16		16	
Weight							
32	Total Weight	kg	3550		3610		32
33	Weight Distribution	Full Load	Front	kg	5240	5230	33
				Rear	kg	810	880
34	No Load	Front	kg	1100	1090	34	
			Rear	kg	2450	2520	
35	Tires	Number	Front/Rear		2/2	2/2	35
36	Size	Front		21x8-9-14PR (I)		21x8-9-14PR (I)	36
37			Rear		18x7-8-10PR (I)		18x7-8-10PR (I)
38	Wheelbase	mm	1485		1485		38
39	Tread	Front	mm	960	960	39	
			Rear	mm	940	940	
	Backrest Height	mm	1220		1220		
	Overhead Guard Clearance	mm	1055		1055		
	Counterweight Height	mm	1215		1215		
	Drawbar Pin Center Height	mm	285		285		
	Step Height/Floor Height	mm	380/615		380/615		
40	Underclearance	Min. <Mast>	mm	80	80	40	
41	(Full Load)	Center of Wheelbase	mm	105	105	41	
		Grade Clearance	Frame/Counterweight	% (tanθ)	40/35	40/35	
42	Brake	Service (Foot)		Hydraulic	Hydraulic	42	
		Parking		Foot	Foot	43	
45	Battery	Voltage/Capacity (5HR)	V/AH	12/27	12/55	45	
49	Internal Combustion Engine	Make/Model		TOYOTA/4Y	TOYOTA/1DZ-II ***	49	
50			Rated Power/r.p.m.	kW (JIS ps)	40/2400 (54/2400)	40/2400 (55/2400)	50
51	Rated Torque/r.p.m.	N-m (JIS kg-m)		162/1800 (16.5/1800)	167/1600 (17.0/1600)	51	
52			Number of Cylinder		4	4	
	Piston Displacement	cc		2237	2486	52	
	Fuel Tank Capacity	liter		55	55		
55	Transmission	Type		Powershift	Powershift	55	
			Stage		1/1	1/1	
57	Operating Pressure	For Attachments	Mpa (kg/cm ²)	15.7 (160)	15.7 (160)	57	

NOTE: * Computed values.
 ** Number shown in () is when the forkbar width is other than 1020 mm.
 ***1DZ-II: Non-road Mobile Machinery (97/68/EC; Stage II) EPA Non-road Diesel Emissions (40 CFR Part 89; Interim Tier 2).

The data in this publication was determined based on our standard testing condition.
 Operating performance may vary depending on the actual specification and condition of the vehicle as well as the condition of the operating area.

DIMENSIONAL DRAWINGS



UNDERCLEARANCE mm

Mast (Full Load)	80
Drive Axle (Full Load)	85
Steer Axle (No Load)	130
Center of Wheelbase (Full Load)	105
Counterweight (No Load)	125

RATED CAPACITIES

Unit: kg (W)

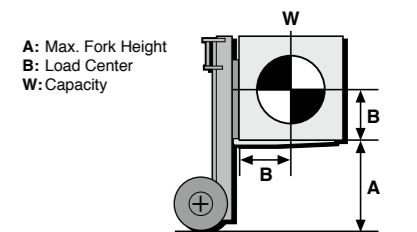
V, FV Mast (PN)					V, FV Mast (PSC)				
A (mm)	4000	4500	5000		A (mm)	4000	4500	5000	
500	2500	2150	1700		500	2500	2300	1850	
600	2260	1940	1530		600	2260	2080	1670	
700	2060	1770	1400		700	2060	1900	1520	
800	1900	1630	1290		800	1900	1740	1400	
900	1750	1510	1190		900	1750	1610	1300	
1000	1630	1400	1110		1000	1630	1500	1210	
1100	1530	1310	1040		1100	1530	1400	1130	
1200	1430	1230	970		1200	1430	1320	1060	

FSV Mast (PN)

A (mm)	4000	4300	4500	4700	5000	5500	6000
500	2500	2300	2000	2000	1500	1250	850
600	2260	2080	1810	1810	1350	1130	770
700	2070	1900	1650	1650	1240	1030	700
800	1900	1750	1520	1520	1140	950	640
900	1770	1620	1410	1410	1060	880	600
1000	1640	1510	1310	1310	980	820	560
1100	1540	1420	1230	1230	920	770	520
1200	1450	1330	1160	1160	870	720	490

FSV Mast (PSC)

A (mm)	4000	4300	4500	4700	5000	5500	6000
500	2500	2450	2150	2150	1650	1400	1000
600	2260	2220	1940	1940	1490	1260	900
700	2070	2030	1780	1780	1360	1160	820
800	1900	1870	1640	1640	1260	1060	760
900	1770	1730	1520	1520	1160	990	700
1000	1640	1610	1410	1410	1080	920	650
1100	1540	1510	1320	1320	1010	860	610
1200	1450	1420	1240	1240	950	810	580



MAST SPECIFICATIONS & RATED CAPACITIES

Mast Type	Maximum Fork Height	Overall Height				Free Lift		Single Tire			
		Lowered	Extended		Without Load Backrest	With Standard Load Backrest	Tilt Range		Load Capacity at 500 mm LC		
			Without Load Backrest	With Standard Load Backrest			FWD	BWD	Pneumatic Tire	Pneumatic-Shaped Cushion Tire	
Wide Visible Mast (V)	mm	mm	mm	mm	mm	mm	deg	deg	kg	kg	
	2700	1825	3375	3920	125	125	7	10	2500	2500	
	3000	1975	3675	4220	125	125	7	10	2500	2500	
	3300	2125	3975	4520	125	125	7	10	2500	2500	
	3500	2225	4175	4720	125	125	7	10	2500	2500	
	3700	2385	4375	4920	125	125	7	10	2500	2500	
Wide Visible Full-Free Lift Two-Stage Mast (FV)	3000	1975	3610	4220	1370	765	7	10	2500	2500	
	3300	2125	3910	4520	1520	915	7	10	2500	2500	
	3500	2225	4110	4720	1620	1015	7	10	2500	2500	
	3700	2385	4310	4920	1780	1175	7	10	2500	2500	
	4000	2575	4610	5220	1970	1365	7	5	2500	2500	
	3700	1775	4350	4920	1130	565	7	5	2500	2500	
Wide Visible Full-Free Lift Three-Stage Mast (FSV)	4000	1875	4650	5220	1230	665	7	5	2500	2500	
	4300	1975	4950	5520	1330	765	7	5	2300	2450	
	4500	2045	5150	5720	1400	835	7	5	2000	2150	
	4700	2125	5350	5920	1480	915	7	5	2000	2150	
	5000	2225	5650	6220	1580	1015	7	5	1500	1650	
	5500	2385	6150	6720	1740	1175	7	5	1250	1400	
6000	2575	6650	7220	1930	1365	7	5	850	1000		

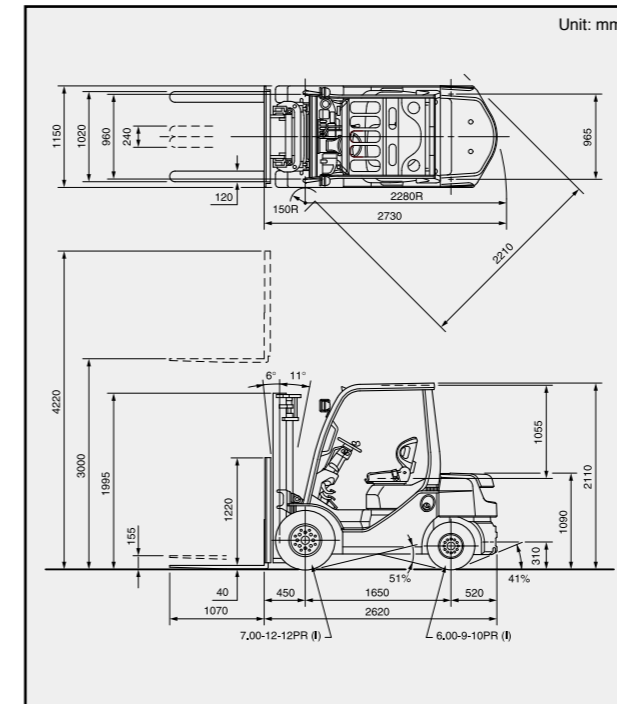
NOTE: Height of standard load backrest is 1220 mm.

MAIN VEHICLE SPECIFICATIONS

		TOYOTA		TOYOTA		TOYOTA					
		30-8FG25	32-8FG25	60-8FD25	62-8FD25	70-8FD25	72-8FD25				
1	Manufacturer							1			
2	Model							2			
3	Load Capacity	kg						3			
4	Load Center	mm						4			
5	Power Type	Gasoline						5			
6	Operator Position	Rider Seated						6			
7	Tire Type	Front/Rear						7			
8	Wheels (x = driven)	Front/Rear						8			
9	Maximum Fork Height (MFH)	mm						9			
10	Free Lift	mm						10			
13	Fork Size	T x W x L						13			
	Fork Spread (Outside)	MAX./MIN.									
14	Tilt Range	FWD/BWD						14			
15	Length to Fork Face	mm						15			
16	Overall Width	mm						16			
17	Mast Lowered Height	mm						17			
18	Mast Extended Height	mm						18			
19	Overhead Guard Height	mm						19			
21	Turning Radius (Outside)	mm						21			
22	Load Distance (Centerline of front axle to front face of forks)	mm						22			
	Rear Overhang	mm									
23	Basic Right Angle Stacking Aisle Width (Add load length and clearance)	mm						23			
24	Travel, Max. (FWD/RVS)	Full Load	km/h	18.0/18.0	17.5/17.5	19.5/19.5	19.0/19.0	19.0/19.0	24		
		No Load	km/h	18.5/18.5	18.0/18.0	20.0/20.0	19.5/19.5	19.5/19.5			
25	Speeds	Lifting	Full Load	mm/sec	600	600	615	615	650	650	25
		No Load	mm/sec	640	640	655	655	675	675		
26	Lowering	Full Load	mm/sec	500	500	500	500	500	500	500	26
		No Load	mm/sec	500	500	500	500	500	500		
28	Max. Drawbar Pull	Full Load	N (kg)	16500 (1680)	18500 (1890)	17500 (1780)	19000 (1940)	19500 (1990)	20000 (2040)	28	
		No Load	N (kg)	8600 (880)	8500 (870)	8700 (890)	8700 (890)	8800 (900)	8800 (900)		
	Max. Drawbar Pull at 1.5km/h *	Full Load	N (kg)	—	17000 (1730)	—	17200 (1750)	—	17500 (1780)		
29	Gradeability at 1.5 km/h *	Full Load	% (tanθ)	—	30	—	31	—	29	29	
30	Max. Gradeability *	Full Load	% (tanθ)	28	34	28	34	33	32	30	
		No Load	% (tanθ)	19	19	19	19	19	19		
32	Total Weight	kg						32			
33	Weight Distribution	Full Load	Front	kg	5280	5300	5320	33			
		Rear	kg	780	800	830					
34	No Load	Front	kg	1300	1320	1340	34				
		Rear	kg	2260	2280	2310					
35	Tires	Number	Front/Rear	2/2						35	
		Size	Front	7.00-12-12PR (I)						36	
37		Rear	6.00-9-10PR (I)						37		
38	Wheelbase	mm						38			
39	Tread	Front	mm						39		
		Rear	mm								
	Backrest Height	mm									
	Overhead Guard Clearance	mm									
	Counterweight Height	mm									
	Drawbar Pin Center Height	mm									
	Step Height/Floor Height	mm									
40	Underclearance	mm						40			
41	(Full Load)	mm						41			
	Grade Clearance	% (tanθ)									
42	Brake	Hydraulic						42			
43	Parking	Hand / Foot						43			
45	Battery	Voltage/Capacity (5HR)						45			
49		Make/Model						49			
50		Rated Power/r.p.m.						50			
51	Internal Combustion Engine	Rated Torque/r.p.m.						51			
		Number of Cylinder									
52		Piston Displacement						52			
		Fuel Tank Capacity									
55	Transmission	Type	Manual / Powershift						55		
		Stage	FWD/RVS								
57	Operating Pressure	Mpa (kg/cm ²)						57			

NOTE: * Computed values.
 ** Number shown in () is when the forkbar width is other than 1020 mm.
 *** 1DZ-II: Non-road Mobile Machinery (97/68/EC; Stage II) EPA Non-road Diesel Emissions (40 CFR Part 89; Interim Tier 2).
 1DZ-III: Non-road Mobile Machinery (97/68/EC; Stage IIIA) EPA Non-road Diesel Emissions (40 CFR Part 1039; Interim Tier 4).
 **** 2Z: Non-road Mobile Machinery (97/68/EC; Stage II).

DIMENSIONAL DRAWINGS



SPECIAL TREAD

Front Tire Single/Dual	Single	Dual	Dual
Front Tire Size	7.00-12-12PR (I)	5.50-15-8PR (I)	7.00-12-12PR (I)
Overall Width	mm 1150	1450	1610
Tread, Front	mm 960	1105	1190

UNDERCLEARANCE mm

Mast (Full Load)	95
Drive Axle (Full Load)	130
Steer Axle (No Load)	160
Center of Wheelbase (Full Load)	140
Counterweight (No Load)	150

MAST SPECIFICATIONS & RATED CAPACITIES

Mast Type	Maximum Fork Height	Overall Height			Free Lift		Tilt Range		Single Tire		Dual Tire		
		Lowered	Extended		Without Load Backrest	With Standard Load Backrest	Tilt Range		Load Capacity at 500 mm LC		Load Capacity at 500 mm LC		
			Without Load Backrest	With Standard Load Backrest			FWD	BWD	Pneumatic Tire	Pneumatic-Shaped Cushion Tire	FWD	BWD	Pneumatic/Tire- Pneumatic-Shaped Cushion Tire
Wide Visible Mast (V)	2700	1845	3370*	3920	150	150	6	11	2500	2500	6	11	2500
	3000	1995	3670*	4220	150	150	6	11	2500	2500	6	11	2500
	3300	2145	3970*	4520	150	150	6	11	2500	2500	6	11	2500
	3500	2245	4170*	4720	150	150	6	11	2500	2500	6	11	2500
	3700	2405	4370*	4920	150	150	6	11	2500	2500	6	11	2500
Wide Visible Full-Free Lift Mast (FV)	4000	2595	4670*	5220	150	150	6	9	2500	2500	6	11	2500
	4500	2845	5170*	5720	150	150	6	9	2150	2300	6	11	2450
	5000	3095	5670*	6220	150	150	6	9	1700	1850	6	11	2400
	3000	1995	3605	4220	1400	780	6	11	2500	2500	6	11	2500
	3300	2145	3905	4520	1550	930	6	11	2500	2500	6	11	2500
Wide Visible Full-Free Lift Three-Stage Mast (FSV)	3500	2245	4105	4720	1650	1030	6	11	2500	2500	6	11	2500
	3700	2405	4305	4920	1810	1190	6	11	2500	2500	6	11	2500
	4000	2595	4605	5220	2000	1380	6	9	2500	2500	6	11	2500
	3700	1795	4265	4920	1235	580	6	6	2500	2500	6	6	2500
	4000	1895	4565	5220	1335	680	6	6	2500	2500	6	6	2500
	4300	1995	4865	5520	1435	780	6	6	2300	2300	6	6	2500
	4500	2065	5065	5720	1505	850	6	6	2000	2000	6	6	2450
	4700	2145	5265	5920	1585	930	6	6	2000	2000	6	6	2450
	5000	2245	5565	6220	1685	1030	6	6	1500	1650	6	6	2400
	5500	2405	6065	6720	1845	1190	6	6	1250	1400	6	6	2050
6000	2595	6565	7220	2035	1380	6	6	900	1050	6	6	1700	
6500	2845	7065	7720	2285	1630	—	—	—	—	6	6	1550	
7000	3095	7565	8220	2535	1880	—	—	—	—	6	6	1200	

NOTE: Height of standard load backrest is 1220 mm.
 * with A4 pipping, minus 15 mm.

RATED CAPACITIES

Unit: kg (W)

V, FV Mast (PN)				V, FV Mast (PSC)			
A (mm)	4000	4500	5000	A (mm)	4000	4500	5000
500	2500	2150 [2450]	1700 [2400]	500	2500	2300 [2450]	1850 [2400]
600	2260	1940 [2210]	1540 [2170]	600	2260	1940 [2210]	1540 [2170]
700	2070	1780 [2020]	1400 [1980]	700	2070	1780 [2020]	1400 [1980]
800	1900	1640 [1860]	1290 [1830]	800	1900	1640 [1860]	1290 [1830]
900	1760	1510 [1730]	1200 [1690]	900	1760	1510 [1730]	1200 [1690]
1000	1640	1410 [1610]	1110 [1580]	1000	1640	1410 [1610]	1110 [1580]
1100	1540	1320 [1510]	1040 [1470]	1100	1540	1320 [1510]	1040 [1470]
1200	1440	1240 [1410]	980 [1390]	1200	1440	1240 [1410]	980 [1390]
1300	1360	1170 [1330]	920 [1310]	1300	1360	1170 [1330]	920 [1310]

[] for dual tire models.

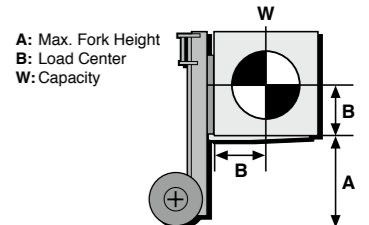
FSV Mast (PN)

A (mm)	4000	4300	4500	4700	5000	5500	6000	6500	7000
500	2500	2300 [2500]	2000 [2450]	2000 [2450]	1500 [2400]	1250 [2050]	900 [1700]	— [1550]	— [1200]
600	2260	2080 [2260]	1810 [2220]	1810 [2220]	1360 [2170]	1130 [1860]	810 [1540]	— [1400]	— [1080]
700	2070	1910 [2070]	1660 [2030]	1660 [2030]	1240 [1990]	1030 [1700]	740 [1410]	— [1280]	— [990]
800	1910	1760 [1910]	1530 [1870]	1530 [1870]	1140 [1830]	950 [1560]	680 [1300]	— [1180]	— [910]
900	1770	1630 [1770]	1420 [1730]	1420 [1730]	1060 [1700]	880 [1450]	630 [1200]	— [1100]	— [850]
1000	1650	1520 [1650]	1320 [1620]	1320 [1620]	990 [1580]	820 [1350]	590 [1120]	— [1020]	— [790]
1100	1550	1420 [1550]	1240 [1510]	1240 [1510]	930 [1480]	770 [1270]	550 [1050]	— [960]	— [740]
1200	1450	1340 [1450]	1160 [1420]	1160 [1420]	870 [1400]	720 [1190]	520 [990]	— [900]	— [700]
1300	1370	1260 [1370]	1100 [1340]	1100 [1340]	820 [1320]	680 [1120]	490 [930]	— [850]	— [660]

[] for dual tire models (PN or PSC).

FSV Mast (PSC)

A (mm)	5000	5500	6000
500	1650	1400	1050
600	1490	1270	950
700	1370	1160	870
800	1260	1070	800
900	1170	990	740
1000	1090	920	690
1100	1020	860	650
1200	960	810	610
1300	900	770	570



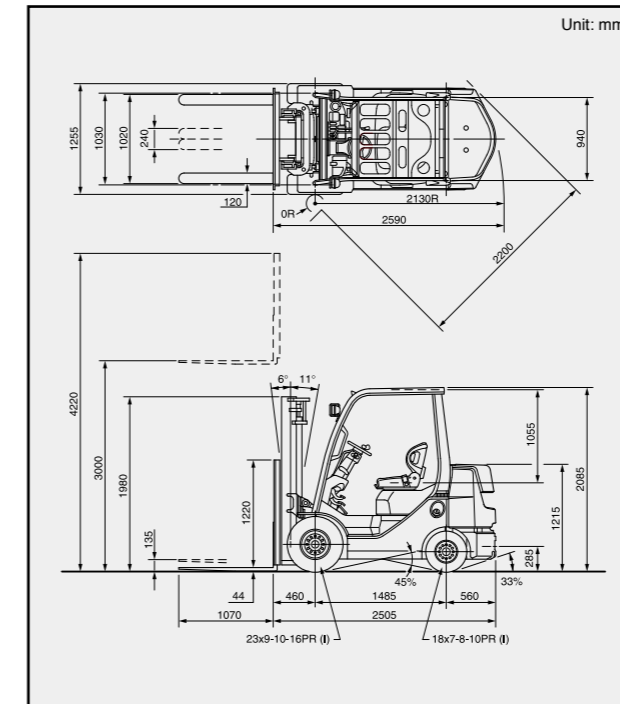
MAIN VEHICLE SPECIFICATIONS

Characteristics		TOYOTA		TOYOTA			
1	Manufacturer		TOYOTA		TOYOTA		1
2	Model		32-8FGK30		62-8FDK30		2
3	Load Capacity	kg	3000		3000		3
4	Load Center	mm	500		500		4
5	Power Type		Gasoline		Diesel		5
6	Operator Position		Rider Seated		Rider Seated		6
7	Tire Type	Front/Rear	Pneumatic		Pneumatic		7
8	Wheels (x = driven)	Front/Rear	2x/2		2x/2		8
Dimensions							
9	Maximum Fork Height (MFH)	mm	3000		3000		9
10	Free Lift	mm	135		135		10
13	Fork Size	T x W x L	44x120x1070		44x120x1070		13
	Fork Spread (Outside)	MAX./MIN.	1020/240		1020/240		
14	Tilt Range	FWD/BWD	6/11		6/11		14
15	Length to Fork Face	mm	2505		2505		15
16	Overall Width	mm	1255		1255		16
17	Mast Lowered Height	mm	1980		1980		17
18	Mast Extended Height	mm	4220		4220		18
19	Overhead Guard Height	mm	2085		2085		19
21	Turning Radius (Outside)	mm	2130		2130		21
22	Load Distance (Centerline of front axle to front face of forks)	mm	460		460		22
	Rear Overhang	mm	560		560		
23	Basic Right Angle Stacking Aisle Width (Add load length and clearance)	mm	2590		2590		23
Performance							
24	Travel, Max. (FWD/RVS)	Full Load	km/h	18.5/18.5		18.5/18.5	24
		No Load	km/h	19.0/19.0		19.0/19.0	
25	Speeds	Lifting	Full Load	mm/sec	490	500	25
			No Load	mm/sec	530	530	
26	Lowering	Full Load	mm/sec	500	500		26
			No Load	mm/sec	500	500	
28	Max. Drawbar Pull	Full Load	N (kg)	17000 (1730)		17500 (1780)	28
			No Load	N (kg)	7300 (740)		7300 (740)
	Max. Drawbar Pull at 1.5km/h *	Full Load	N (kg)	15600 (1590)		15500 (1580)	
29	Gradeability at 1.5 km/h *	Full Load	% (tanθ)	24		24	29
30	Max. Gradeability *	Full Load	% (tanθ)	24		24	30
			No Load	% (tanθ)	14		14
Weight							
32	Total Weight	kg	4150		4200		32
33	Weight Distribution	Full Load	Front	kg	6240	6330	33
				Rear	kg	910	870
34	No Load	Front	kg	1200	1290		34
			Rear	kg	2950	2910	
35	Tires	Number	Front/Rear	2/2		2/2	35
		Size	Front	23x9-10-16PR (I)		23x9-10-16PR (I)	36
			Rear	18x7-8-16PR (I)		18x7-8-16PR (I)	37
38	Wheelbase	mm	1485		1485		38
39	Tread	Front	mm	1030		1030	39
			Rear	mm	940		940
	Backrest Height	mm	1220		1220		
	Overhead Guard Clearance	mm	1055		1055		
	Counterweight Height	mm	1215		1215		
	Drawbar Pin Center Height	mm	285		285		
	Step Height/Floor Height	mm	400/640		400/640		
40	Underclearance	Min. <Mast>	mm	80		80	40
41	(Full Load)	Center of Wheelbase	mm	110		110	41
	Grade Clearance	Frame/Counterweight	% (tanθ)	45/33		45/33	
42	Brake	Service (Foot)		Hydraulic		Hydraulic	42
			Parking		Foot		Foot
Drive Unit and Control							
45	Battery	Voltage/Capacity (5HR)	V/AH	12/27		12/55	45
49	Internal Combustion Engine	Make/Model		TOYOTA/4Y		TOYOTA/1DZ-II **	49
50			Rated Power/r.p.m.	kW (JIS ps)	40/2400 (54/2400)		40/2400 (55/2400)
51	Fuel Tank Capacity	Rated Torque/r.p.m.	N-m (JIS kg-m)	162/1800 (16.5/1800)		167/1600 (17.0/1600)	51
52			Number of Cylinder		4		4
		Piston Displacement	cc	2237		2486	
		Fuel Tank Capacity	liter	55		55	
55	Transmission	Type		Powershift		Powershift	55
			Stage	FWD/RVS	1/1		1/1
57	Operating Pressure	For Attachments	Mpa (kg/cm ²)	15.7 (160)		15.7 (160)	57

NOTE: * Computed values.
 ** 1DZ-II: Non-road Mobile Machinery (97/68/EC; Stage II) EPA Non-road Diesel Emissions (40 CFR Part 89; Interim Tier 2).

The data in this publication was determined based on our standard testing condition.
 Operating performance may vary depending on the actual specification and condition of the vehicle as well as the condition of the operating area.

DIMENSIONAL DRAWINGS



UNDERCLEARANCE mm

Mast (Full Load)	80
Drive Axle (Full Load)	90
Steer Axle (No Load)	130
Center of Wheelbase (Full Load)	110
Counterweight (No Load)	125

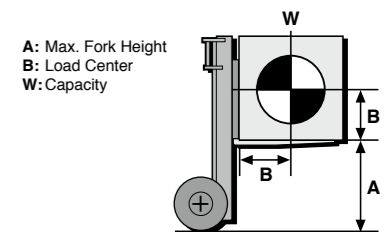
RATED CAPACITIES

Unit: kg (W)

V, FV Mast (PN)			V, FV Mast (PSC)		
A (mm)	4500	5000	A (mm)	4500	5000
500	3000	2600	500	3000	2750
600	2720	2350	600	2720	2490
700	2480	2150	700	2480	2280
800	2290	1980	800	2290	2100
900	2120	1840	900	2120	1950
1000	1980	1710	1000	1980	1810
1100	1850	1600	1100	1850	1700
1200	1740	1510	1200	1740	1600

FSV Mast (PN)							
A (mm)	4000	4300	4500	4700	5000	5500	6000
500	3000	2900	2800	2800	2400	1700	1200
600	2720	2630	2540	2540	2170	1540	1080
700	2490	2410	2320	2320	1990	1410	990
800	2300	2220	2140	2140	1840	1300	920
900	2130	2060	1990	1990	1700	1210	850
1000	1990	1920	1860	1860	1590	1120	790
1100	1860	1800	1740	1740	1490	1050	740
1200	1750	1690	1640	1640	1400	990	700

FSV Mast (PSC)						
A (mm)	4300	4500	4700	5000	5500	6000
500	3000	2850	2850	2550	1850	1350
600	2720	2580	2580	2310	1680	1220
700	2490	2370	2370	2120	1530	1120
800	2300	2180	2180	1950	1410	1030
900	2130	2020	2020	1810	1310	960
1000	1990	1890	1890	1690	1220	890
1100	1860	1770	1770	1580	1150	840
1200	1750	1660	1660	1490	1080	790



MAST SPECIFICATIONS & RATED CAPACITIES

Mast Type	Maximum Fork Height	Overall Height			Free Lift		Single Tire			
		Lowered	Extended		Without Load Backrest	With Standard Load Backrest	Tilt Range		Load Capacity at 500 mm LC	
			Without Load Backrest	With Standard Load Backrest			FWD	BWD	Pneumatic Tire	Pneumatic-Shaped Cushion Tire
Wide Visible Mast (V)	2700	1830	3405*	3920	135	135	6	11	3000	3000
	3000	1980	3705*	4220	135	135	6	11	3000	3000
	3300	2130	4005*	4520	135	135	6	11	3000	3000
	3500	2230	4205*	4720	135	135	6	11	3000	3000
	3700	2390	4405*	4920	135	135	6	11	3000	3000
Wide Visible Full-Free Lift Two-Stage Mast (FV)	4000	2580	4705*	5220	135	135	6	11	3000	3000
	4500	2830	5205*	5720	135	135	6	6	3000	3000
	5000	3080	5705*	6220	135	135	6	6	2800	2750
	3000	1980	3585	4220	1400	760	6	11	3000	3000
	3300	2130	3885	4520	1550	955	6	11	3000	3000
Wide Visible Full-Free Lift Three-Stage Mast (FSV)	3500	2230	4085	4720	1650	1055	6	11	3000	3000
	3700	2390	4285	4920	1810	1215	6	11	3000	3000
	4000	2580	4585	5220	2000	1405	6	11	3000	3000
	3700	1880	4285	4920	1300	660	6	6	3000	3000
	4000	1980	4585	5220	1400	760	6	6	3000	3000
	4300	2130	4885	5520	1550	910	6	6	2900	3000
	4500	2180	5085	5720	1600	960	6	6	2800	2850
	4700	2230	5285	5920	1650	1010	6	6	2800	2850
	5000	2390	5585	6220	1810	1170	6	6	2400	2550
	5500	2580	6085	6720	2000	1360	6	6	1700	1850
6000	2830	6585	7220	2250	1610	6	6	1200	1350	

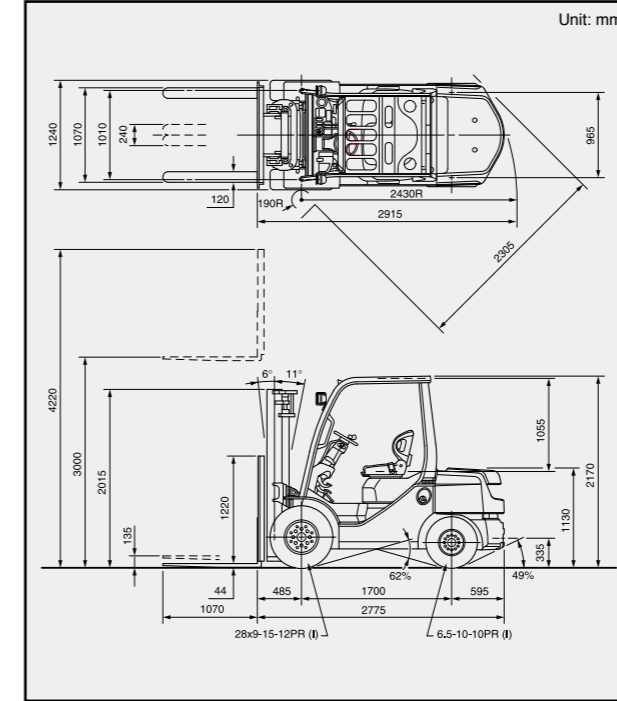
NOTE: Height of standard load backrest is 1220 mm.
 * with A4 piping, minus 20 mm.

MAIN VEHICLE SPECIFICATIONS

Characteristics		TOYOTA		TOYOTA		TOYOTA					
1		30-8FG30		60-8FD30		70-8FD30		1			
2		32-8FG30		62-8FD30		72-8FD30		2			
3		Load Capacity	kg	3000		3000		3			
4		Load Center	mm	500		500		4			
5		Power Type		Gasoline		Diesel		5			
6		Operator Position		Rider Seated		Rider Seated		6			
7		Tire Type	Front/Rear	Pneumatic		Pneumatic		7			
8		Wheels (x = driven)	Front/Rear	2x/2		2x/2		8			
9		Maximum Fork Height (MFH)	mm	3000		3000		9			
10		Free Lift	mm	135		135		10			
13		Fork Size	T x W x L	44x120x1070		44x120x1070		13			
14		Fork Spread (Outside)	MAX./MIN.	1070/240		1070/240					
15		Tilt Range	FWD/BWD	deg		deg		14			
16		Length to Fork Face	mm	2775		2775		15			
17		Overall Width	mm	1240		1240		16			
18		Mast Lowered Height	mm	2015		2015		17			
19		Mast Extended Height	mm	4220		4220		18			
20		Overhead Guard Height	mm	2170		2170		19			
21		Turning Radius (Outside)	mm	2430		2430		21			
22		Load Distance (Centerline of front axle to front face of forks)	mm	485		485		22			
23		Rear Overhang	mm	595		595					
23		Basic Right Angle Stacking Aisle Width (Add load length and clearance)	mm	2915		2915		23			
24		Travel, Max. (FWD/RVS)	Full Load	km/h	18.5/18.5	18.5/18.5	19.5/19.5	17.5/17.5	19.5/19.5	18.5/18.5	24
24			No Load	km/h	19.0/19.0	19.0/19.0	20.0/20.0	18.0/18.0	20.0/20.0	19.0/19.0	
25		Lifting	Full Load	mm/sec	510	510	500	500	550	550	25
25			No Load	mm/sec	550	550	530	530	570	570	
26		Lowering	Full Load	mm/sec	500	500	500	500	500	500	26
26			No Load	mm/sec	500	550	500	500	500	500	
28		Max. Drawbar Pull	Full Load	N (kg)	16800 (1710)	18000 (1840)	16700 (1700)	19600 (2000)	19700 (2010)	19500 (1990)	28
28			No Load	N (kg)	10300 (1050)	10300 (1050)	10400 (1060)	10400 (1060)	10600 (1080)	10600 (1080)	
29		Max. Drawbar Pull at 1.5km/h *	Full Load	N (kg)	—	15300 (1560)	—	17600 (1790)	—	17000 (1730)	
29		Gradeability at 1.5 km/h *	Full Load	% (tanθ)	—	22	—	25	—	24	29
30		Max. Gradeability *	Full Load	% (tanθ)	23	25	23	28	27	27	30
30			No Load	% (tanθ)	20	20	20	20	20	20	
32		Total Weight	kg	4190		4230		4290			32
33		Weight Distribution	Full Load	Front	kg	6210	6240	6270			33
33				Rear	kg	980	990	1020			
34		No Load	Front	kg	1470	1510	1530				34
34			Rear	kg	2720	2720	2760				
35		Tires	Number	Front/Rear	2/2		2/2		2/2		35
36		Size	Front		28x9-15-12PR (I)		28x9-15-12PR (I)		28x9-15-12PR (I)		36
37			Rear		6.5-10-10PR (I)		6.5-10-10PR (I)		6.5-10-10PR (I)		37
38		Wheelbase	mm	1700		1700		1700			38
39		Tread	Front	mm	1010		1010		1010		39
39			Rear	mm	965		965		965		
40		Backrest Height	mm	1220		1220		1220			
41		Overhead Guard Clearance	mm	1055		1055		1055			
42		Counterweight Height	mm	1130		1130		1130			
43		Drawbar Pin Center Height	mm	335		335		335			
44		Step Height/Floor Height	mm	495/730		495/730		495/730			
40		Underclearance	Min. <Mast>	mm	115		115		115		40
41		(Full Load)	Center of Wheelbase	mm	185		185		185		41
42		Grade Clearance	Frame/Counterweight	% (tanθ)	62/49		62/49		62/49		
43		Brake	Service (Foot)		Hydraulic		Hydraulic		Hydraulic		43
44		Parking			Hand		Foot		Hand		44
45		Battery	Voltage/Capacity (5HR)	V/AH	12/27		12/55		12/64		45
49			Make/Model		TOYOTA/4Y		TOYOTA/1DZ-II [1DZ-III] **		TOYOTA/2Z ***		49
50			Rated Power/r.p.m.	kW (JIS ps)	43/2600 (58/2600)		44 (60)/2600 [41 (55)/2500]		49/2200 (66/2200)		50
51			Rated Torque/r.p.m.	N-m (JIS kg-m)	162/1800 (16.5/1800)		167 (17.0)/1600 [157 (16.0)/2500]		216/1600 (22.0/1600)		51
52			Number of Cylinder		4		4		4		52
53			Piston Displacement	cc	2237		2486		3469		53
54			Fuel Tank Capacity	liter	60		60		60		54
55		Transmission	Type		Manual		Powershift		Manual		55
55			Stage	FWD/RVS	2/2		1/1		2/2		1/1
57		Operating Pressure	For Attachments	Mpa (kg/cm²)	15.7 (160)		15.7 (160)		15.7 (160)		57

NOTE: * Computed values.
 ** 1DZ-II: Non-road Mobile Machinery (97/68/EC; Stage II) EPA Non-road Diesel Emissions (40 CFR Part 89; Interim Tier 2).
 1DZ-III: Non-road Mobile Machinery (97/68/EC; Stage IIIA) EPA Non-road Diesel Emissions (40 CFR Part 1039; Interim Tier 4).
 *** 2Z: Non-road Mobile Machinery (97/68/EC; Stage I).
 The data in this publication was determined based on our standard testing condition. Operating performance may vary depending on the actual specification and condition of the vehicle as well as the condition of the operating area.

DIMENSIONAL DRAWINGS



SPECIAL TREAD

Front Tire Single/Dual	Dual	Dual
Front Tire Size	6.00-15-10PR (I)	28x8-15-12PR (I)
Overall Width	mm 1520	1675
Tread, Front	mm 1150	1240

UNDERCLEARANCE mm

Mast (Full Load)	115
Drive Axle (Full Load)	130
Steer Axle (No Load)	180
Center of Wheelbase (Full Load)	185
Counterweight (No Load)	175

RATED CAPACITIES

Unit: kg (W)

V, FV Mast (PN)			V, FV Mast (PSC)		
A (mm)	4500	5000	A (mm)	4500	5000
500	3000	2600 [3000]	500	3000	2750 [3000]
600	2720	2360 [2720]	600	2720	2500 [2720]
700	2500	2160 [2500]	700	2500	2290 [2500]
800	2310	2000 [2310]	800	2310	2110 [2310]
900	2140	1850 [2140]	900	2140	1960 [2140]
1000	2000	1730 [2000]	1000	2000	1830 [2000]
1100	1870	1620 [1870]	1100	1870	1720 [1870]
1200	1760	1530 [1760]	1200	1760	1620 [1760]
1300	1670	1440 [1670]	1300	1670	1530 [1670]

[] for dual tire models. [] for dual tire models.

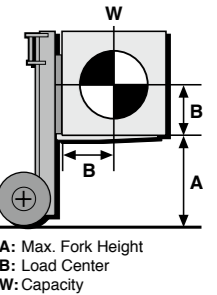
FSV Mast (PN)

A (mm)	4700	5000	5500	6000	6500	7000
500	3000	2600 [2950]	1900 [2650]	1500 [2050]	—	[1200]
600	2730	2360 [2680]	1730 [2410]	1360 [1860]	[1450]	[1090]
700	2500	2170 [2460]	1580 [2210]	1250 [1710]	[1330]	[1000]
800	2310	2000 [2270]	1460 [2040]	1150 [1580]	[1230]	[920]
900	2150	1860 [2110]	1360 [1900]	1070 [1470]	[1140]	[860]
1000	2010	1740 [1970]	1270 [1770]	1000 [1370]	[1070]	[800]
1100	1880	1630 [1850]	1190 [1660]	940 [1290]	[1000]	[750]
1200	1770	1540 [1740]	1120 [1570]	880 [1210]	[940]	[710]
1300	1680	1450 [1650]	1060 [1480]	840 [1140]	—	[670]

[] for dual tire models (PN or PSC).

FSV Mast (PSC)

A (mm)	4700	5000	5500	6000
500	3000	2750	2050	1650
600	2730	2500	1860	1500
700	2500	2290	1710	1370
800	2310	2120	1580	1270
900	2150	1970	1470	1180
1000	2010	1840	1370	1100
1100	1880	1730	1290	1030
1200	1770	1630	1210	970
1300	1680	1540	1140	920



MAST SPECIFICATIONS & RATED CAPACITIES

Mast Type	Maximum Fork Height	Overall Height			Free Lift		Tilt Range		Single Tire		Dual Tire		
		Lowered	Extended		Without Load Backrest	With Standard Load Backrest	FWD	BWD	Load Capacity at 500 mm LC		Tilt Range		
			Without Load Backrest	With Standard Load Backrest					Pneumatic Tire	Pneumatic-Shaped Cushion Tire	FWD	BWD	Pneumatic-Tire/Pneumatic-Shaped Cushion Tire
		mm	mm	mm	mm	mm	deg	deg	kg	kg	deg	deg	kg
Wide Visible Mast	2700	1865	3440*	3920	135	135	6	11	3000	3000	6	11	3000
	3000	2015	3740*	4220	135	135	6	11	3000	3000	6	11	3000
	3300	2165	4040*	4520	135	135	6	11	3000	3000	6	11	3000
	3500	2265	4240*	4720	135	135	6	11	3000	3000	6	11	3000
	3700	2425	4440*	4920	135	135	6	11	3000	3000	6	11	3000
Wide Visible Full-Free Lift Two-Stage Mast (FV)	4000	2615	4740*	5220	135	135	6	11	3000	3000	6	11	3000
	4500	2865	5240*	5720	135	135	6	6	3000	3000	6	6	3000
	5000	3115	5740*	6220	135	135	6	6	2600	2750	6	11	3000
	3000	2015	3615	4220	1400	795	6	11	3000	3000	6	11	3000
	3300	2165	3915	4520	1550	945	6	11	3000	3000	6	11	3000
Wide Visible Full-Free Lift Three-Stage Mast (FSV)	3500	2265	4115	4720	1650	1045	6	11	3000	3000	6	11	3000
	3700	2425	4315	4920	1810	1205	6	11	3000	3000	6	11	3000
	4000	2615	4615	5220	2000	1395	6	11	3000	3000	6	11	3000
	3700	1915	4315	4920	1300	695	6	6	3000	3000	6	6	3000
	4000	2015	4615	5220	1400	795	6	6	3000	3000	6	6	3000
	4300	2165	4915	5520	1550	945	6	6	3000	3000	6	6	3000
	4500	2215	5115	5720	1600	995	6	6	3000	3000	6	6	3000
	4700	2265	5315	5920	1650	1045	6	6	3000	3000	6	6	3000
	5000	2425	5615	6220	1810	1205	6	6	2600	2750	6	6	2950
	5500	2615	6115	6720	2000	1395	6	6	1900	2050	6	6	2650
6000	2865	6615	7220	2250	1645	6	6	1500	1650	6	6	2050	
6500	3115	7115	7720	2500	1895	—	—	—	—	6	6	1600	
7000	3365	7615	8220	2750	2145	—							

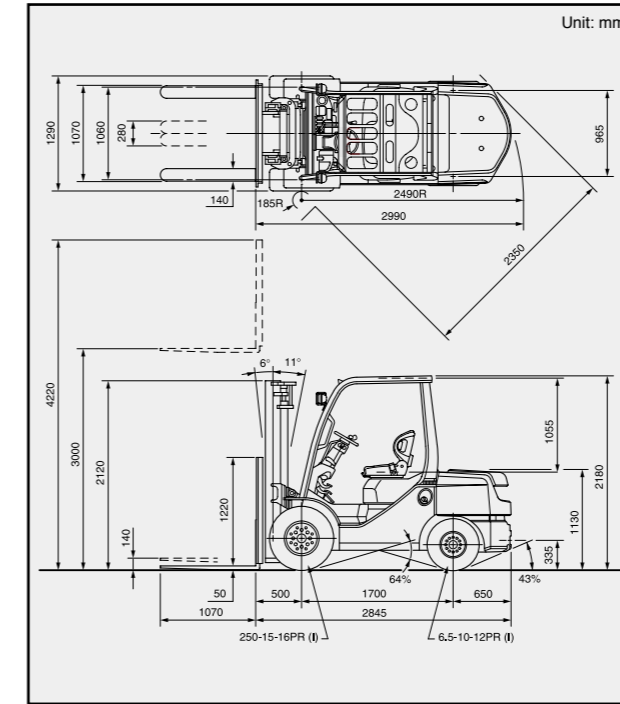
MAIN VEHICLE SPECIFICATIONS

Characteristics	TOYOTA		TOYOTA		TOYOTA		1				
	30-8FGJ35	32-8FGJ35	62-8FDJ35	70-8FDJ35	72-8FDJ35	2					
1 Manufacturer	TOYOTA						1				
2 Model	TOYOTA						2				
3 Load Capacity	3500						3				
4 Load Center	500						4				
5 Power Type	Gasoline						5				
6 Operator Position	Rider Seated						6				
7 Tire Type	Pneumatic						7				
8 Wheels (x = driven)	2x/2						8				
9 Maximum Fork Height (MFH)	3000						9				
10 Free Lift	140						10				
13 Fork Size	50x140x1070						13				
Fork Spread (Outside)	1070/280										
14 Tilt Range	FWD/BWD deg 6/11						14				
15 Length to Fork Face	2845						15				
16 Overall Width	1290						16				
17 Mast Lowered Height	2120						17				
18 Mast Extended Height	4220						18				
19 Overhead Guard Height	2180						19				
21 Turning Radius (Outside)	2490						21				
22 Load Distance (Centerline of front axle to front face of forks)	500						22				
Rear Overhang	650										
23 Basic Right Angle Stacking Aisle Width (Add load length and clearance)	2990						23				
Performance	24	Travel, Max. (FWD/RVS)	Full Load	km/h	19.0/19.0	19.0/19.0	18.0/18.0	19.0/19.0	19.0/19.0	24	
			No Load	km/h	19.5/19.5	19.5/19.5	18.5/18.5	19.5/19.5	19.5/19.5		
	25	Speeds	Lifting	Full Load	mm/sec	410	410	410	440	440	25
				No Load	mm/sec	450	450	450	460	460	
		Lowering	Full Load	mm/sec	500	500	500	500	500	26	
			No Load	mm/sec	450	450	450	450	450		
	28	Max. Drawbar Pull	Full Load	N (kg)	16500 (1680)	17000 (1730)	18600 (1900)	19500 (1990)	18500 (1890)	28	
			No Load	N (kg)	10500 (1070)	10500 (1070)	10600 (1080)	10700 (1090)	10700 (1090)		
	29	Max. Drawbar Pull at 1.5km/h *	Full Load	N (kg)	—	13900 (1420)	16500 (1680)	—	16000 (1630)		
			No Load	N (kg)	—	—	—	—	—		
	30	Gradeability at 1.5 km/h *	Full Load	% (tanθ)	—	19	20	—	20	29	
			No Load	% (tanθ)	20	21	22	24	22		
31	Max. Gradeability *	Full Load	% (tanθ)	18	18	19	19	19	30		
		No Load	% (tanθ)	—	—	—	—	—			
Weight	32 Total Weight		kg	4770	4810	4870	4870	4870	32		
	33	Weight Distribution	Full Load	Front	kg	7200	7210	7240	7240	33	
			Rear	kg	1070	1100	1130	1130			
	34	No Load	Front	kg	1640	1680	1680	1680	34		
			Rear	kg	3130	3150	3190	3190			
	35	Tires		Number	Front/Rear	2/2	2/2	2/2	35		
36	Size	Front		250-15-16PR (I)	250-15-16PR (I)	250-15-16PR (I)	250-15-16PR (I)	36			
		Rear		6.5-10-12PR (I)	6.5-10-12PR (I)	6.5-10-12PR (I)	6.5-10-12PR (I)				
37	Wheelbase		mm	1700	1700	1700	1700	37			
Wheels and Tires	39	Tread	Front	mm	1060	1060	1060	1060	39		
			Rear	mm	965	965	965	965			
	Backrest Height	mm	1220	1220	1220	1220					
	Overhead Guard Clearance	mm	1055	1055	1055	1055					
	Counterweight Height	mm	1130	1130	1130	1130					
	Drawbar Pin Center Height	mm	335	335	335	335					
Drive Unit and Control	40		Step Height/Floor Height	mm	505/745	505/745	505/745	505/745			
	41	Underclearance (Full Load)	Min. <Mast>	mm	130	130	130	130	40		
			Center of Wheelbase	mm	190	190	190	190	41		
	42	Grade Clearance	Frame/Counterweight	% (tanθ)	64/43	64/43	64/43	64/43	42		
			Service (Foot)		Hydraulic	Hydraulic	Hydraulic	Hydraulic			
	43	Brake	Parking		Hand	Foot	Hand	Foot	43		
			Battery	Voltage/Capacity (5HR)	V/AH	12/27	12/55	12/64	12/64	45	
	49	Make/Model			TOYOTA/4Y	TOYOTA/1DZ-II [1DZ-III] **	TOYOTA/2Z ***	TOYOTA/2Z ***	49		
			Rated Power/r.p.m.	kW (JIS ps)	43/2600 (58/2600)	44 (60) /2600 [41 (55) /2500]	49/2200 (66/2200)	49/2200 (66/2200)	50		
	51	Internal Combustion Engine	Rated Torque/r.p.m.	N-m (JIS kg-m)	162/1800 (16.5/1800)	167 (17.0) /1600 [157 (16.0) /2500]	216/1600 (22.0/1600)	216/1600 (22.0/1600)	51		
			Number of Cylinder		4	4	4	4			
	52	Piston Displacement		cc	2237	2486	3469	3469	52		
Fuel Tank Capacity			liter	60	60	60	60				
55	Transmission	Type		Manual Powershift	Powershift	Manual Powershift	Manual Powershift	55			
		Stage	FWD/RVS	2/2	1/1	1/1	2/2 1/1				
57	Operating Pressure		For Attachments	Mpa (kg/cm²)	15.7 (160)	15.7 (160)	15.7 (160)	57			

NOTE: * Computed values.
 ** 1DZ-II: Non-road Mobile Machinery (97/68/EC; Stage II) EPA Non-road Diesel Emissions (40 CFR Part 89; Interim Tier 2).
 1DZ-III: Non-road Mobile Machinery (97/68/EC; Stage IIIA) EPA Non-road Diesel Emissions (40 CFR Part 1039; Interim Tier 4).
 *** 2Z: Non-road Mobile Machinery (97/68/EC; Stage I).

The data in this publication was determined based on our standard testing condition. Operating performance may vary depending on the actual specification and condition of the vehicle as well as the condition of the operating area.

DIMENSIONAL DRAWINGS



SPECIAL TREAD

Front Tire Single/Dual	Dual	Dual
Front Tire Size	6.00-15-10PR (I)	28x8-15-12PR (I)
Overall Width	mm 1525	1715
Tread, Front	mm 1155	1290

UNDERCLEARANCE mm

Mast (Full Load)	130
Drive Axle (Full Load)	140
Steer Axle (No Load)	180
Center of Wheelbase (Full Load)	190
Counterweight (No Load)	170

MAST SPECIFICATIONS & RATED CAPACITIES

Mast Type	Maximum Fork Height	Overall Height				Free Lift		Tilt Range		Single Tire		Dual Tire	
		Lowered	Extended		Without Load Backrest	With Standard Load Backrest	FWD	BWD	Load Capacity at 500 mm LC		Tilt Range		
			Without Load Backrest	With Standard Load Backrest					Pneumatic Tire	Pneumatic-Shaped Cushion Tire	FWD	BWD	Pneumatic Tire/Pneumatic-Shaped Cushion Tire
Wide Visible Full-Free Lift Mast (V)	2700	2000	3570	3920	140	140	6	11	3500	3500	6	11	3500
	3000	2120	3870	4220	140	140	6	11	3500	3500	6	11	3500
	3300	2300	4170	4520	140	140	6	11	3500	3500	6	11	3500
	3500	2400	4370	4720	140	140	6	11	3500	3500	6	11	3500
	3700	2500	4570	4920	140	140	6	11	3500	3500	6	11	3500
	4000	2750	4870	5220	140	140	6	11	3500	3500	6	11	3500
Wide Visible Full-Free Lift Two-Stage Mast (FV)	4500	3000	5370	5720	140	140	6	6	3500	3500	6	6	3500
	5000	3250	5670	6020	140	140	6	6	3300	3400	6	6	3400
	3000	2120	3735	4220	1395	910	6	11	3500	3500	6	11	3500
	3300	2300	4035	4520	1575	1090	6	11	3500	3500	6	11	3500
	3500	2400	4235	4720	1675	1190	6	11	3500	3500	6	11	3500
	3700	2500	4435	4920	1775	1290	6	11	3500	3500	6	11	3500
Wide Visible Full-Free Lift Three-Stage Mast (FV)	4000	2750	4735	5220	2025	1540	6	11	3500	3500	6	11	3500
	3700	2030	4435	4920	1305	820	6	6	3500	3500	6	6	3500
	4000	2180	4735	5220	1455	970	6	6	3500	3500	6	6	3500
	4300	2230	5035	5520	1505	1020	6	6	3500	3500	6	6	3500
	4500	2280	5235	5720	1555	1070	6	6	3400	3400	6	6	3400
	4700	2440	5435	5920	1715	1230	6	6	3400	3400	6	6	3400
	5000	2630	5735	6220	1905	1420	6	6	3300	3300	6	6	3300
	5500	2880	6235	6720	2155	1670	6	6	2700	2850	6	6	3200
6000	3130	6735	7220	2405	1920	6	6	2000	2150	6	6	2400	
6500	3380	7235	7720	2655	2170	—	—	—	—	6	6	1650	
7000	3630	7735	8220	2905	2420	—	—	—	—	6	6	900	

NOTE: Height of standard load backrest is 1220 mm.

RATED CAPACITIES

Unit: kg (W)

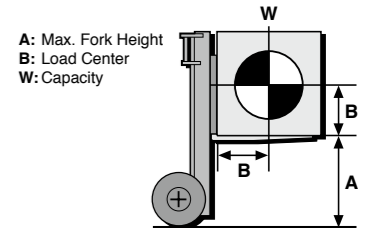
V, FV Mast (PN)			V, FV Mast (PSC)		
A (mm)	4500	5000	A (mm)	4500	5000
500	3500	3300 (3400)	500	3500	3400
600	3180	3000 (3090)	600	3180	3090
700	2920	2750 (2840)	700	2920	2840
800	2700	2550 (2620)	800	2700	2620
900	2510	2370 (2440)	900	2510	2440
1000	2340	2210 (2280)	1000	2340	2280
1100	2200	2070 (2140)	1100	2200	2140
1200	2070	1950 (2010)	1200	2070	2010
1300	1960	1840 (1900)	1300	1960	1900

[] for dual tire models.

FSV Mast (PN or PSC)

A (mm)	4300	4500	4700	5000	5500	6000	6500	7000
500	3500	3400	3400	3300	2700 (3200)	2000 (2400)	—	—
600	3190	3100	3100	3000	2460 (2910)	1820 (2180)	—	—
700	2930	2840	2840	2760	2260 (2680)	1670 (2010)	—	—
800	2710	2630	2630	2550	2090 (2480)	1550 (1860)	—	—
900	2520	2450	2450	2380	1940 (2300)	1440 (1730)	—	—
1000	2350	2290	2290	2220	1820 (2150)	1340 (1610)	—	—
1100	2210	2150	2150	2080	1700 (2020)	1260 (1510)	—	—
1200	2080	2020	2020	1960	1610 (1900)	1190 (1430)	—	—
1300	1970	1910	1910	1860	1520 (1800)	1120 (1350)	—	—

[] for dual tire models.



STANDARD EQUIPMENT

8FG10. 15. 18. 20. 25. 30, 8FGJ35 8FGK20.25.30

- Wide Visible Mast (V) [MFH: 3,000 mm]
- Load backrest (V and FSV masts)
[Height: 1,220 mm]
- Easy-down system (V mast)
- Alternator with IC regulator
- Same key for multiple forklifts
- 7" cyclone air cleaner with snorkel air intake
- Radiator reservoir tank
- Operator Presence Sensing System (OPS)
- Double-action parking brake
[Manual transmission models]
- Foot-activated parking brake
[Powershift transmission models]
- Assist grip
- Neutral safety switch
- Electronic shift control
- Full hydraulic power steering
- Overhead guard sheet
- Overhead guard
- Rain gutter
- Hidden tilt cylinder
- Tilt cylinder boots
- Tilt steering column
- Engine hood damper (lockable)
- Jack point
- Drawbar pin
- Engine hood insulation
- Headlights
- Headlights guard
- Integrated light & Turn signal switch
- Hour meter
- Engine water temperature indicator
- All-time fuel meter
- Engine oil pressure warning light
- Charge warning light
- Electric horn
- Storage area

8FD10. 15. 18. 20. 25. 30, 8FDJ35 8FDK20.25.30

- Wide Visible Mast (V) [MFH: 3,000 mm]
- Load backrest (V and FSV masts)
[Height: 1,220 mm]
- Easy-down system (V mast)
- Alternator with IC regulator
- Intake heater (2Z engine models)
- Super glow control system
(1DZ-II/1DZ-III engine models)
- Sedimenter
- Same key for multiple forklifts
- 7" cyclone air cleaner with snorkel air intake
- Radiator reservoir tank
- Operator Presence Sensing System (OPS)
- Double-action parking brake
[Manual transmission models]
- Foot-activated parking brake
[Powershift transmission models]
- Assist grip
- Neutral safety switch
- Electronic shift control
- Full hydraulic power steering
- Overhead guard sheet
- Overhead guard
- Rain gutter
- Hidden tilt cylinder
- Tilt cylinder boots
- Tilt steering column
- Engine hood damper (lockable)
- Jack point
- Drawbar pin
- Engine hood insulation
- Headlights
- Headlights guard
- Integrated light & Turn signal switch
- Hour meter
- Engine water temperature indicator
- All-time fuel meter
- Engine oil pressure warning light
- Charge warning light
- Pre-heat indicator light
- Sedimenter warning light
- Electric horn
- Storage area

Availability and specifications are determined by market and are subject to change without notice.
Please consult your Toyota representative for details.

All rights reserved by Toyota Industries Corporation.



TOYOTA MATERIAL HANDLING INTERNATIONAL

S.S.8FG/8FD10-35/E-1701/©/Printed in Japan/No.720680E0/1,000