

# 4FD150.180

# 4FD200.230

## MAIN VEHICLE SPECIFICATIONS

(June 2017)

1	Manufacturer			TOYOTA	TOYOTA	TOYOTA	TOYOTA	
2	Model			<b>4FD150</b>	<b>4FD180</b>	<b>4FD200</b>	<b>4FD230</b>	
3	Load Capacity	kg		15000	18000	20000	23000	
4	Load Center	mm		900	900	900	900	
5	Power Type			Diesel	Diesel	Diesel	Diesel	
6	Operator Position			Rider Seated	Rider Seated	Rider Seated	Rider Seated	
7	Tire Type	Front/Rear		Pneumatic	Pneumatic	Pneumatic	Pneumatic	
8	Wheels (x = driven)	Front/Rear		4x/2	4x/2	4x/2	4x/2	
9	Maximum Fork Height (MFH)	mm		3000	3000	3000	3000	
10	Free Lift	mm		0	0	0	0	
13	Fork Size	TxWxL	mm	90x250x1820	95x250x1820	100x250x1820	100x310x2440	
	Fork Spread (Outside)	MAX./MIN.	mm	2750/590	2750/590	2750/590	2750/720	
14	Tilt Range	FWD/BWD	deg	6/12	6/12	6/12	6/12	
15	Length to Fork Face		mm	5265	5290	5370	5545	
16	Overall Width		mm	2935	2960	3040	3045	
17	Mast Lowered Height		mm	3290	3550	3580	3650	
18	Mast Extended Height		mm	4790	5050	5080	5150	
19	Overhead Guard Height		mm	3400	3430	3465	3465	
21	Turning Radius (Outside)		mm	4950	4950	5000	5200	
22	Load Distance (Centerline of front axle to front face of forks)		mm	880	905	945	945	
	Rear Overhang		mm	735	735	775	950	
23	Basic Right Angle Stacking Aisle Width (Add load length and clearance)		mm	5830	5855	5945	6145	
24	Speeds	Travel, Max. (FWD/RVS)	Full Load	km/h [1st]	[15] 27/22	[15] 27/23	[16] 28/23	[16] 27/23
No Load			km/h [1st]	[17] 32/25	[17] 32/26	[18] 34/27	[18] 33/27	
Lifting		Full Load	mm/sec	410	340	335	280	
		No Load	mm/sec	440	375	370	320	
Lowering	Full Load	mm/sec	450	450	460	470		
	No Load	mm/sec	500	500	500	500		
28	Max. Drawbar Pull	Full Load	kN	132	125	117	119	
No Load		kN	69.6	73.9	73.6	81.2		
29	Gradeability at 1.5 km/h *	Full Load	% (tanθ)	24	20	17	15	
No Load		% (tanθ)	39	31	26	23		
30	Max. Gradeability *	Full Load	% (tanθ)	27	26	24	23	
No Load		% (tanθ)	27	26	24	23		
32	Total Weight		kg	22000	25000	26740	31010	
33	Weight Distribution	Full Load	Front	kg	33850	39250	42530	49120
Rear			kg	3150	3750	4210	4890	
No Load		Front	kg	11550	12350	12410	14480	
		Rear	kg	10450	12650	14330	16530	
35	Tires	Number	Front/Rear		4/2	4/2	4/2	
36		Size	Front		12.00-24-16PR (I)	13.00-24-20PR (I)	14.00-24-20PR (I)	14.00-24-24PR (I)
37		Rear		12.00-24-16PR (I)	13.00-24-20PR (I)	14.00-24-20PR (I)	14.00-24-24PR (I)	
38	Wheelbase		mm	3650	3650	3650	3650	
39	Tread	Front	mm	2200	2200	2200	2200	
Rear		mm	2400	2400	2500	2500		
	Overhead Guard Clearance		mm	1080	1080	1080	1080	
	Counterweight Height		mm	1755	1785	1820	1815	
	Drawbar Pin Center Height		mm	435	465	500	500	
40	Underclearance	Min.	mm	225 <Drive Axle>	220 <Mast>	250 <Mast>	225 <Mast>	
41	(Full Load)	Center of Wheelbase	mm	315	340	370	375	
	Grade Clearance	Frame/Counterweight	% (tanθ)	42/60	46/69	50/60	50/43	
42	Brake	Service (Foot)		Air Over Hydraulic	Air Over Hydraulic	Air Over Hydraulic	Air Over Hydraulic	
43		Parking		Hand	Hand	Hand	Hand	
45	Battery	Voltage/Capacity (5HR)	V/AH	24/96	24/96	24/96	24/96	
49	Internal Combustion Engine	Make/Model		HINO J08E-UM	HINO J08E-UM	HINO J08E-UM	HINO J08E-UM	
50		Rated Power/r.p.m.	kW	128/2300	128/2300	128/2300	128/2300	
51		Rated Torque/r.p.m.	N-m	640/1600	640/1600	640/1600	640/1600	
52		Number of Cylinder		6	6	6	6	
	Piston Displacement	cc	7684	7684	7684	7684		
	Fuel Tank Capacity	liter	400	400	400	400		
55	Transmission	Type		Powershift	Powershift	Powershift	Powershift	
57		Stage	FWD/RVS		2/1	2/1	2/1	
57	Operating Pressure	For Attachments	Mpa(kg/cm <sup>2</sup> )	20.6 (210)	18.1 (185)	20.6 (210)	20.6 (210)	

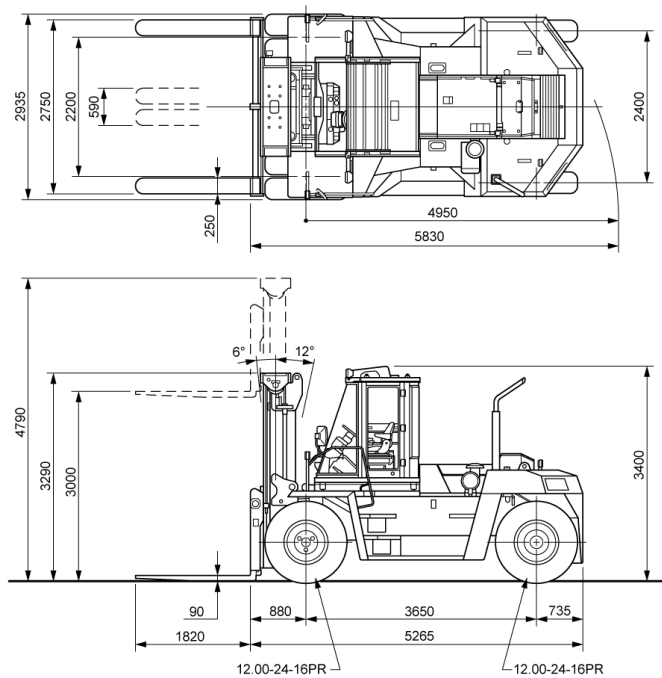
NOTE: \* Computed values.

# DIMENSIONAL DRAWINGS

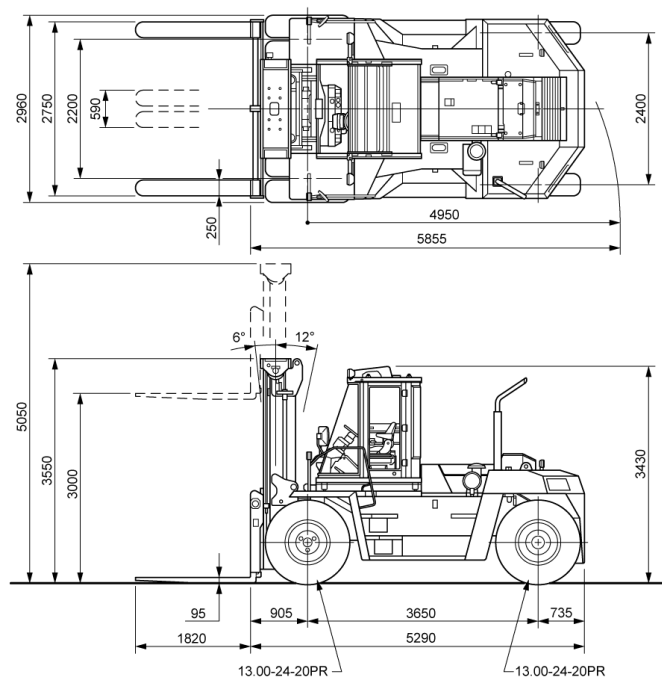
(October 2008)

Unit: mm

## 4FD150



## 4FD180

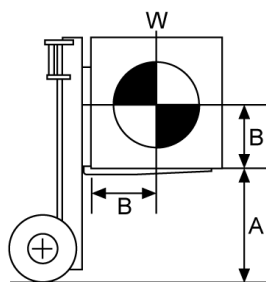


### UNDERCLEARANCE

Model	4FD150	4FD180
Mast (Full Load)	260	220
Drive Axle (Full Load)	225	245
Steer Axle (No Load)	335	355
Center of Wheelbase (Full Load)	315	340
Counterweight (No Load)	295	310

**RATED CAPACITIES**

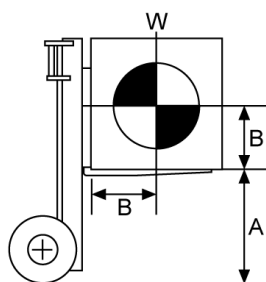
(October 2008)

**4FD150**

**A:** Max. Fork Height  
**B:** Load Center  
**W:** Capacity

**V Mast**Unit: kg (**W**)

<b>A</b> (mm)	5000	5500	6000	
900	15000	14000	13000	
1000	14200	13200	12300	
1100	13400	12500	11600	
1200	12800	11900	11100	
<b>B</b> (mm)	1300	12200	11400	10600
1400	11700	10900	10100	
1500	11200	10400	9700	
1600	10700	10000	9300	
1700	10300	9600	8900	
1800	9900	9200	8600	

**4FD180**

**A:** Max. Fork Height  
**B:** Load Center  
**W:** Capacity

**V Mast**Unit: kg (**W**)

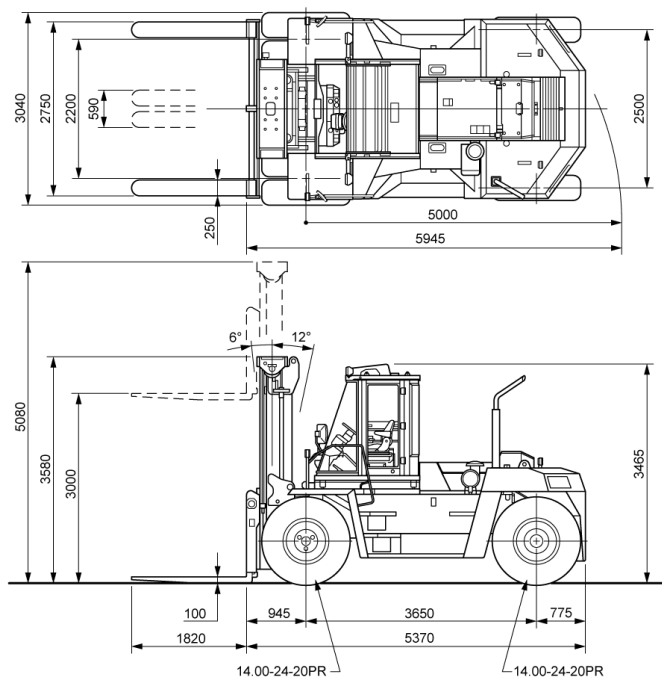
<b>A</b> (mm)	5000	5500	6000	
900	18000	16000	15000	
1000	17000	15100	14200	
1100	16200	14400	13500	
1200	15400	13700	12800	
<b>B</b> (mm)	1300	14700	13000	12200
1400	14000	12500	11700	
1500	13500	12000	11200	
1600	12900	11500	10800	
1700	12400	11000	10300	
1800	12000	10600	10000	

# DIMENSIONAL DRAWINGS

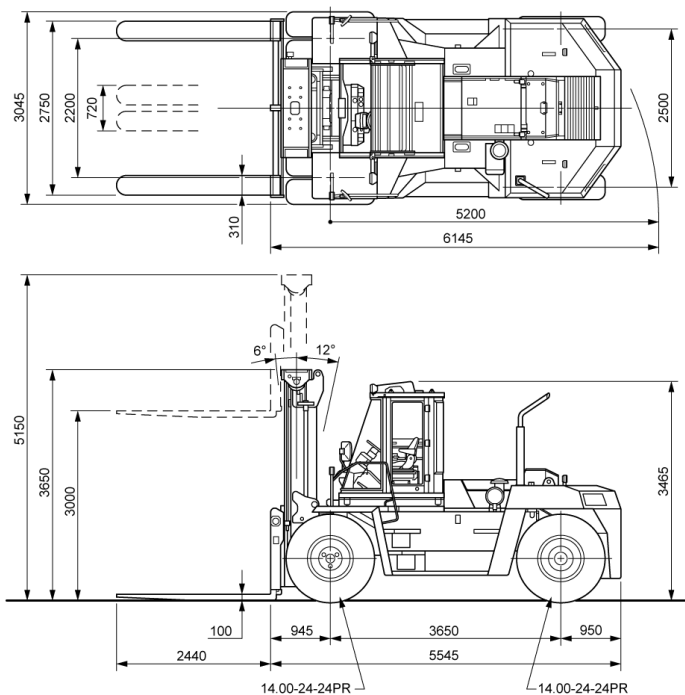
(October 2008)

Unit: mm

## 4FD200



## 4FD230

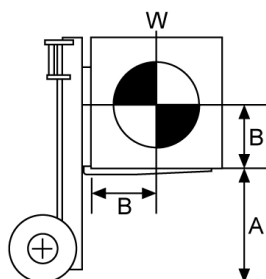


### UNDERCLEARANCE

Model	4FD200	4FD230
Mast (Full Load)	250	225
Drive Axle (Full Load)	275	280
Steer Axle (No Load)	355	355
Center of Wheelbase (Full Load)	370	375
Counterweight (No Load)	295	300

**RATED CAPACITIES**

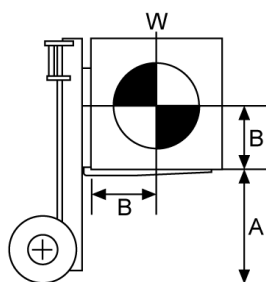
(October 2008)

**4FD200**

**A:** Max. Fork Height  
**B:** Load Center  
**W:** Capacity

**V Mast**Unit: kg (**W**)

A (mm)	5000	5500	6000
900	20000	18000	17000
1000	18900	17000	16100
1100	18000	16200	15300
1200	17200	15400	14600
1300	16400	14700	13900
1400	15700	14100	13300
1500	15000	13500	12800
1600	14400	13000	12300
1700	13900	12500	11800
1800	13400	12000	11400

**4FD230**

**A:** Max. Fork Height  
**B:** Load Center  
**W:** Capacity

**V Mast**Unit: kg (**W**)

A (mm)	5000	5500	6000
900	23000	21000	20000
1000	21800	19900	18900
1100	20700	18900	18000
1200	19700	18000	17200
1300	18900	17200	16400
1400	18000	16500	15700
1500	17300	15800	15000
1600	16600	15200	14400
1700	16000	14600	13900
1800	15400	14100	13400

**MAST SPECIFICATIONS & RATED CAPACITIES**

(June 2004)

Wide Visible Mast (V), Wide Visible Full-Free Lift Two-Stage Mast (FV), Wide Visible Full-Free Lift Three Stage Mast (FSV)

**4FD150**

Mast Type	Maximum Fork Height	Overall Height		Free Lift	Dual Tire		
		Lowered	Extended		Tilt Range		Load Capacity at 900 mm
					FWD	BWD	
mm	mm	mm	mm	deg	deg	kg	
V	3000	3290	4790	0	6	12	15000
	3300	3440	5090	0	6	12	15000
	3500	3540	5290	0	6	12	15000
	3700	3640	5490	0	6	12	15000
	4000	3790	5790	0	6	12	15000
	4500	4040	6290	0	6	12	15000
	5000	4490	6990	0	6	12	15000
	5500	4740	7490	0	6	12	14000
6000	4990	7990	0	6	12	13000	

**4FD180**

Mast Type	Maximum Fork Height	Overall Height		Free Lift	Dual Tire		
		Lowered	Extended		Tilt Range		Load Capacity at 900 mm
					FWD	BWD	
mm	mm	mm	mm	deg	deg	kg	
V	3000	3550	5050	0	6	12	18000
	3300	3700	5350	0	6	12	18000
	3500	3800	5550	0	6	12	18000
	3700	3900	5750	0	6	12	18000
	4000	4050	6050	0	6	12	18000
	4500	4300	6550	0	6	12	18000
	5000	4750	7250	0	6	12	18000
	5500	5000	7750	0	6	12	16000
6000	5250	8250	0	6	12	15000	

**4FD200**

Mast Type	Maximum Fork Height	Overall Height		Free Lift	Dual Tire		
		Lowered	Extended		Tilt Range		Load Capacity at 900 mm
					FWD	BWD	
mm	mm	mm	mm	deg	deg	kg	
V	3000	3580	5080	0	6	12	20000
	3300	3730	5380	0	6	12	20000
	3500	3830	5580	0	6	12	20000
	3700	3930	5780	0	6	12	20000
	4000	4080	6080	0	6	12	20000
	4500	4330	6580	0	6	12	20000
	5000	4780	7280	0	6	12	20000
	5500	5030	7780	0	6	12	18000
6000	5280	8280	0	6	12	17000	

**4FD230**

Mast Type	Maximum Fork Height	Overall Height		Free Lift	Dual Tire		
		Lowered	Extended		Tilt Range		Load Capacity at 900 mm
					FWD	BWD	
mm	mm	mm	mm	deg	deg	kg	
V	3000	3650	5150	0	6	12	23000
	3300	3800	5450	0	6	12	23000
	3500	3900	5650	0	6	12	23000
	3700	4000	5850	0	6	12	23000
	4000	4150	6150	0	6	12	23000
	4500	4400	6650	0	6	12	23000
	5000	4850	7350	0	6	12	23000
	5500	5100	7850	0	6	12	21000
6000	5350	8350	0	6	12	20000	

# 4FD240

## MAIN VEHICLE SPECIFICATIONS

(October 2008)

1	Manufacturer			TOYOTA
2	Model			<b>4FD240</b>
3	Load Capacity		kg	24000
4	Load Center		mm	1250
5	Power Type			Diesel
6	Operator Position			Rider Seated
7	Tire Type	Front/Rear		Pneumatic
8	Wheels (x = driven)	Front/Rear		4x/2
9	Maximum Fork Height (MFH)		mm	3000
10	Free Lift		mm	0
13	Fork Size	TxWxL	mm	105x310x2440
	Fork Spread (Outside)	MAX./MIN.	mm	2750/740
14	Tilt Range	FWD/BWD	deg	6/12
15	Length to Fork Face		mm	6315
16	Overall Width		mm	3045
17	Mast Lowered Height		mm	3700
18	Mast Extended Height		mm	5200
19	Overhead Guard Height		mm	3560
21	Turning Radius (Outside)		mm	5900
22	Load Distance (Centerline of front axle to front face of forks)		mm	965
	Rear Overhang		mm	950
23	Basic Right Angle Stacking Aisle Width (Add load length and clearance)		mm	6865
24	Speeds	Travel, Max. (FWD/RVS)	Full Load	km/h [1st] [15] 27/23
			No Load	km/h [1st] [17] 32/26
		Lifting	Full Load	mm/sec 290
			No Load	mm/sec 310
26	Lowering	Full Load	mm/sec 420	
		No Load	mm/sec 420	
28	Max. Drawbar Pull		Full Load	kN 152
			No Load	kN 95.5
29	Gradeability at 1.5 km/h *		Full Load	% (tanθ) 19
30	Max. Gradeability *		Full Load	% (tanθ) 28
			No Load	% (tanθ) 25
32	Total Weight			kg 32940
33	Weight Distribution	Full Load	Front	kg 51890
			Rear	kg 5050
34		No Load	Front	kg 15820
			Rear	kg 17120
35	Tires		Number	Front/Rear 4/2
36	Size	Front		14.00-24-24PR (I)
37		Rear		14.00-24-24PR (I)
38	Wheelbase		mm	4400
39	Tread	Front	mm	2200
		Rear	mm	2500
	Overhead Guard Clearance		mm	1080
	Counterweight Height		mm	1810
	Drawbar Pin Center Height		mm	490
40	Underclearance	Min.	mm	255 <Mast>
41	(Full Load)	Center of Wheelbase	mm	370
	Grade Clearance	Frame/Counterweight	% (tanθ)	40/43
42	Brake	Service (Foot)		Air Over Hydraulic
43		Parking		Hand
45	Battery		V/AH	24/96
49	Make/Model			HINO J08E-TM
50	Rated Horsepower/r.p.m.		kW	159/2300
51	Rated Torque/r.p.m.		N-m	750/1600
52	Number of Cylinder			6
	Piston Displacement		cc	7684
	Fuel Tank Capacity		liter	600
55	Transmission	Type		Powershift
		Stage	FWD/RVS	
57	Operating Pressure		For Attachments	Mpa(kg/cm <sup>2</sup> ) 20.6 (210)

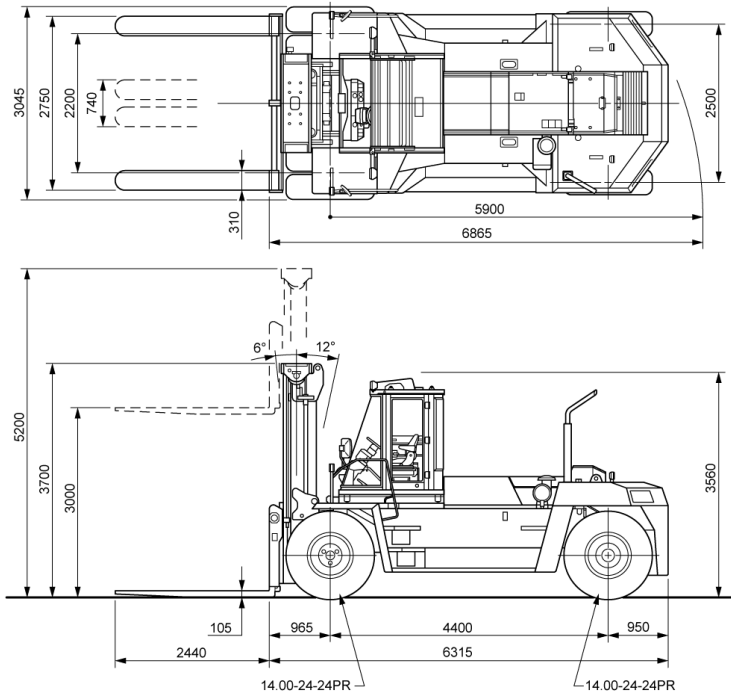
NOTE: \* Computed values.

# DIMENSIONAL DRAWINGS

(October 2008)

Unit: mm

## 4FD240



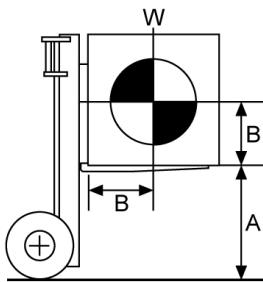
### UNDERCLEARANCE

Mast (Full Load)-----	255
Drive Axle (Full Load)-----	280
Steer Axle (No Load)-----	355
Center of Wheelbase (Full Load)-----	370
Counterweight (No Load)-----	295

# RATED CAPACITIES

(October 2008)

## 4FD240



- A: Max. Fork Height
- B: Load Center
- W: Capacity

### V Mast

Unit: kg (W)

A (mm)	5500	6000
1250	24000	21000
1300	23400	20500
1400	22400	19600
1500	21500	18800
1600	20700	18100
B (mm)		
1700	19900	17400
1800	19200	16800
1900	18500	16200
2000	17900	15600
2100	17300	15100



**MAST SPECIFICATIONS & RATED CAPACITIES**

(March 2005)

Wide Visible Mast (V)

**4FD240**

Mast Type	Maximum Fork Height	Overall Height		Free Lift	Dual Tire		
		Lowered	Extended		Tilt Range		Load Capacity at 1250 mm
					FWD	BWD	
mm	mm	mm	mm	deg	deg	kg	
V	3000	3700	5200	0	6	12	24000
	3300	3850	5500	0	6	12	24000
	3500	3950	5700	0	6	12	24000
	3700	4050	5900	0	6	12	24000
	4000	4200	6200	0	6	12	24000
	4500	4450	6700	0	6	12	24000
	5000	4900	7400	0	6	12	24000
	5500	5150	7900	0	6	12	24000
	6000	5400	8400	0	6	12	21000

# 4FD150.180.200.230.240

## STANDARD EQUIPMENT

(June 2013)

### 4FD150.180.200.230.240

● Wide Visible Mast (V) [MFH: 3000 mm] ● Operator presence sensing system (OPS) ● Fully oil charged lift cylinder ● Manual fork shifter (A31) ● Hydraulic pilot type short lever ● Engine key stop device ● Upswept Exhaust ● Quick-glow system ● Hour meter ● Fuel meter ● Fuel warning light ● Engine coolant level warning light ● Engine oil pressure warning light ● Clogged air cleaner warning light ● Charge warning light ● Torque converter oil temperature warning light ● Engine warning light ● Pre-heat indicator light ● Sedimenter warning light ● Brake warning light ● Active steering synchronizer warning light ● Engine water temperature indicator ● Speedometer ● Brake air pressure indicator ● Left hand shift lever ● Air horn ● Neutral safety switch ● Tilt Steering column ● Full hydraulic power steering with active steering synchronizer ● Electric parking brake ● Parking brake on alarm ● Two-stator torque converter ● Wet disc brake ● Brake air dryer ● Multifunction deluxe seat with seat belt ● Fuel tank cap with key ● Pillar-less deluxe cabin ● Tilting cabin ● Air-conditioner ● Rear-view mirror (Right and Left sides) ● Room mirror ● Headlights ● Key off headlight and other electric components ● Turn signal lights (4 lights) ● Rear combination lights ● Back-up lights ● Rear working lights (2 lights) ● Room working light ● Back-up buzzer ● All wheel interchangeable tires

## OPTIONS AVAILABILITY CHART

(January 2023)

●: Available

Item	Code	Model					
		4FD150	4FD180	4FD200	4FD230	4FD240	
<b>LOAD HANDLING</b>							
Long Forks	☆	M20A*	●	●	●	●	●
Mast Tilt Indicator		N14A	●	●	●	●	●
<b>ENGINE</b>							
Cyclone Air Cleaner (Dual Elements)		C15B	●	●	●	●	●
Pre-cleaner		C16A	●	●	●	●	●
Engine Oil Quick Drain		D33A	●	●	●	●	●
High Capacity Battery	★	D20A	●	●	●	●	●
Long Life Coolant 50%		C19B	●	●	●	●	●
<b>LIGHT AND INDICATORS</b>							
Front Working Light		J27A	●	●	●	●	●
Front Working Light on the Diff. Housing	1)	J32B	●	●	●	●	●
Reading Lamp	★	J37A	●	●	●	●	●
LED Yellow Beacon on the Counterweight	★	J18T	●	●	●	●	●
Strobe Light	On the Overhead Guard	★	J19I	●	●	●	●
	On the Counterweight	★	J19J	●	●	●	●
License-plate Light and Bracket	★	J08A	●	●	●	●	●
Extra High-pitch Back-up Buzzer	★	K21F	●	●	●	●	●
Back-up Buzzer with On-Off Switch	★	K21K	●	●	●	●	●
Loudspeaker	★	K28A	●	●	●	●	●
Automatic Mode Change System		E10H	●	●	●	●	●
Manual Mode Change Switch		E10J	●	●	●	●	●
<b>BODY</b>							
Rear-under Mirror		J13A	●	●	●	●	●
Swivel Seat		G41F	●	●	●	●	●
Overhead Guard	★	H00I	●	●	●	●	●
Overhead Guard Sheet	2)	H01B	●	●	●	●	●
Heater	★	H11A	●	●	●	●	●
Window Visor RH & LH	★	H29B	●	●	●	●	●
Right-Hand Shift Lever		E11B	●	●	●	●	●
Backward 2-mode Transmission	3)	☆	E12B	●	●	●	●
Front Mud Guard		G10B	●	●	●	●	●
Rear Mud Guard		G11A	●	●	●	●	●
Guard on Counterweight	13)	★	G39A	●	●	●	●
Name Plate	4)		S31*	●	●	●	●
OPS Decal			S35A	●	●	●	●
Rust-proof Black Paint on Axle			R09A	●	●	●	●
Warning Color (Counterweight)			R20A	●	●	●	●
Warning Color (Mast)			R21A	●	●	●	●
Body & Folks in One Color (Mast, B/R & ATT in STD Color)			R30A	●	●	●	●
Body & Folks in Two Colors (Mast, B/R & ATT in STD Color)			R30B	●	●	●	●
Body & Folks in Three Colors (Mast, B/R & ATT in STD Color)			R30C	●	●	●	●
Body & Folks in Four Colors (Mast, B/R & ATT in STD Color)			R30D	●	●	●	●
Mast, B/R & ATT in Specified Color			R40A	●	●	●	●
Certificated Label			S20C	●	●	●	●
<b>WHEELS AND TIRES</b>							
Spare Tire	5)		F30A	●	●	●	●
<b>SPECIAL MODEL</b>							

Item	Code	Model					
		4FD150	4FD180	4FD200	4FD230	4FD240	
Australian Spec. (AS2359-2015 complied)	6) ★	A20T	●	●	●	●	●
Unit Indication, Inch/lbs		A95A	●	●	●	●	●
Unit Indication, mm/kg		A95B	●	●	●	●	●
Urethane Resin Paint		R05B	●	●	●	●	●
<b>PACKING</b>							
Parts Catalog (Specified User) 1Set		S52G	●	●	●	●	●
Parts Catalog (Specified User) 2Set		S52H	●	●	●	●	●
Parts Catalog (Non-standard Item) 1Set		S53A	●	●	●	●	●
Parts Catalog (Non-standard Item) 2Set		S53B	●	●	●	●	●
Operator's Manual 1Set		T45A	●	●	●	●	●
Operator's Manual 2Set		T45B	●	●	●	●	●
Operator's Manual (Arabic) 1Set		T45G	●	●	●	●	●
Operator's Manual (Arabic) 2Set		T45H	●	●	●	●	●
Operator's Manual (Special) 1Set		T45M	●	●	●	●	●
Operator's Manual (Special) 2Set		T45O	●	●	●	●	●
Repair Manual 1Set		T46A	●	●	●	●	●
Repair Manual 2 Set		T46B	●	●	●	●	●
Export Packing (Standard)		T00B	●	●	●	●	●
Export Packing (Wooden Box)		T01A	●	●	●	●	●
Mast Packing (Wood Case)	7)	T11B	●	●	●	●	●
Mast Packing (Pallet)	8)	T11E	●	●	●	●	●
Attachment Packing (On Truck)		T18A	●	●	●	●	●
Spare Tire Packing (Pallet)	9)	T38B	●	●	●	●	●
W/O Touch-up Paint		T44N	●	●	●	●	●
W/O Window Washer Fluid	10)	T49N	●	●	●	●	●
Original Forks Packing (Separate)	11)	T90A	●	●	●	●	●
Additional Forks Packing (Separate)	12)	T91A	●	●	●	●	●

- 1) Must specify J27A.
- 2) Must specify H00I.
- 3) Must specify E10H.
- 4) Available for English, French, Russian, and Taiwanese.
- 5) Must specify T38B.
- 6) Must specify A95B, S31A and G39A.
- 7) Must enter flag "M".
- 8) Must enter flag "M".
- 9) Must enter flag "T".

- 10) Must specify either A20C or H00G or H00S or H02D.  
The countries which are applied methanol control must be specified.
- 11) Must enter flag "F".
- 12) Must enter flag "F".  
Must enter flag "X", when selecting T90A.
- 13) Must specify A20T.
- ★ Please see the "Matching Options".
- ☆ Please see the chart below for the item.

**MAST WEIGHT**

(June 2013)

Mast Type	Maximum Fork Height mm	Model				
		4FD150	4FD180	4FD200	4FD230	4FD240
		kg	kg	kg	kg	kg
V	3000	3150	3550	3550	4070	4750
	3300	3250	3650	3650	4190	4900
	3500	3300	3750	3750	4280	5000
	3700	3350	3800	3800	4370	5100
	4000	3550	4000	4000	4590	5250
	4500	3750	4150	4150	4800	5600
	5000	4050	4500	4500	5180	6100
	5500	4200	4700	4700	5390	6350
	6000	4400	4850	4850	5610	6600

**CAUTION:**

The figures are without load backrest and forks.

The figures presented in this chart have been rounded off to the nearest number.

Use caution when applying them to specific products.

**LONG FORKS**

(June 2013)

Unit: mm

Model	Length	Width	Thickness	Long Fork	Container Fork
4FD150	1820	250	90	○	
	2440	250	90		●
4FD180	1820	250	95	○	
	2440	280	95		●
4FD200	1820	250	100	○	
	2440	280	100		●
4FD230	2440	310	100		●
4FD240	2440	310	105		●

INDEX: ○ Standard / ● Available

**BACKWARD 2-MODE TRANSMISSION**

(June 2013)

		4FD150				4FD180				4FD200				4FD230				4FD240			
		STD		OPT		STD		OPT		STD		OPT		STD		OPT		STD		OPT	
		FWD	RVS	FWD	RVS	FWD	RVS	FWD	RVS	FWD	RVS	FWD	RVS	FWD	RVS	FWD	RVS	FWD	RVS	FWD	RVS
Travel Speed (No Load)	1st km/h	17	25	15	14	17	26	15	14	18	27	16	15	18	27	16	15	17	26	16	15
	2nd km/h	32	—	28	27	32	—	29	28	34	—	30	29	33	—	30	28	32	—	27	26
Max. Drawbar Pull (Full Load)	kN	132	75	140	149	125	71	133	142	117	65	125	133	119	66	127	136	152	83	150	160
Gradeability at 1.5 km/h	%	24	17	25	26	20	14	21	22	17	12	18	19	15	10	16	17	19	13	19	20
Max. Gradeability	%	39	21	41	45	31	17	33	36	26	14	28	30	23	13	25	27	28	15	28	30

**TIRE AVAILABILITY**

(November 2021)

Model	Tire Arrangement		Pneumatic Tire			
			Tire Size	Rim Size (Type)	BS	
					U-Lug	J-Lug
4FD150	Front	Dual	12.00-24-16PR (I)	24x8.50V (Side-Ring)	○	
	Rear				○	
4FD180	Front	Dual	13.00-24-20PR (I)	24x8.50V (Side-Ring)		○
	Rear					○
4FD200	Front	Dual	14.00-24-20PR (I)	24x10.00WI (Side-Ring)		○
	Rear					○
4FD230.240	Front	Dual	14.00-24-24PR (I)	24x10.00WI (Side-Ring)		○
	Rear					○

INDEX: ○ Standard

**MATCHING OPTIONS**

(January 2023)

(Column figures refer to matching with to the items listed at left)

Item	Code	1	2	3	4	5	6	7	8	9	10	11	12	13	14	15	16	17	18	
Automatic Mode Change System	E10H	1																		
Backward 2-mode Transmission	E12B	2																		
Guard on Counterweight	G39A	3																		
Overhead Guard	H00I	4																		
Overhead Guard Sheet	H01B	5																		
Heater	H11A	6			X	X														
Window Visor RH & LH	H29B	7			X	X														
License-plate Light and Bracket	J08A	8		X																
LED Yellow Beacon On The Counterweight	J18T	9																		
Yellow Strobe Light	J19I	10								X										
Strobe Light On The Counterweight	J19J	11								X	X									
Front Working Light	J27A	12																		
Front Working Light On The Diff. Housing	J32B	13																		
Reading Lamp	J37A	14			X	X														
Extra High-pitch Back-up Buzzer	K21F	15																		
Back-up Buzzer With On-off Switch	K21K	16														X				
Loudspeaker	K28A	17			X	X														
W/O Window Washer Fluid	T49N	18			X	X														

INDEX: X Not available.

NOTE: For other matching please consult us.